

THIS DRAWING IS UNPUBLISHED.

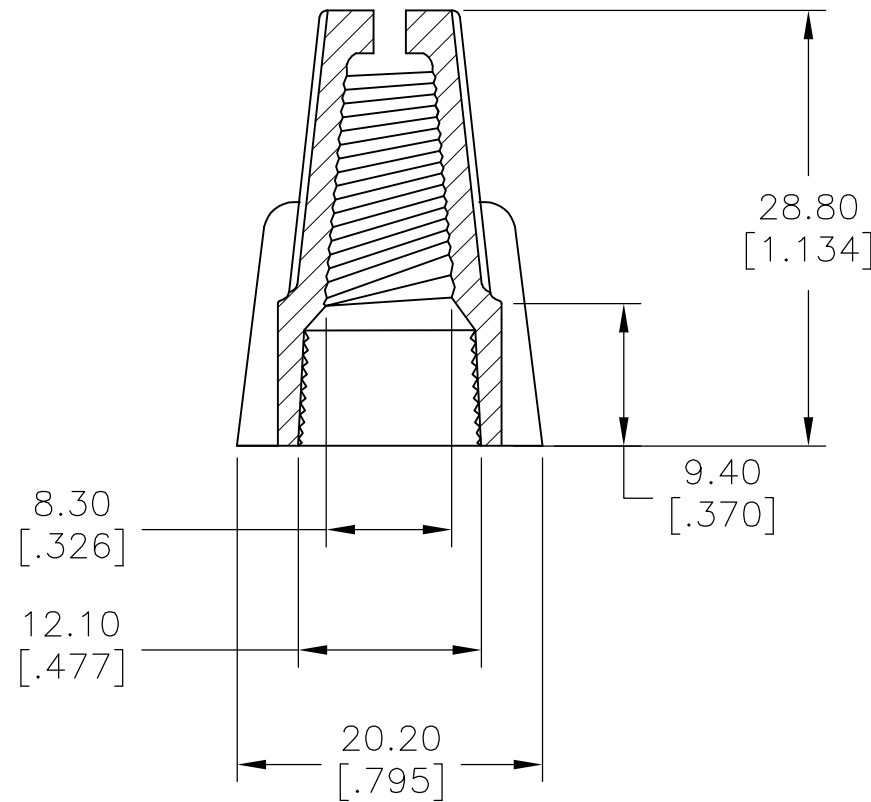
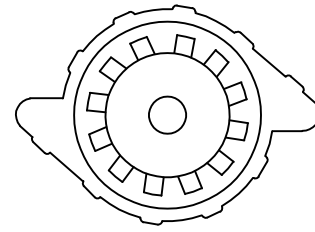
RELEASED FOR PUBLICATION

ALL RIGHTS RESERVED.

© COPYRIGHT - By -


REVISIONS

P	LTR	DESCRIPTION	DATE	DWN	APVD
	A	NEW DRAWING	13JAN2016	NK	RH



- 1 WORKING TEMPERATURE: 105° C
- 2 COLOR: GREEN
- 3 WIRE RANGE: #14-#10 AWG MAX.5#12 MIN.2#14
- 4 SPRING INSERT: STEEL

2299511-1 AS SHOWN

THIS DRAWING IS A CONTROLLED DOCUMENT.		DWN NAGALAKSHMI K 13JAN2016	 <b>TE Connectivity</b>														
DIMENSIONS: mm [INCHES]		CHK HILL RYAN 13JAN2016				NAME											
TOLERANCES UNLESS OTHERWISE SPECIFIED:		APVD HILL RYAN 13JAN2016	CPGI-WC-GG-GN-BULK														
<table border="0"> <tr> <td>0 PLC</td> <td>± -</td> </tr> <tr> <td>1 PLC</td> <td>± 0.2[.007]</td> </tr> <tr> <td>2 PLC</td> <td>± 0.4[.015]</td> </tr> <tr> <td>3 PLC</td> <td>± -</td> </tr> <tr> <td>4 PLC</td> <td>± -</td> </tr> <tr> <td>ANGLES</td> <td>± -</td> </tr> </table>		0 PLC	± -	1 PLC	± 0.2[.007]	2 PLC	± 0.4[.015]	3 PLC	± -	4 PLC	± -	ANGLES	± -	PRODUCT SPEC -	APPLICATION SPEC		
0 PLC	± -																
1 PLC	± 0.2[.007]																
2 PLC	± 0.4[.015]																
3 PLC	± -																
4 PLC	± -																
ANGLES	± -																
MATERIAL TOUGH THERMOPLASTIC UL 94V-2 FLAME-RETARDANT		FINISH -	WEIGHT -	SIZE A3	CAGE CODE 00779	DRAWING NO C-2299511	RESTRICTED TO -										
CUSTOMER DRAWING			SCALE 2:1	SHEET 1 OF 1	REV A												

# Mouser Electronics

Authorized Distributor

Click to View Pricing, Inventory, Delivery & Lifecycle Information:

[TE Connectivity:](#)

[2299511-1](#)