




## Product information STAKEI 200 grau/grey

Industrial Connecting Solutions:Rectangular Connectors:Power Connectors (ST series):Panel-mounted socket:STAKEI 200 grau/grey

<http://e-catalog.hirschmann.com/link/57078-24228-256261-24351-24353-35776/en/conf/uisstate>

|  |   |
|--|---|
| Name                                     | STAKEI 200 grau/grey  |
|  |  |
|  | Panel-mounted socket with coding slot and added gasket                            |
| <b>Delivery informations</b>             |   |
| Availability                             | available   |
| <b>Product description</b>               |   |
| Description                              | Panel-mounted socket with coding slot and added gasket                            |
| Type                                     | STAKEI 200 grau/grey  |
| Order No.                                | 932 047-106   |
| Type of contact                          | female  |
| Number of contacts                       | 2 + PE  |
| Conductor size                           | max. 1.5 mm <sup>2</sup>  |
| Housing Color                            | grey  |
| Contact bearer color                     | black   |
| <b>Technical data</b>                    |   |
| Pin dimensions                           | 2 mm  |
| Rated voltage                            | AC/DC 250 V   |
| Rated current                            | DC 10 A / AC 16 A   |
| Contact resistance                       | <= 5 mOhm   |
| Type of termination                      | screws  |
| Mounting                                 | Schrauben   |
| <b>Material</b>                          |   |
| Contact material                         | Cu Zn   |
| Contact surface material                 | Sn  |
| Contact bearer material                  | PA  |
| Housing material                         | PA  |
| <b>Environmental conditions</b>          |   |
| Protection class (IEC 60529)             | IP 54   |
| Pollution severity                       | 3   |
| Temperature range                        | -30 °C to +90 °C  |
| <b>Inflammability class</b>              |   |
| Housing                                  | UL 94 HB  |
| Contact bearer                           | UL 94 V-0   |
| <b>Approvals</b>                         |   |
| UL                                       | UL  |
| VDE                                      | VDE   |
| SEV                                      | SEV   |
| <b>Packing unit</b>                      |   |
| Packaging unit                           | 100 pieces  |
| <b>Scope of delivery and accessories</b> |   |
| Accessories to order separately          | safety brackets STASI 2,<br>order no. 732 044-000                                 |



# HIRSCHMANN

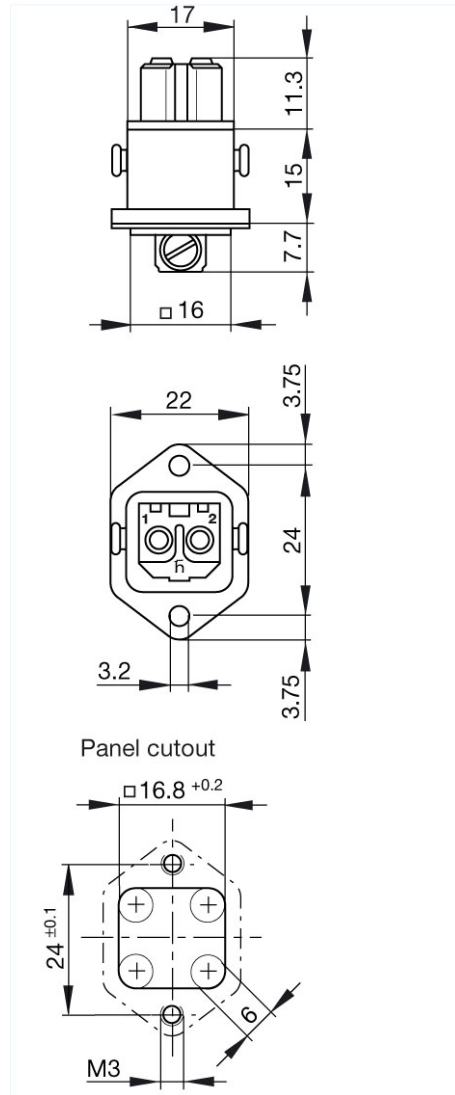
A BELDEN BRAND

Industrial Connecting Solutions:Rectangular Connectors:Power Connectors (ST series):Panel-mounted socket:STAKEI 200 grau/grey

<http://e-catalog.hirschmann.com/link/57078-24228-256261-24351-24353-35776/en/conf/uistate>

Picture

Drawing



**Belden Deutschland GmbH**  
Im Gewerbepark 2  
58579 Schalksmühle  
Germany  
Phone: +49 7127/14-1806  
E-Mail: [icos-sales@belden.com](mailto:icos-sales@belden.com)

The information published in the websites has been compiled as carefully as possible. It is subject to alteration without notice in technical as well as in price-related/commercial respect. The complete information and data were available on user documentation. Mandatory information can only be obtained by a concrete query.