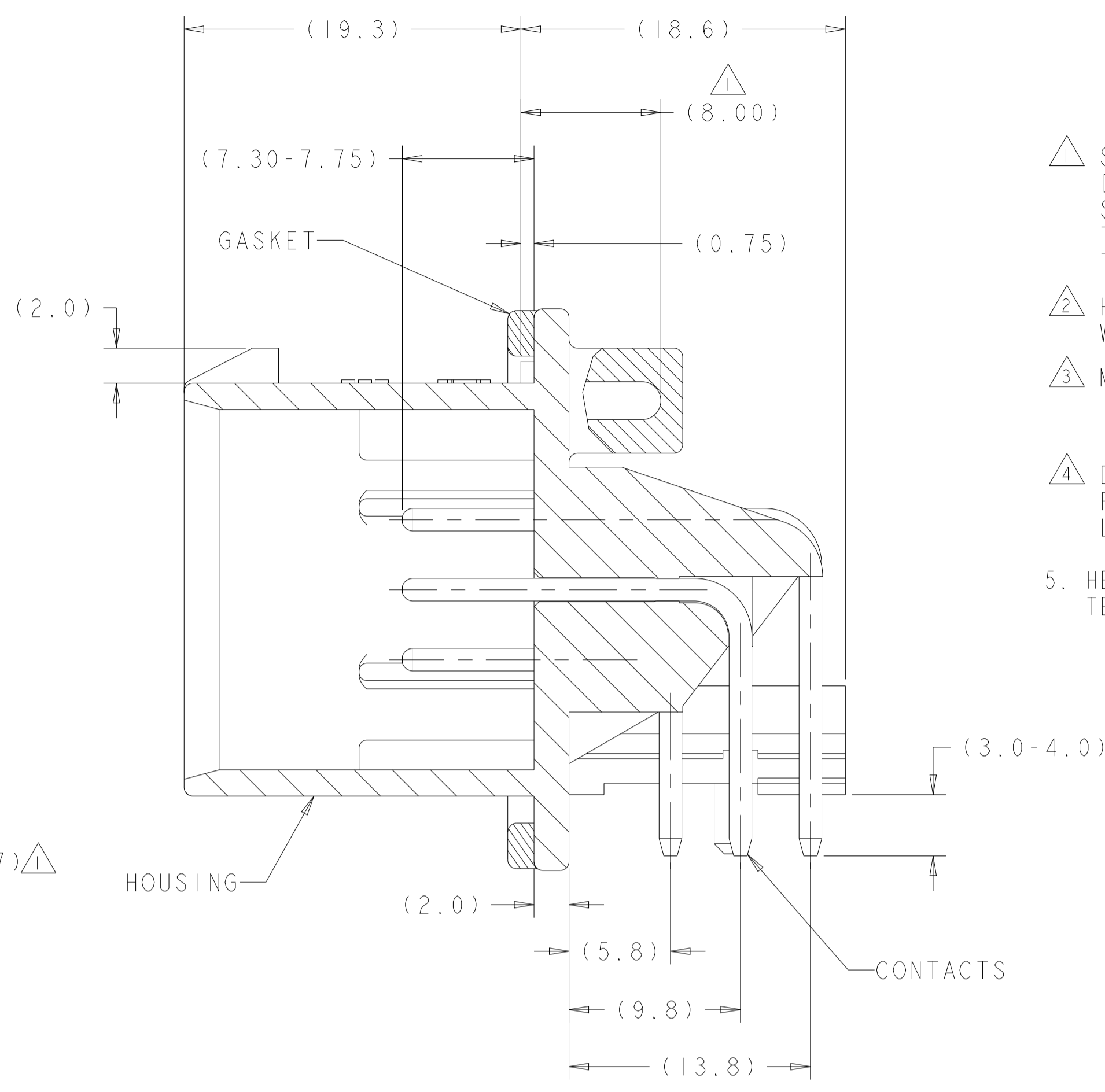
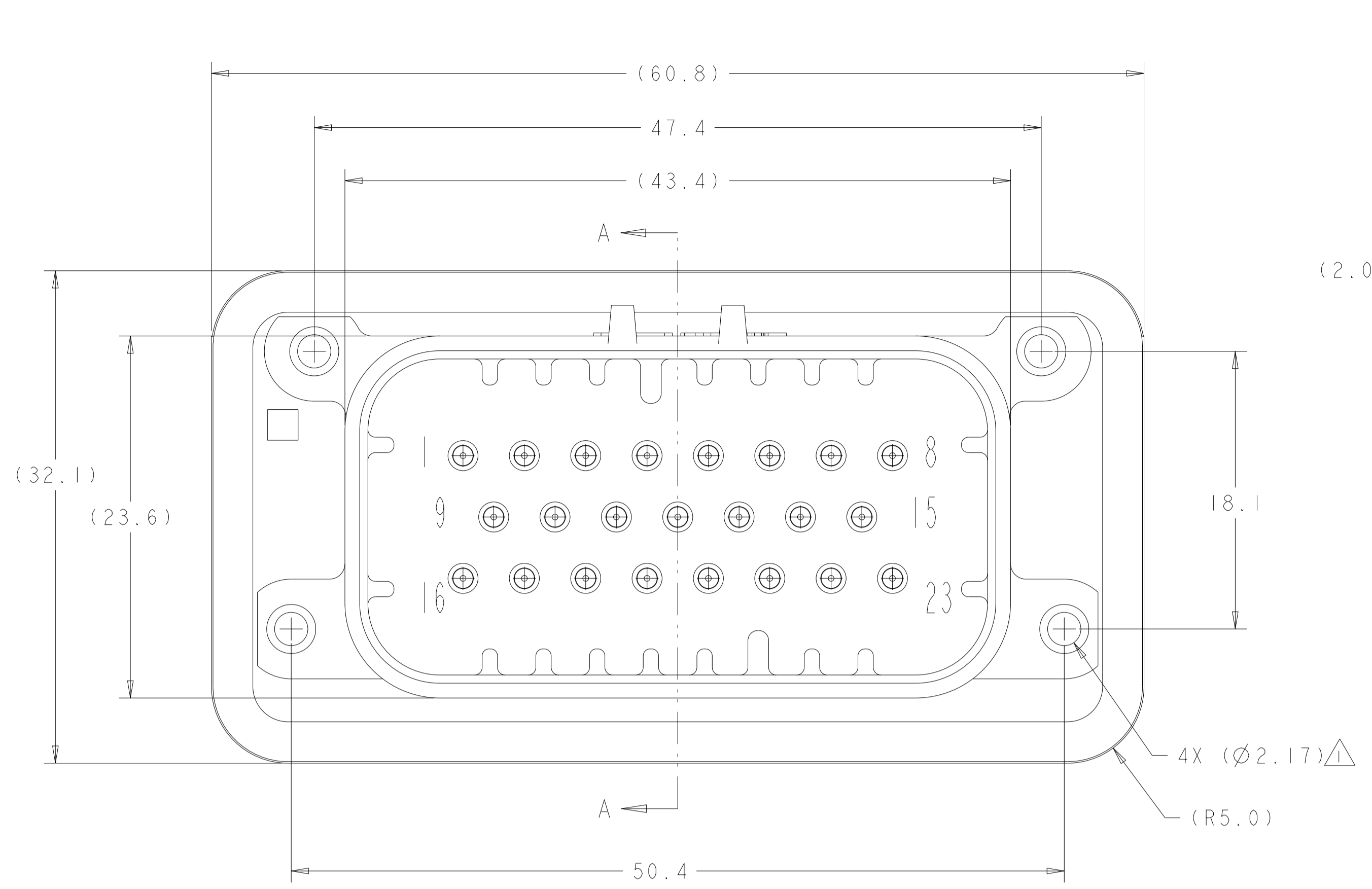
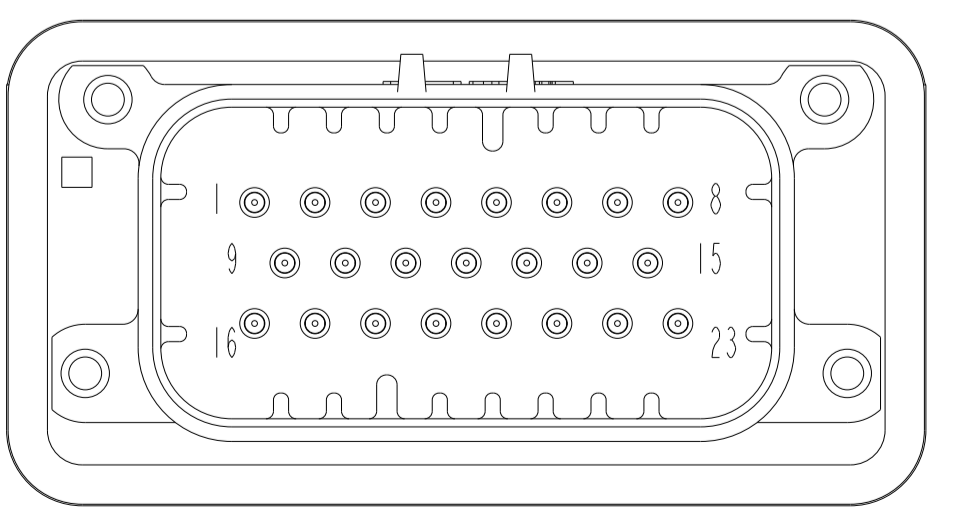
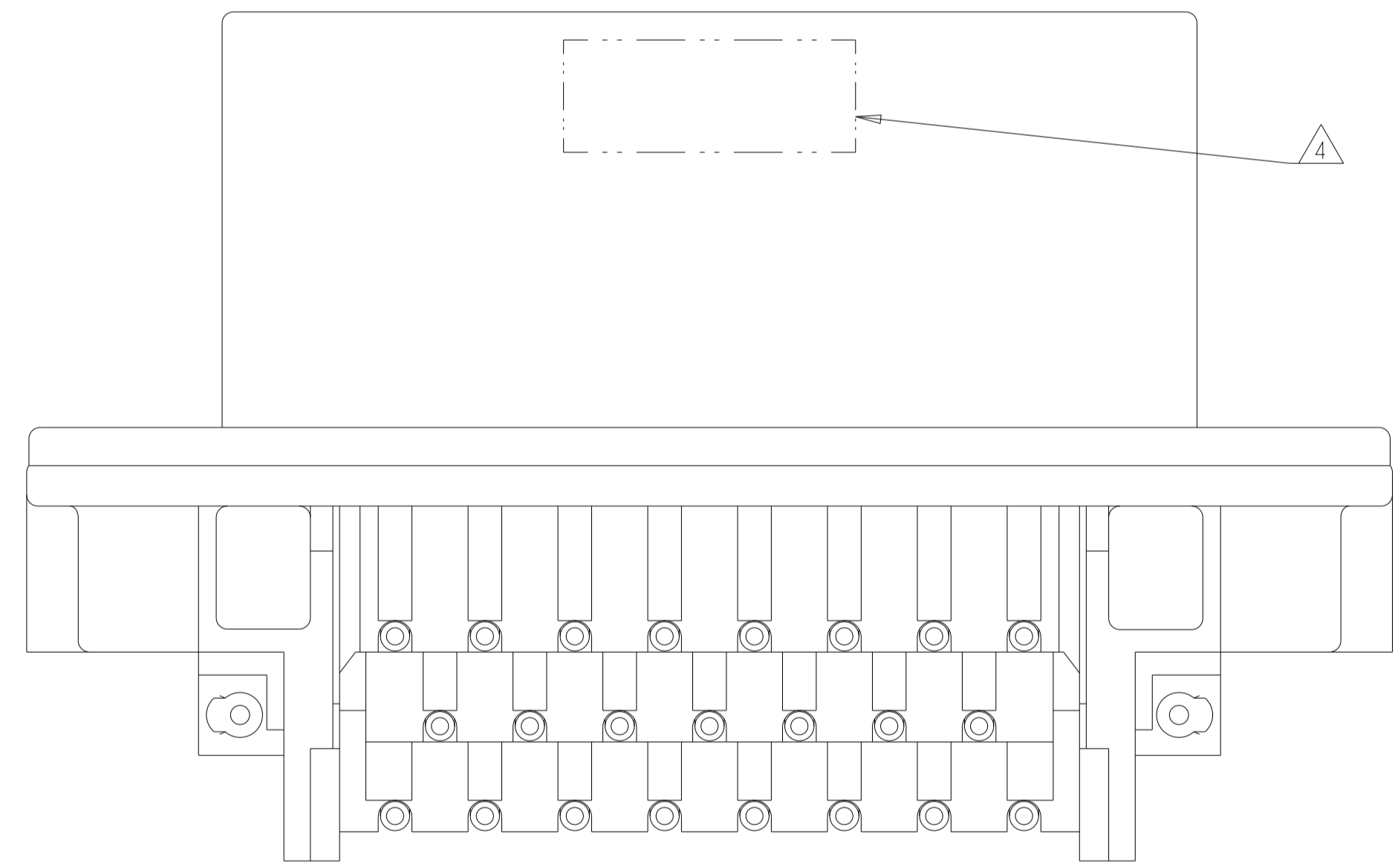


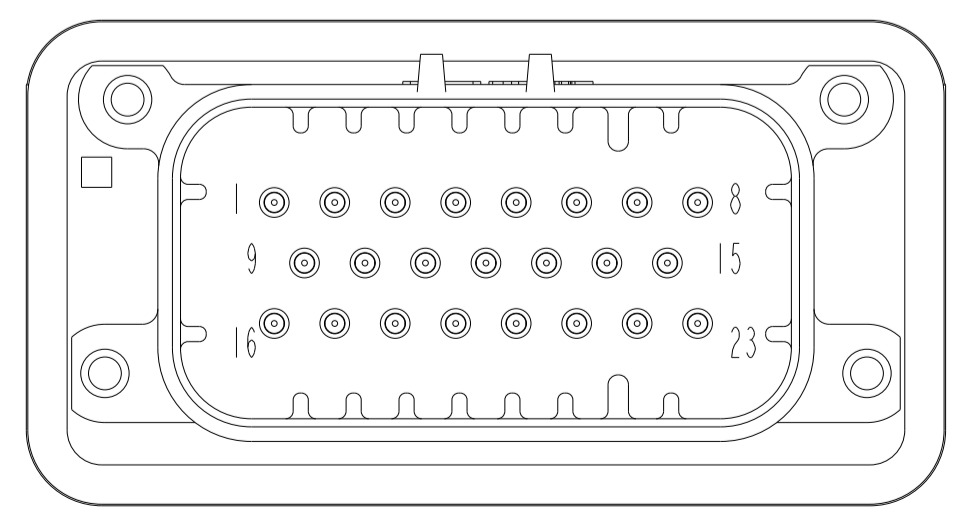
REVISIONS				
P	LTN	DESCRIPTION	DATE	OWN APVD
E12		REVISED PER ECO-19-009419	20JUN2019	DS DS
E13		REVISED PER ECO-20-004256	26MAR2020	JM DS
E14		REVISED PER PCN E-20-016603	24NOV2020	PN DS
F		REVISED PER ECN-21-123056	08NOV2021	DK CB



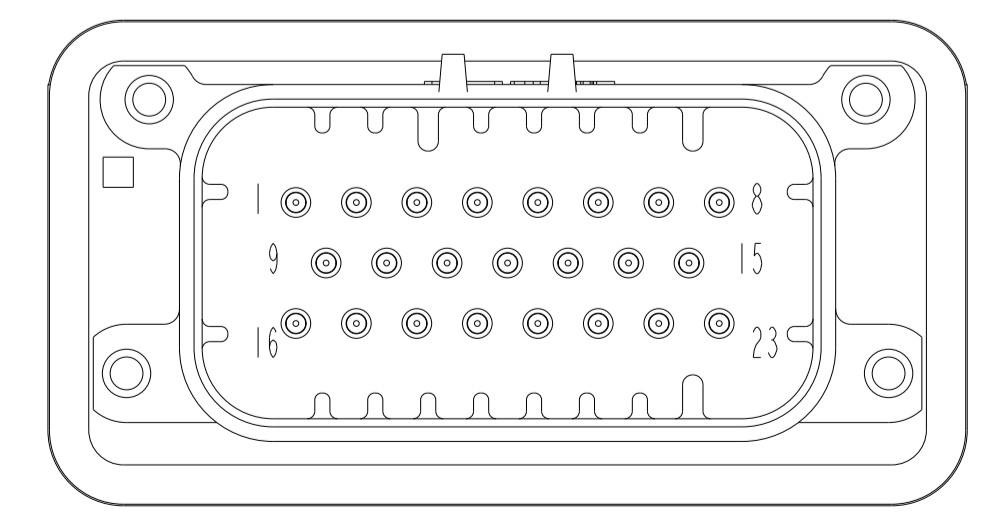
- 1 SUGGESTED MOUNTING SCREW SIZE IS $\varnothing 2.50-3.00\text{mm}$ [$\varnothing 0.099 - 0.118$ INCH] SELF TAPPING THREAD FORMING SCREW, SUCH AS DELTA PT, TO BE DRIVEN AT 0.6-0.8 N-m. THE CUSTOMER SHOULD TEST THE SCREW SIZE AND TYPE IN ORDER TO VERIFY THEIR SELECTION FOR THEIR APPLICATION.
- 2 HOUSING COLORS ARE MECHANICALLY KEYS TO MATE ONLY WITH IDENTICALLY COLORED PLUG ASSEMBLIES.
- 3 MATERIALS: HEADER HOUSING - GLASS FIBERED PBT
PINS - TIN OR GOLD PLATED BRASS
GASKET - SILICONE
- 4 DATE CODE IN THIS LOCATION USING 5 DIGIT CODE
FIRST 2 DIGITS = YEAR, SECOND 2 DIGITS = WEEK
LAST DIGIT = DAY
- 5. HEADER MATES TO PLUG ASSEMBLY 770680 WHICH USES REELED TERMINAL 770520 AND LOOSE PIECE TERMINAL 770854



776087-2 & 1-776087-2
KEY LOCATION AS SHOWN
SCALE 2:1



776087-4 & 1-776087-4
KEY LOCATION AS SHOWN
SCALE 2:1



776087-5 & 1-776087-5
KEY LOCATION AS SHOWN
SCALE 2:1

776087-1 & 1-776087-1
KEY LOCATION AS SHOWN

GOLD	BLUE	1-776087-5
GOLD	GRAY	1-776087-4
GOLD	NATURAL (WHITE)	1-776087-2
GOLD	BLACK	1-776087-1
TIN	BLUE	776087-5
TIN	GRAY	776087-4
TIN	NATURAL (WHITE)	776087-2
TIN	BLACK	776087-1
FINISH	COLOR	PART NUMBER

THIS DRAWING IS A CONTROLLED DOCUMENT.

DIMENSIONS:	TOLERANCES UNLESS OTHERWISE SPECIFIED:	OWN: R. VESTAL 31DEC2002	CHK: D. CROWE 31DEC2002	APVD: D. CROWE 31DEC2002
mm	0 PLC ±0.2	PRODUCT SPEC	108-1329	APPLICATION SPEC
	1 PLC ±	SIZE	114-16016	WEIGHT
	2 PLC ±	ANGLE	29.04g	CUSTOMER DRAWING
	3 PLC ±	FINISH		

NAME: HEADER ASSEMBLY, 23 POSITION, RIGHT ANGLE, AMPSEAL

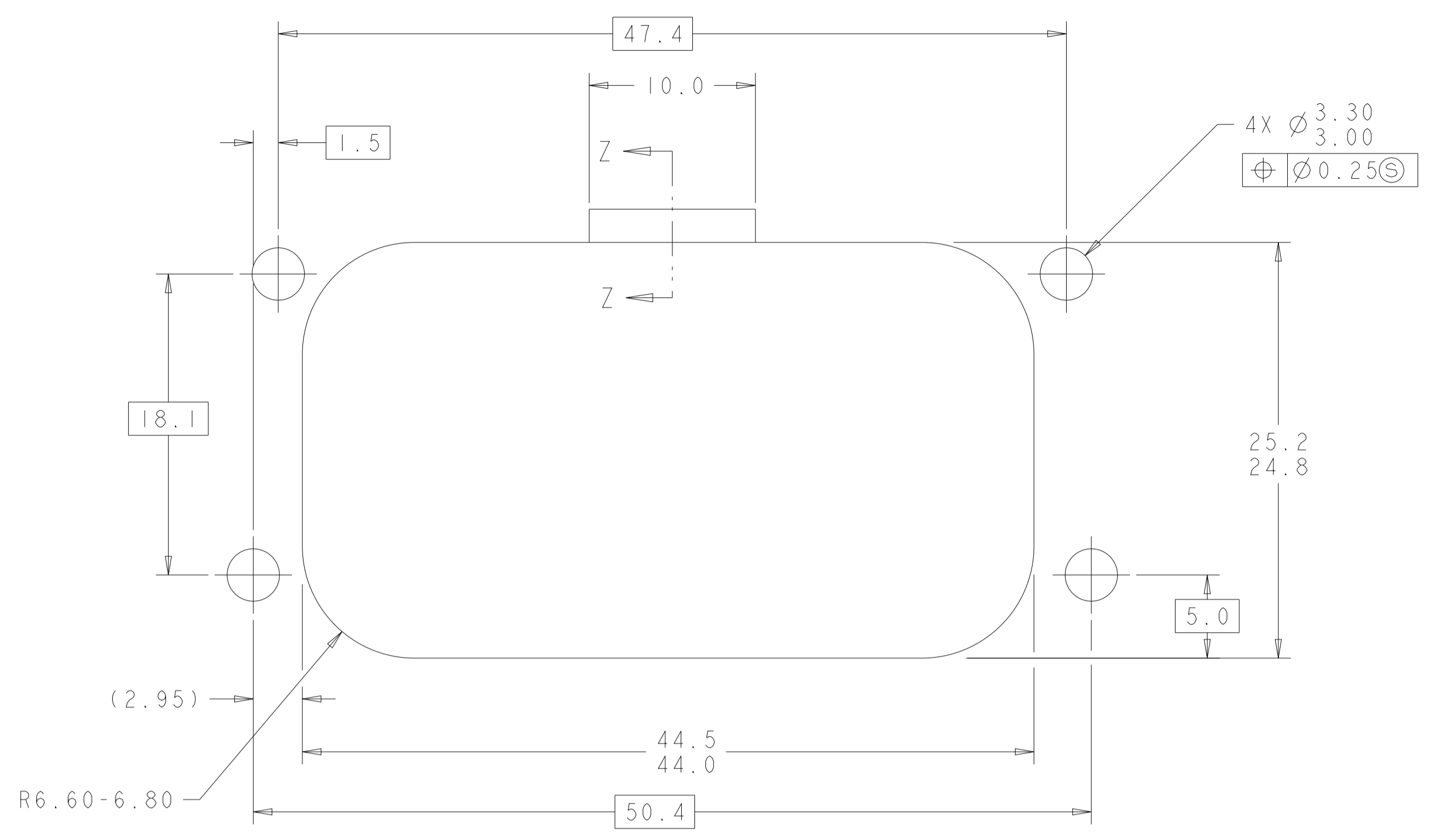
SIZE: 114-16016 CAGE CODE: 100779 DRAWING NO: A100779-776087

RESTRICTED TO: -

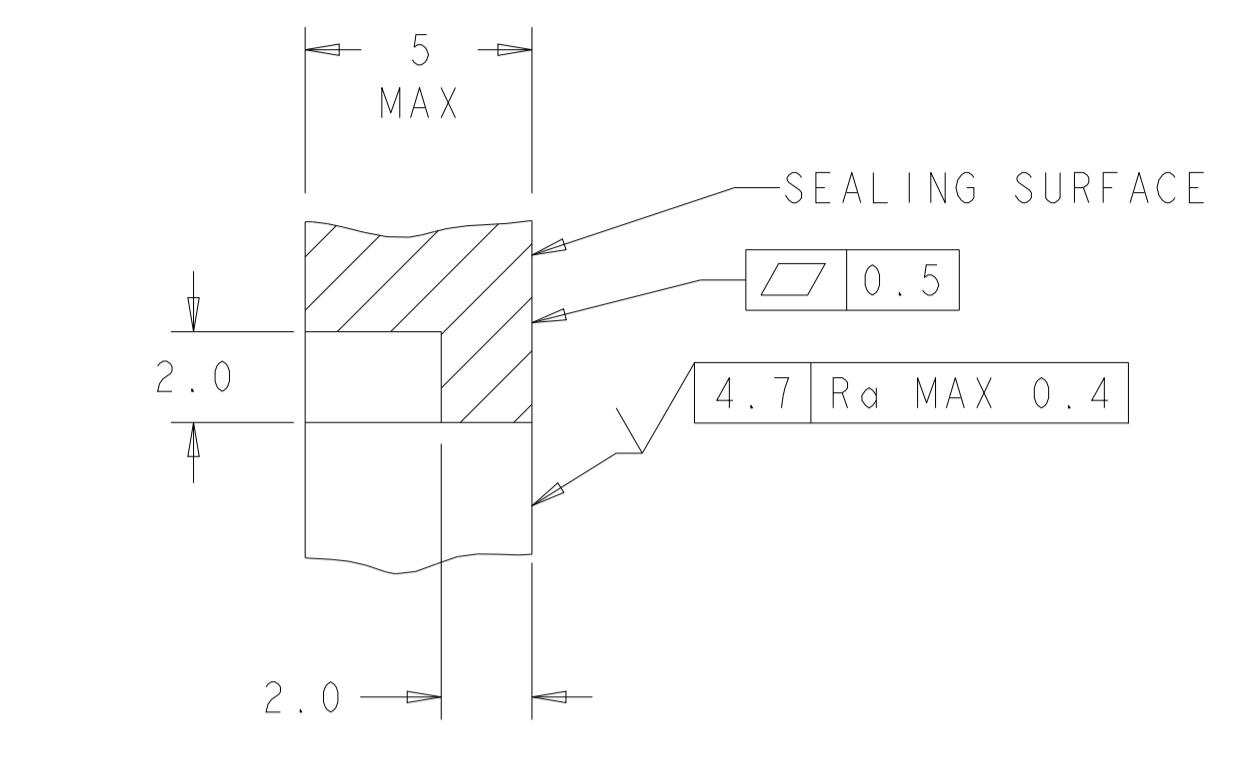
SCALE: 4:1 SHEET 1 OF 2 REV F



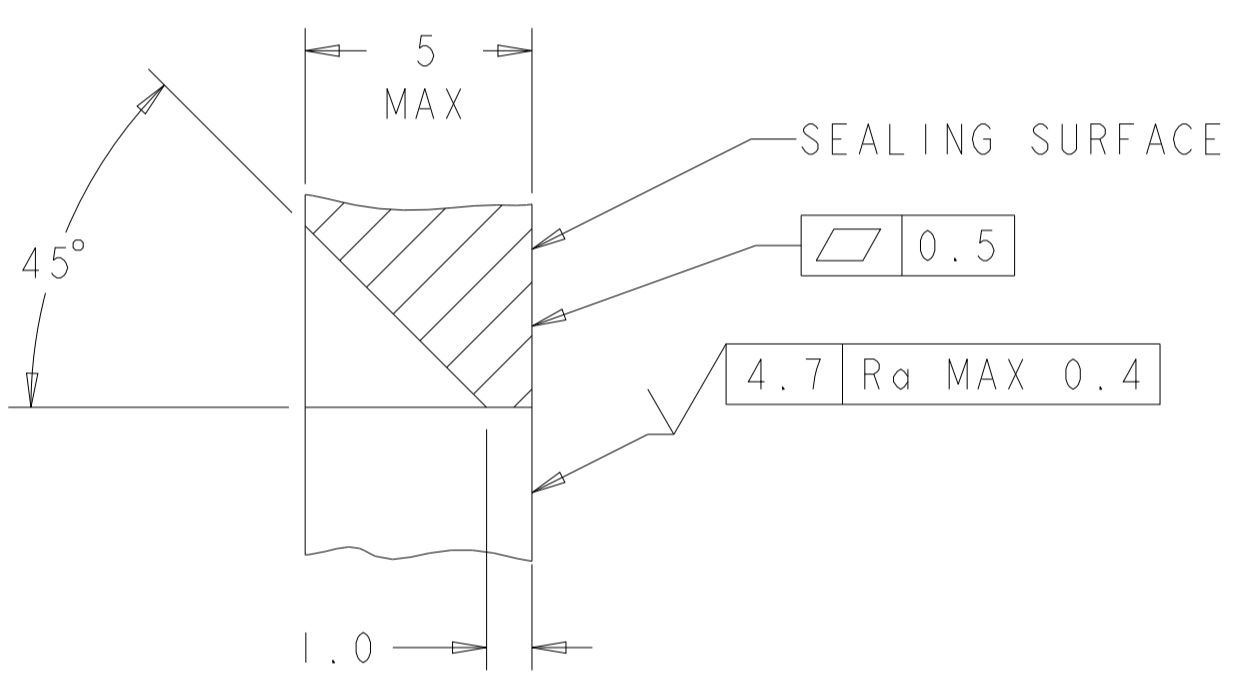
REVISIONS				
P.	LTN.	DESCRIPTION	DATE	APP'D.
-	-	SEE SHEET 1	-	-



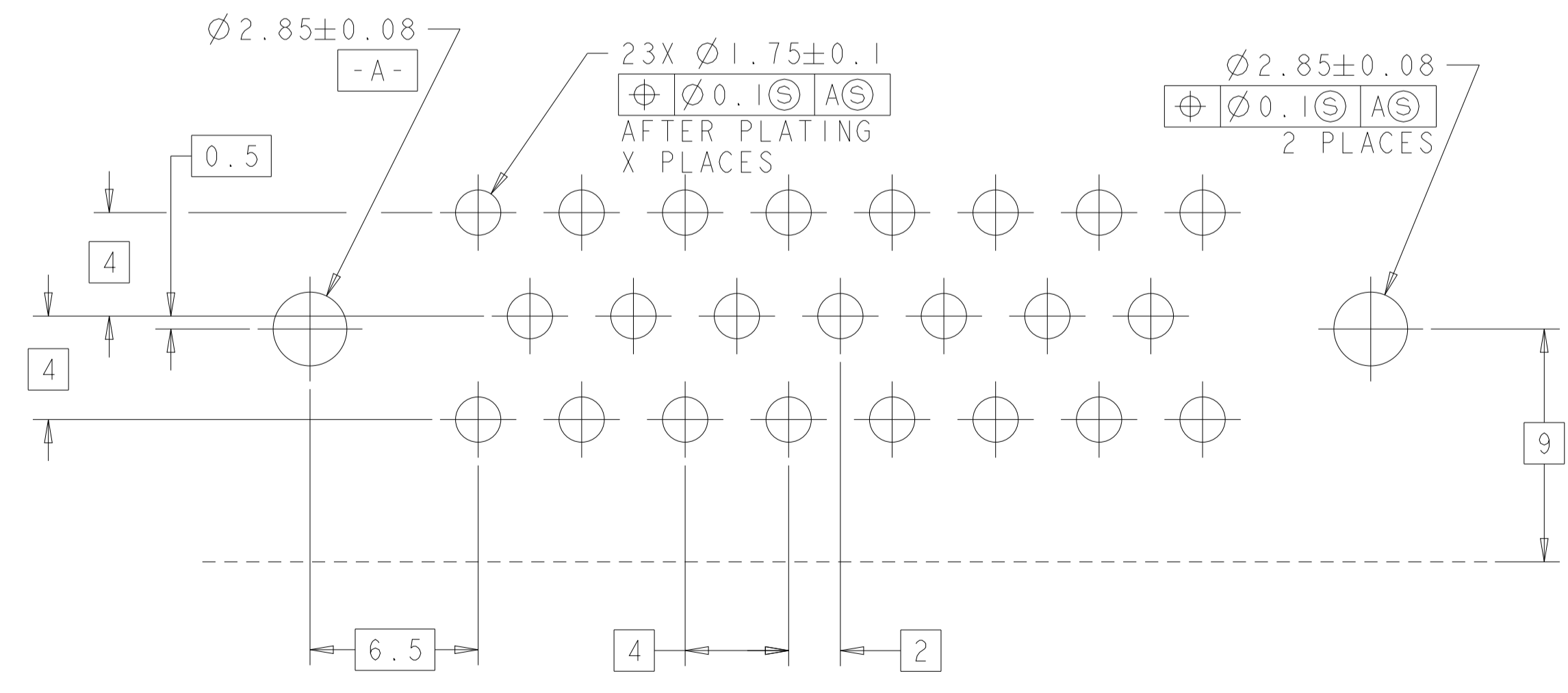
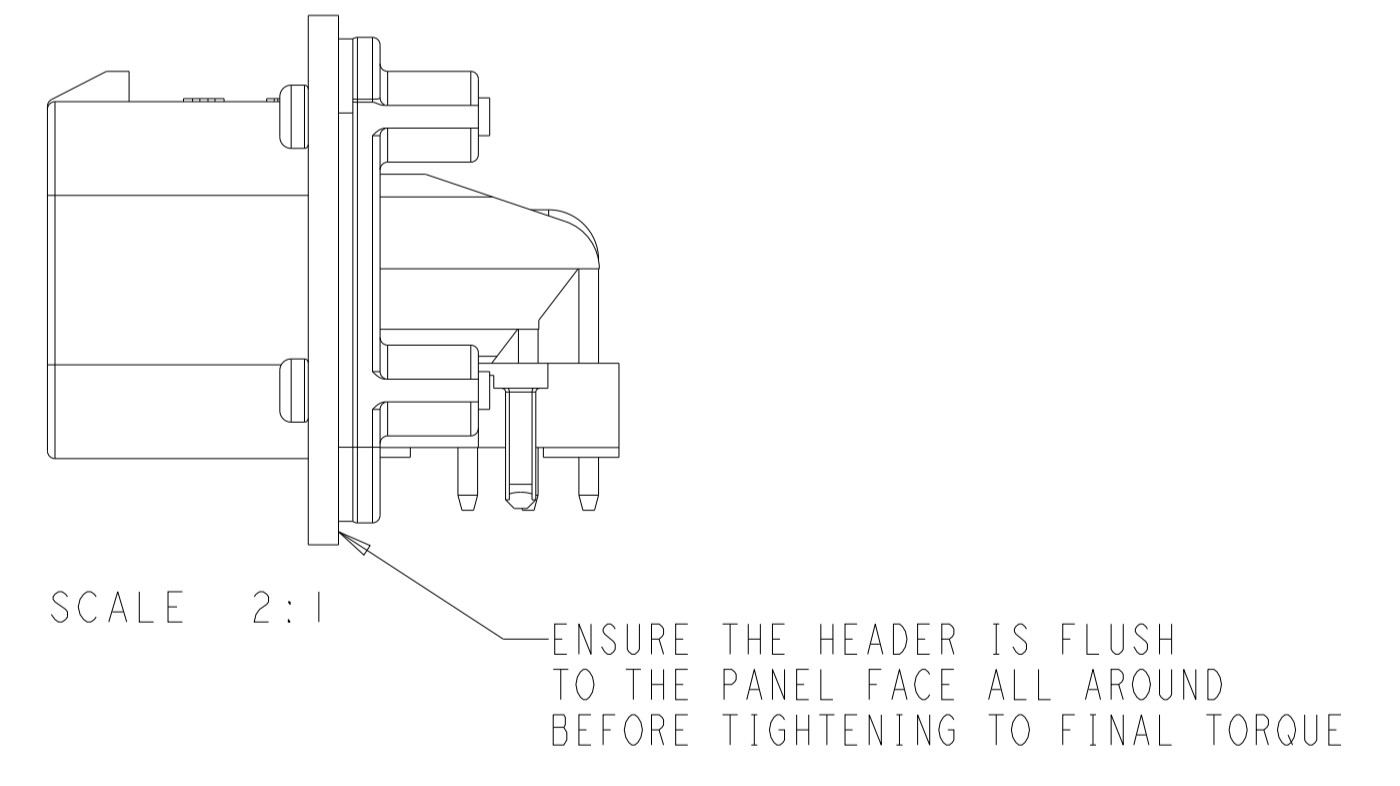
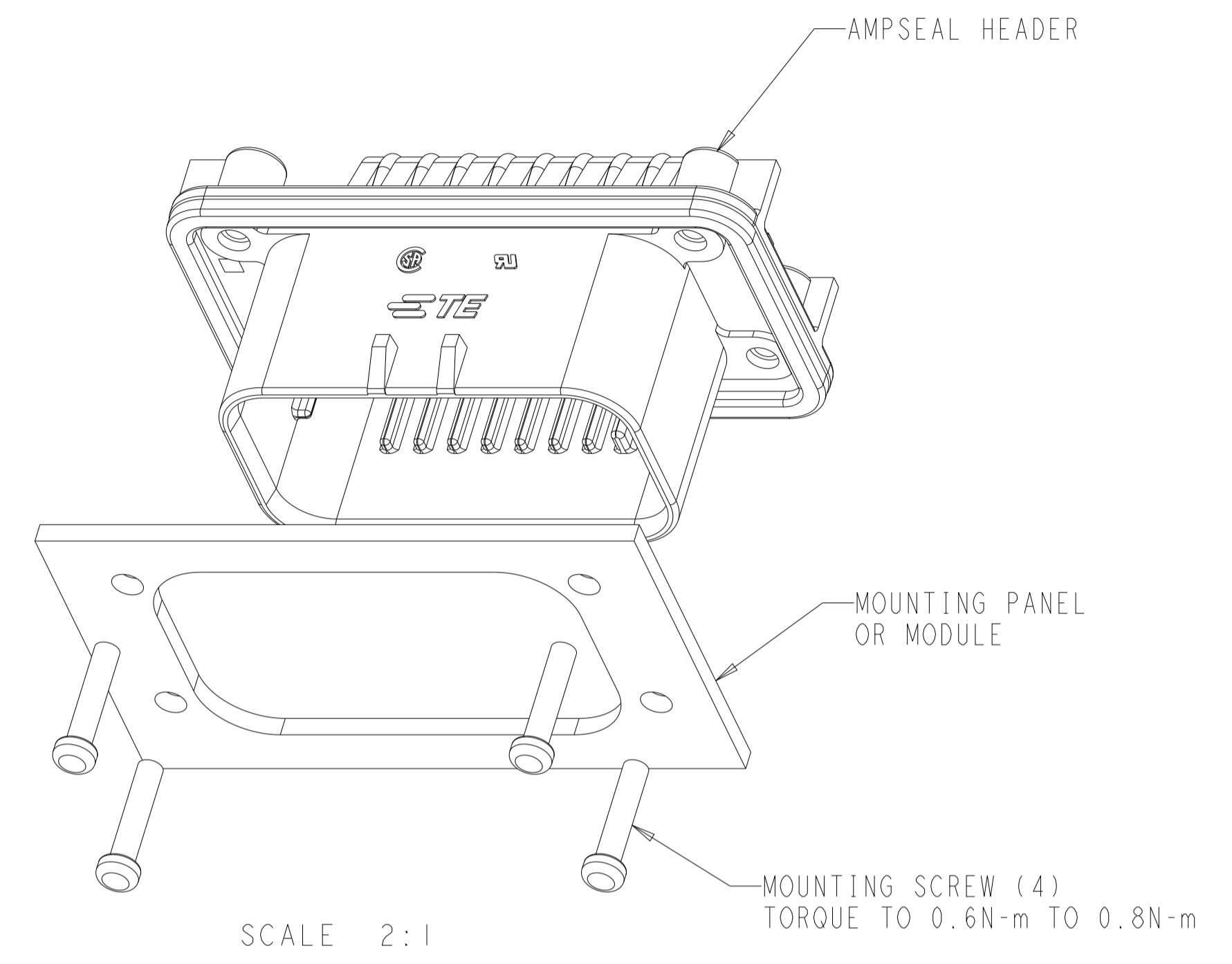
RECOMMENDED MOUNTING HOLE LAYOUT FOR 5.0 MAX THICK PANEL



SECTION Z-Z
 OPTIONAL CONSTRUCTION IF THICKNESS IS GREATER THAN 2.0
 SCALE 6:1



SECTION Z-Z
 OPTIONAL CONSTRUCTION IF THICKNESS IS GREATER THAN 2.0
 SCALE 6:1



RECOMMENDED P.C. BOARD LAYOUT FOR 1.57 THICK P.C. BOARD

THIS DRAWING IS A CONTROLLED DOCUMENT.		OWN R. VESTAL 31DEC2002	TE Connectivity
DIMENSIONS: mm		CHK D. CROWE 31DEC2002	
TOLERANCES UNLESS OTHERWISE SPECIFIED:		APVD D. CROWE 31DEC2002	NAME HEADER ASSEMBLY, 23 POSITION, RIGHT ANGLE, AMPSEAL
0 PLC ±0.2		PRODUCT SPEC 108-1329	
1 PLC ±0.13		APPLICATION SPEC 114-16016	SIZE CAGE CODE DRAWING NO A100779C=776087
2 PLC ±0.13		WEIGHT 29.04g	
3 PLC ±0.13		CUSTOMER DRAWING	RESTRICTED TO
4 PLC ±0.13		SCALE 2:1	SHEET 2 OF 2
ANGLES ±0.5			REV F
FINISH			

Mouser Electronics

Authorized Distributor

Click to View Pricing, Inventory, Delivery & Lifecycle Information:

[TE Connectivity:](#)

[776087-1](#)