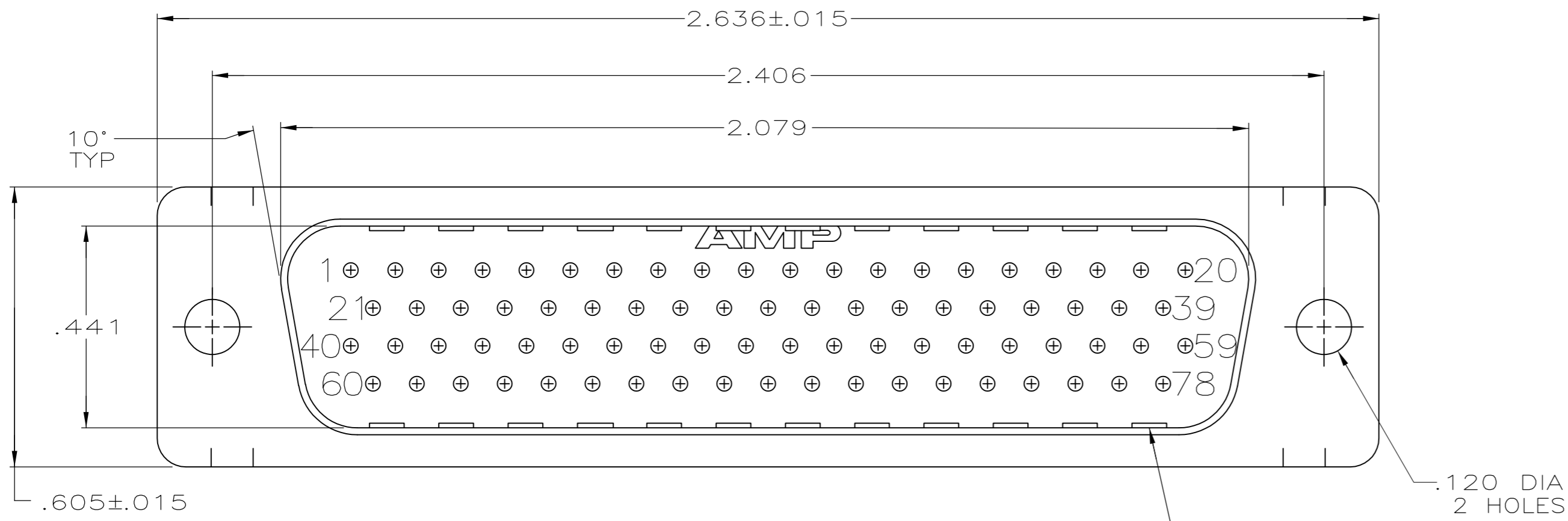
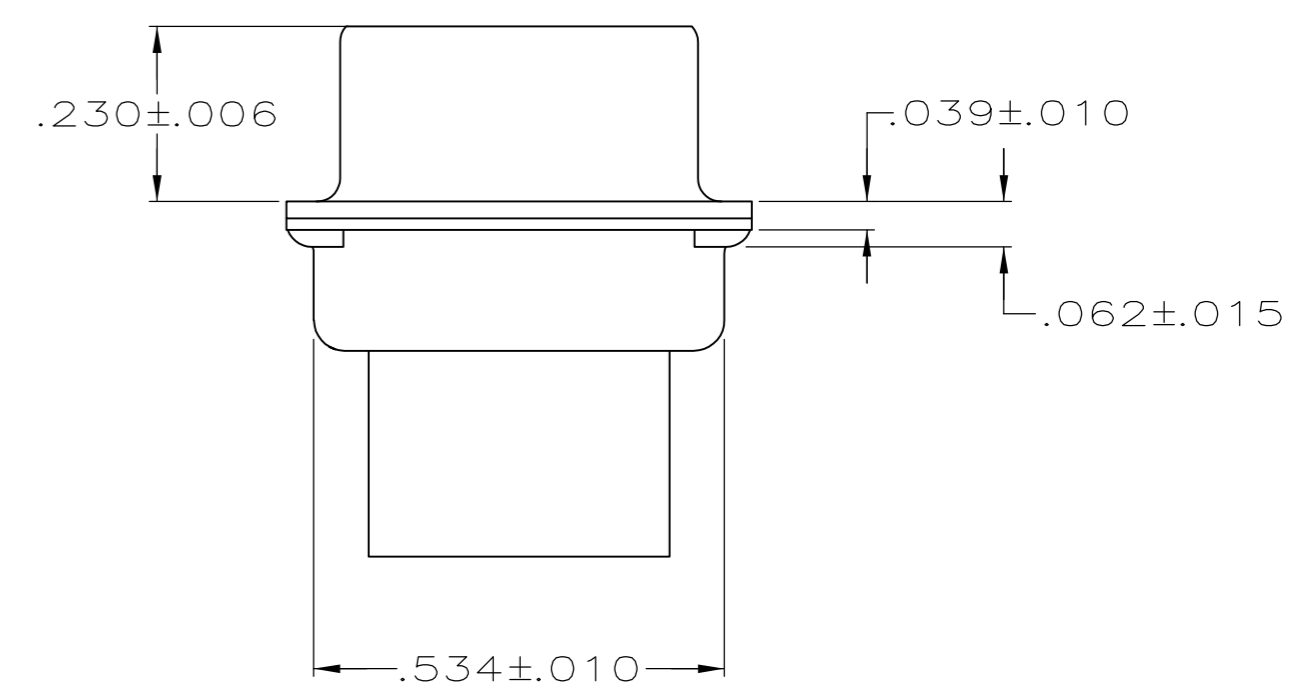
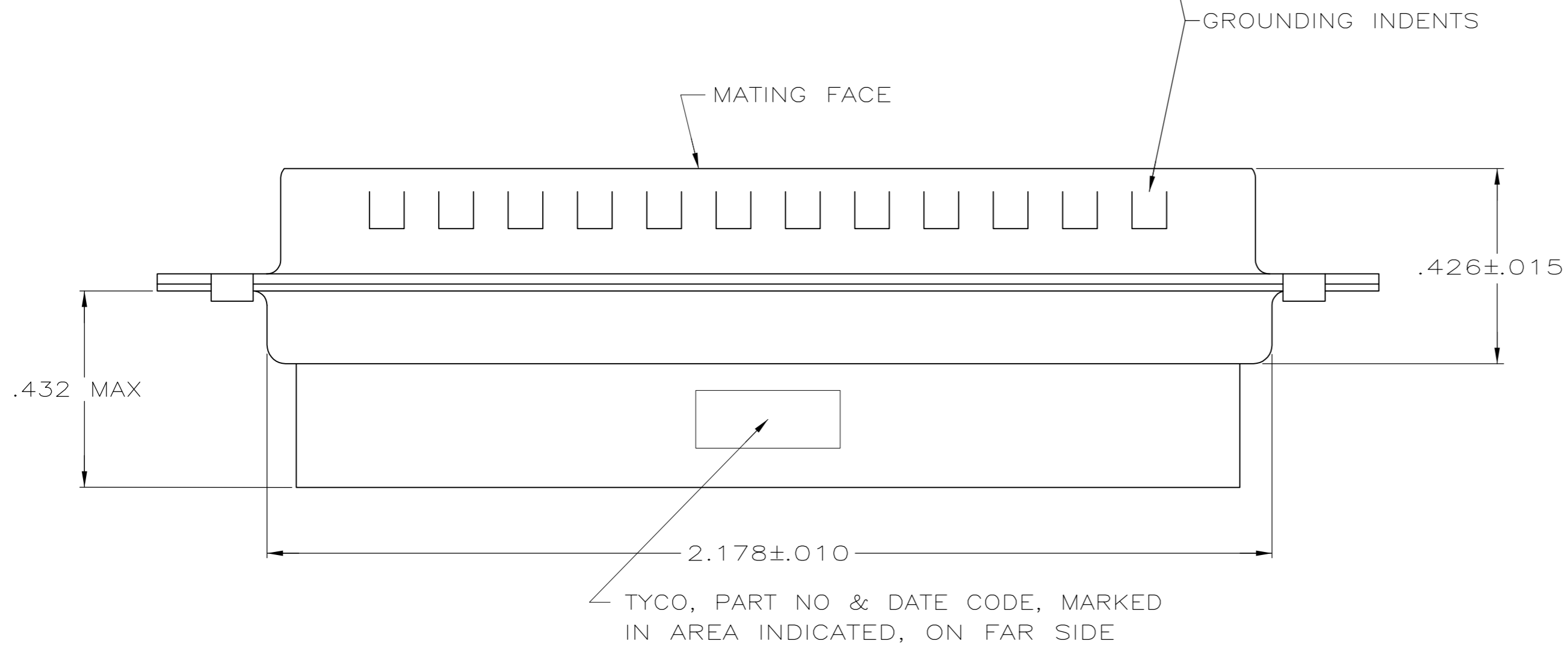


THIS DRAWING IS UNPUBLISHED. RELEASED FOR PUBLICATION
 © COPYRIGHT - By - ALL RIGHTS RESERVED.

LOC	DIST	REVISIONS			
P	LTR	DESCRIPTION	DATE	DWN	APVD
GP	00				
	A	REVISED PER ECO-11-002006	11APR2011	CJV	CWR



- CONNECTOR ACCEPTS 22 DF PIN CONTACTS, RETENTION TINES ARE AN INTEGRAL PART OF INSERT.
- MOLDED PART MATERIAL: FLAME RETARDANT 94V-0 RATED GLASS FILLED NYLON, COLOR: BLACK.
- SHELL MATERIAL: CARBON STEEL.
- SHELL FINISH: .000200 MIN TIN PLATE OVER .000100 MIN COPPER UNDERPLATE.



1658674-1
 PART NUMBER

THIS DRAWING IS A CONTROLLED DOCUMENT.		DWN L. BAUM 02JAN04	 TE Connectivity PLUG ASSEMBLY, SIZE 5, 78 POSN, HDP-22, AMPLIMITE®			
DIMENSIONS: INCHES		CHK S. BOLASH 02JAN04				
TOLERANCES UNLESS OTHERWISE SPECIFIED:		APVD M. WALMSLEY 02JAN04				
0 PLC ± - 1 PLC ± - 2 PLC ± - 3 PLC ± .005 4 PLC ± - ANGLES ± 2°		NAME				
MATERIAL		PRODUCT SPEC 108-1268	SIZE A2	CAGE CODE 00779	DRAWING NO C=1658674	RESTRICTED TO -
FINISH		APPLICATION SPEC 114-10001	SCALE 4:1		SHEET 1 of 1	REV A
		WEIGHT -	CUSTOMER DRAWING			

Mouser Electronics

Authorized Distributor

Click to View Pricing, Inventory, Delivery & Lifecycle Information:

[TE Connectivity:](#)

[1658674-1](#)