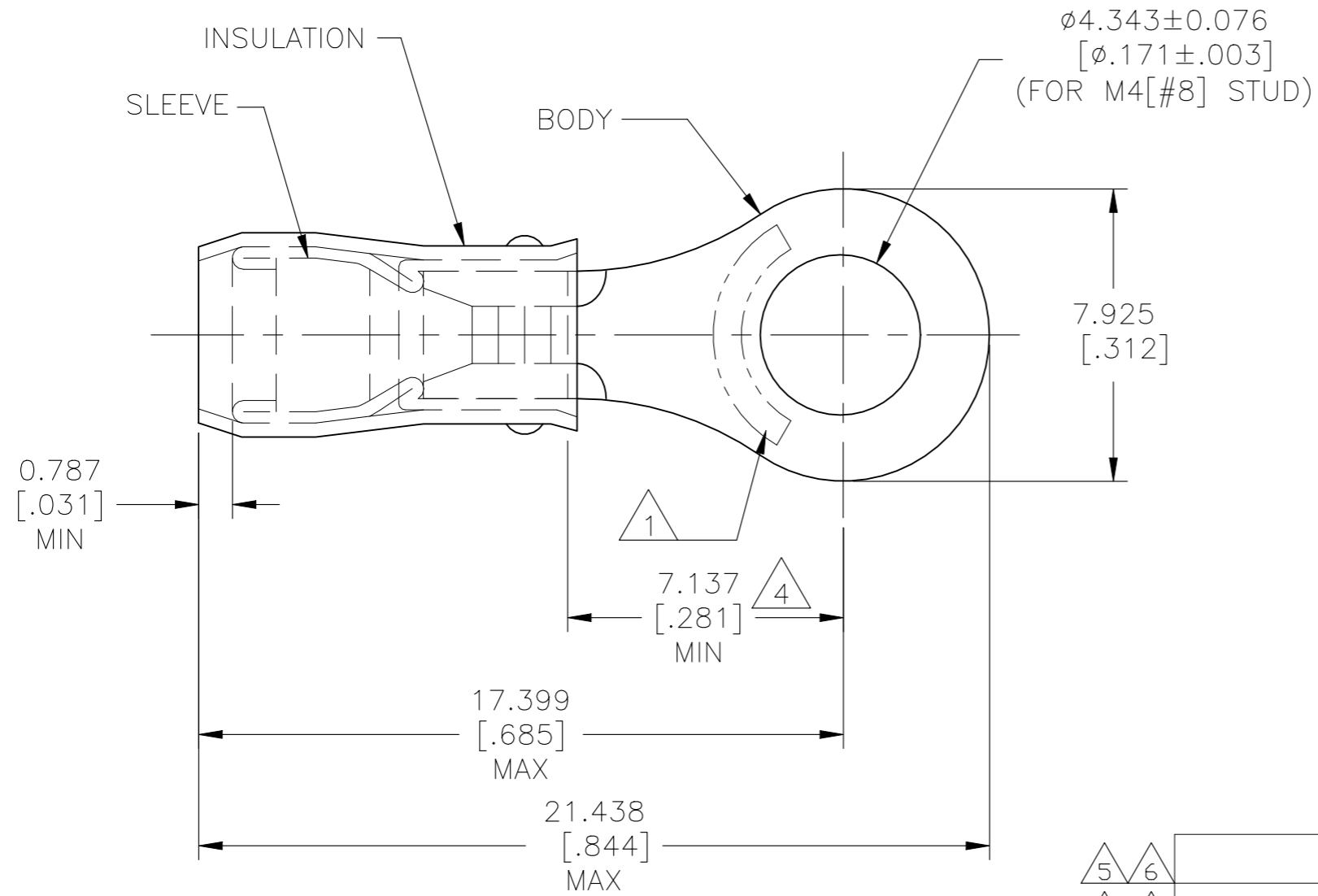


THIS DRAWING IS UNPUBLISHED. RELEASED FOR PUBLICATION
 © COPYRIGHT - By - ALL RIGHTS RESERVED.

REVISIONS				
P	LTR	DESCRIPTION	DATE	APVD
	AA4	REVISED PER ECN-22-156403	03JUN2022	RK CSD

AMP WIRE RANGE	E13288 Listed	LR7189 Certified
22-16 AWG SOLID OR STRANDED	22-16 AWG STRANDED	22-16 AWG SOLID OR STRANDED



- STAMP AMP 22-18* APPROX AS SHOWN
22-16 TERMINALS ARE STAMPED 22-18 IN
ACCORDANCE WITH MILITARY SPEC SAE AS7928
COMMERCIAL WIRE RANGE IS 22-16.
- 2 WIRE INSULATION DIA: 2.032-3.175[.080-.125].
- 3 BODY MATERIAL THK: 0.787±0.051[.031±.002].
- APPLIES FROM EDGE OF METAL WIRE BARREL TO
CENTER OF STUD HOLE.
- UL LISTED
- CSA CERTIFIED


		-	5000	ON TAPE, REEL	1-320551-1
		MS25036-149 CLASS 1	1000	LOOSE PIECE	320551
		MILITARY P/N AND CLASS	QUANTITY	PACKAGE TYPE	PART NO

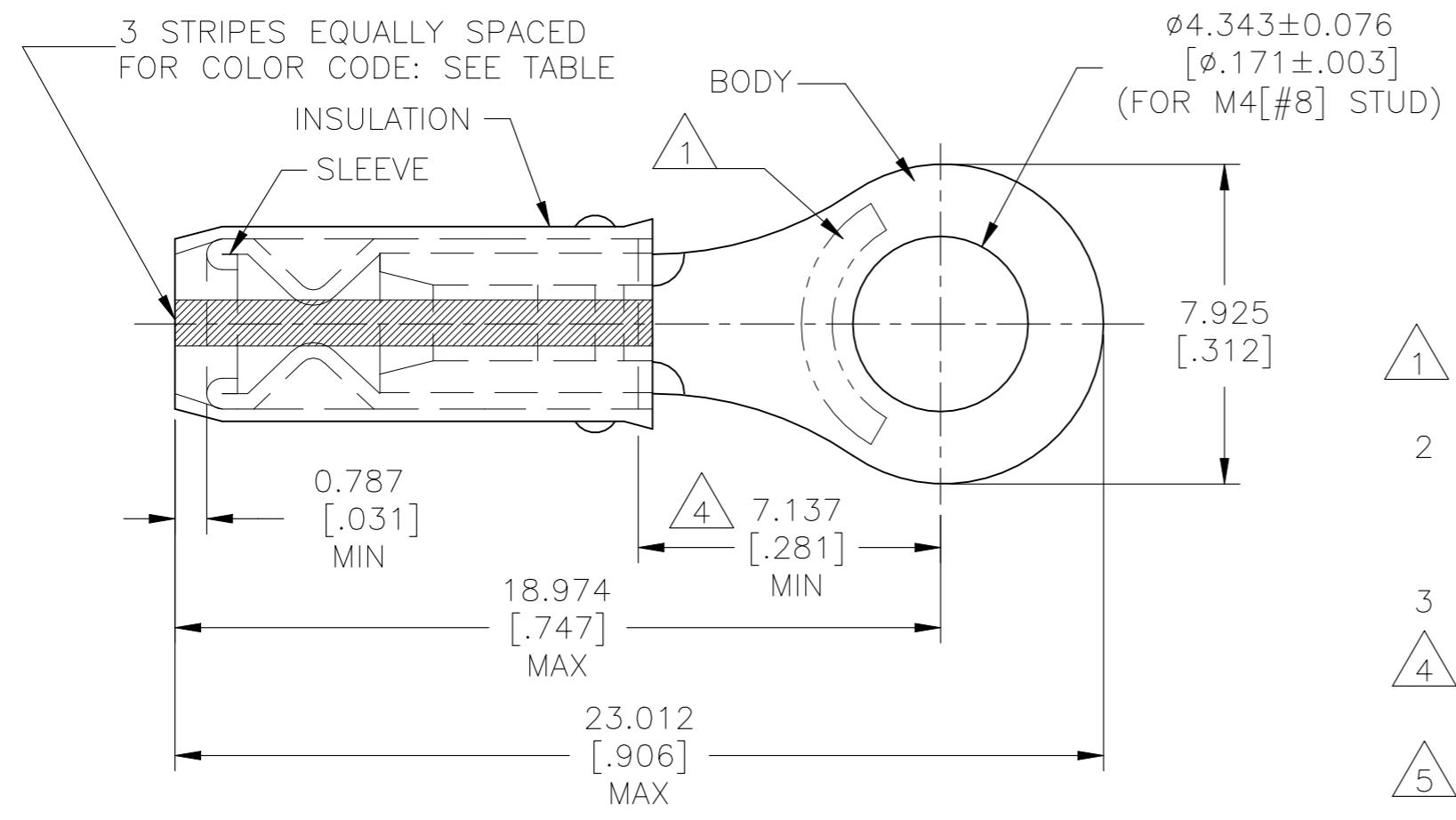
AMP INCORPORATED CUSTOMER SERVICE SYSTEMS		MAX RECOMMENDED OPERATING TEMPERATURE: 105°C[221°F]
FOR ADDITIONAL PRODUCT INFORMATION OR COPIES OF DRAWINGS AND TECHNICAL DOCUMENTS	PRODUCT INFORMATION CENTER 1-800-522-6752	VOLTAGE RATING: 300 V MAX
FOR APPLICATION TOOLING INFORMATION	TOOLING ASSISTANCE CENTER 1-800-722-1111	CIRCULAR MIL AREA: 0.26-1.65mm²[509-3,260] CIR MILS SOLID OR STRANDED
FOR ORDER ENTRY	1-800-526-5142	

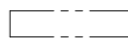
THIS DRAWING IS A CONTROLLED DOCUMENT.		DWN DK SCHRUM 9/8/93	TE Connectivity Ltd.													
DIMENSIONS: mm [INCHES]		CHK RE HERSEY 9/8/93														
TOLERANCES UNLESS OTHERWISE SPECIFIED:		APVD ML ELLIS 9/8/93	NAME TERMINAL, RING TONGUE, PIDG™, WIRE SIZE, 26-16 AWG													
<table border="0"> <tr><td>0 PLC</td><td>± -</td></tr> <tr><td>1 PLC</td><td>± -</td></tr> <tr><td>2 PLC</td><td>± -</td></tr> <tr><td>3 PLC</td><td>± 0.127[.005]</td></tr> <tr><td>4 PLC</td><td>± -</td></tr> <tr><td>ANGLES</td><td>± -</td></tr> </table>		0 PLC	± -	1 PLC	± -	2 PLC	± -	3 PLC	± 0.127[.005]	4 PLC	± -	ANGLES	± -	PRODUCT SPEC UL 486A-B	-	
0 PLC	± -															
1 PLC	± -															
2 PLC	± -															
3 PLC	± 0.127[.005]															
4 PLC	± -															
ANGLES	± -															
MATERIAL BODY & SLEEVE COPPER PER ASTM B-152 INSULATION: NYLON		APPLICATION SPEC 114-2157	SIZE A3	CAGE CODE 00779	DRAWING NO C-320551											
FINISH BODY & SLEEVE TIN PLATE PER ASTM B545 INSULATION: COLOR-RED		WEIGHT -	RESTRICTED TO -													
CUSTOMER DRAWING		SCALE NTS	SHEET 1 OF 2	REV AA4												

THIS DRAWING IS UNPUBLISHED. RELEASED FOR PUBLICATION
 © COPYRIGHT - By - ALL RIGHTS RESERVED.

REVISIONS					
P	LTR	DESCRIPTION	DATE	DWN	APVD
-	-	SEE SHEET 1	-	-	-

AMP WIRE RANGE	 LR 7189 Certified
SEE TABLE STRANDED	WIRE SIZE PER TABLE STRANDED



- 1 STAMP AMP  APPROX AS SHOWN SEE TABLE BELOW.
- 2 WIRE INSULATION DIA: 0.965-2.794[.038-.110] FOR 22 AWG
1.168-2.794[.046-.110] FOR 20 AWG
1.422-2.794[.056-.110] FOR 18 AWG.
- 3 BODY MATERIAL THK: 0.787±0.051[.031±.002].
- 4 APPLIES FROM EDGE OF METAL WIRE BARREL TO CENTER OF STUD HOLE.
- 5 CSA CERTIFIED

5	-	RED	20*	20	100	LOOSE PIECE, BOX	8-320551-1
5	-	WHITE	18*	18	5000	ON TAPE, REEL	1-320551-8
5	M7928/1-32 CLASS 1	WHITE	18*	18	1000	LOOSE PIECE	1-320551-4
5	M7928/1-23 CLASS 1	RED	20*	20	1000	LOOSE PIECE	1-320551-3
5	M7928/1-14 CLASS 1	GREEN	22*	22	1000	LOOSE PIECE	1-320551-2
	MILITARY P/N AND CLASS	STRIPE COLOR	1 STAMPING	WIRE SIZE	QUANTITY	PACKAGE TYPE	PART NO

AMP INCORPORATED
CUSTOMER SERVICE SYSTEMS

FOR ADDITIONAL PRODUCT INFORMATION OR COPIES OF DRAWINGS AND TECHNICAL DOCUMENTS
 PRODUCT INFORMATION CENTER
 1-800-522-6752

FOR APPLICATION TOOLING ASSISTANCE CENTER
 TOOLING INFORMATION
 1-800-722-1111

FOR ORDER ENTRY
 1-800-526-5142

MAX RECOMMENDED OPERATING TEMPERATURE:
 105°C[221°F]

VOLTAGE RATING: 300 V MAX

WIRE RANGE:	CIRC MIL AREA:
22	0.38mm ² [754]
20	0.60mm ² [1,186]
18	0.96mm ² [1,900]

STRANDED

THIS DRAWING IS A CONTROLLED DOCUMENT.


DIMENSIONS: mm [INCHES]

TOLERANCES UNLESS OTHERWISE SPECIFIED:

0 PLC	± -
1 PLC	± -
2 PLC	± -
3 PLC	± 0.127[.005]
4 PLC	± -
ANGLES	± -

MATERIAL BODY & SLEEVE
 COPPER PER ASTM B-152
 INSULATION: NYLON

FINISH BODY & SLEEVE
 TIN PLATE
 PER ASTM B545
 INSULATION: COLOR-RED

DWN DK SCHRUM 9/8/93	 TE Connectivity Ltd.
CHK RE HERSEY 9/8/93	
APVD ML ELLIS 9/8/93	
PRODUCT SPEC	
NAME	TERMINAL, RING TONGUE, I.R., PIDG WIRE SIZE, 22, 20 & 18 AWG
APPLICATION SPEC	114-2157
WEIGHT	-
SIZE	A3
CAGE CODE	00779
DRAWING NO	C-320551
RESTRICTED TO	-
CUSTOMER DRAWING	SCALE NTS
SHEET	2 OF 2
REV	AA4

Mouser Electronics

Authorized Distributor

Click to View Pricing, Inventory, Delivery & Lifecycle Information:

[TE Connectivity:](#)

[1-320551-3](#) [M7928/1-23](#)