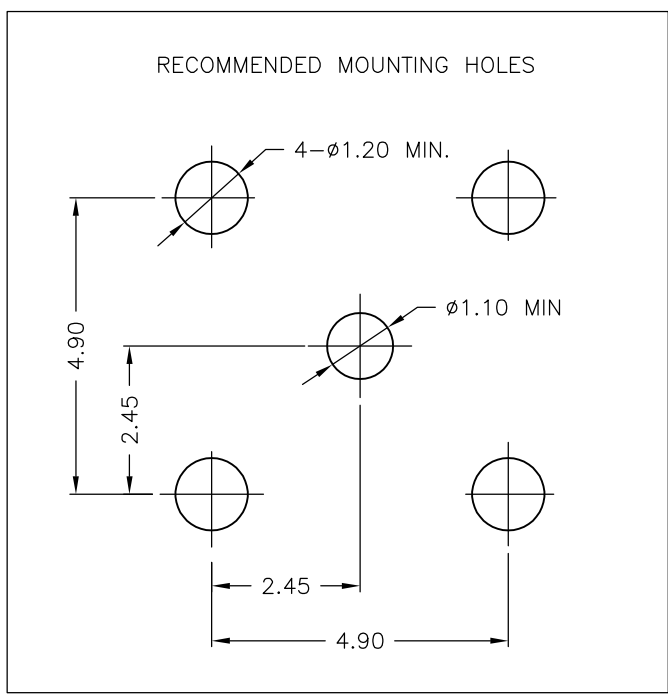
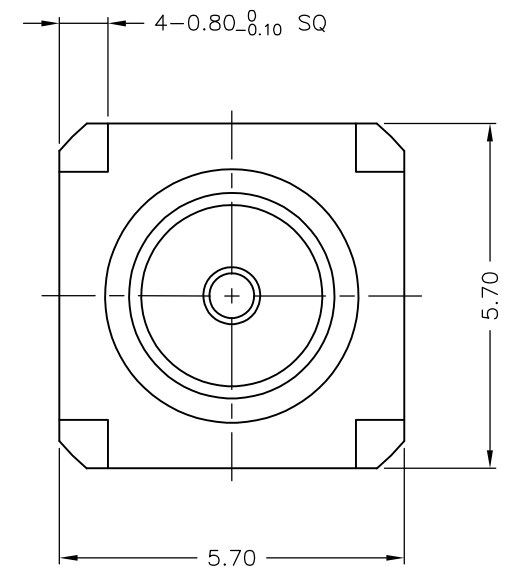
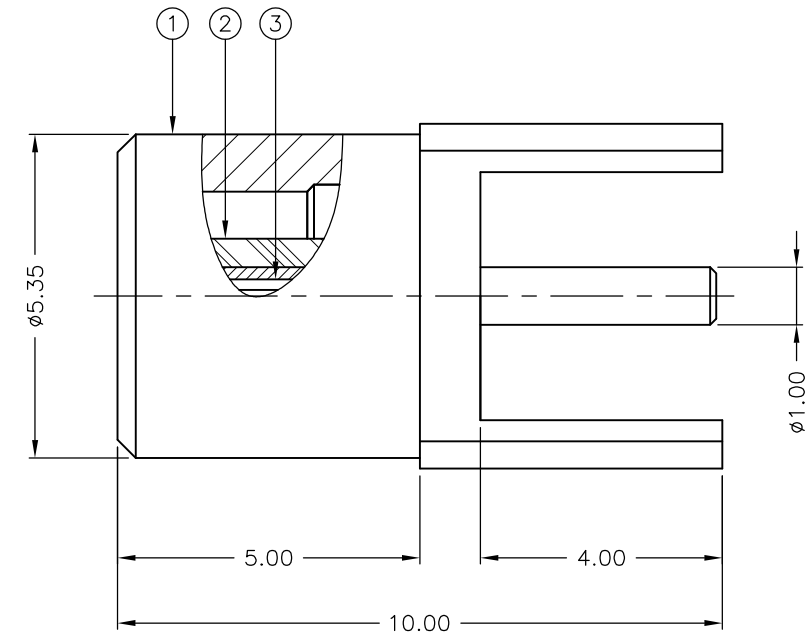


THIS DRAWING IS UNPUBLISHED. RELEASED FOR PUBLICATION FEB ,2006.  
 © COPYRIGHT 2006 By - ALL RIGHTS RESERVED.

LOC	DIST	REVISIONS					
E	B	P	LTR	DESCRIPTION	DATE	DWN	APVD
		D		ECO-14-000452	28APR2015	RZ	MC

- NOTES:**
- 1 SINGLE PACKING: ONE CONNECTOR PER LABELED BAG PACKAGED. LABELED PER TEC-107-115
  - 2 TRAY PACKAGED
  - 3 Au PLATING
  - 4 ELECTRICAL CHARACTERISTICS  
 FREQUENCY RANGE: DC - 6 GHz  
 NOMINAL IMPEDANCE: 50 Ohm  
 INSULATION RESISTANCE: 1000 MOhm  
 WORKING VOLTAGE: 335 Volts RMS at Sea Level  
 DIELECTRIC WITHSTAND VOLTAGE: 1000 Volts RMS Max  
 CONTACT RESISTANCE:  
   CENTER CONTACT: 5.00 mOhm Max  
   OUTER CONTACT: 1.00 mOhm Max  
 VSWR @ 4GHz: N/A  
 INSERTION LOSS dB @ x 1.0 GHz: 0.10 Max
  - 5 MECHANICAL CHARACTERISTICS  
 DURABILITY: 500 Cycles Min
  - 6 ENVIRONMENTAL CHARACTERISTICS  
 OPERATING TEMPERATURE: -65 to +165 DegC



QTY	QTY PER ASSY	MATERIAL	DESCRIPTION	ITEM
1	1	BERYLLIUM COPPER	CONTACT	3
1	1	PTFE	INSULATION	2
1	1	BRASS	BODY	1
6--0	1--0			

THIS DRAWING IS A CONTROLLED DOCUMENT.		DWN	J.SANDWELL	02FEB06	<b>TE Connectivity</b>													
DIMENSIONS: mm		CHK	S.PARLOW	02FEB06				<b>MCX STRAIGHT PCB SOCKET 50 OHM</b>										
TOLERANCES UNLESS OTHERWISE SPECIFIED:		APVD	F.WHEELER-KING	02FEB06							<table border="1"> <tr> <th>SIZE</th> <th>CAGE CODE</th> <th>DRAWING NO</th> <th>RESTRICTED TO</th> </tr> <tr> <td>A3</td> <td>00779</td> <td>C-1337581</td> <td>-</td> </tr> </table>			SIZE	CAGE CODE	DRAWING NO	RESTRICTED TO	A3
SIZE	CAGE CODE	DRAWING NO	RESTRICTED TO															
A3	00779	C-1337581	-															
MATERIAL SEE TABLE		PRODUCT SPEC	-		<table border="1"> <tr> <th>SCALE</th> <th>SHEET</th> <th>REV</th> </tr> <tr> <td>NTS</td> <td>1 OF 1</td> <td>D</td> </tr> </table>			SCALE	SHEET	REV	NTS	1 OF 1	D					
SCALE	SHEET	REV																
NTS	1 OF 1	D																
FINISH -		APPLICATION SPEC	-		<table border="1"> <tr> <th>SCALE</th> <th>SHEET</th> <th>REV</th> </tr> <tr> <td>NTS</td> <td>1 OF 1</td> <td>D</td> </tr> </table>			SCALE	SHEET	REV	NTS	1 OF 1	D					
SCALE	SHEET	REV																
NTS	1 OF 1	D																
MATERIAL SEE TABLE		WEIGHT	-		<table border="1"> <tr> <th>SCALE</th> <th>SHEET</th> <th>REV</th> </tr> <tr> <td>NTS</td> <td>1 OF 1</td> <td>D</td> </tr> </table>			SCALE	SHEET	REV	NTS	1 OF 1	D					
SCALE	SHEET	REV																
NTS	1 OF 1	D																
CUSTOMER DRAWING		-			<table border="1"> <tr> <th>SCALE</th> <th>SHEET</th> <th>REV</th> </tr> <tr> <td>NTS</td> <td>1 OF 1</td> <td>D</td> </tr> </table>			SCALE	SHEET	REV	NTS	1 OF 1	D					
SCALE	SHEET	REV																
NTS	1 OF 1	D																

# Mouser Electronics

Authorized Distributor

Click to View Pricing, Inventory, Delivery & Lifecycle Information:

[TE Connectivity:](#)

[1-1337581-0](#)