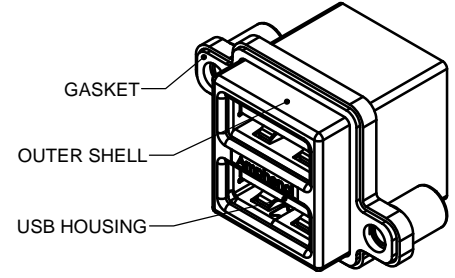
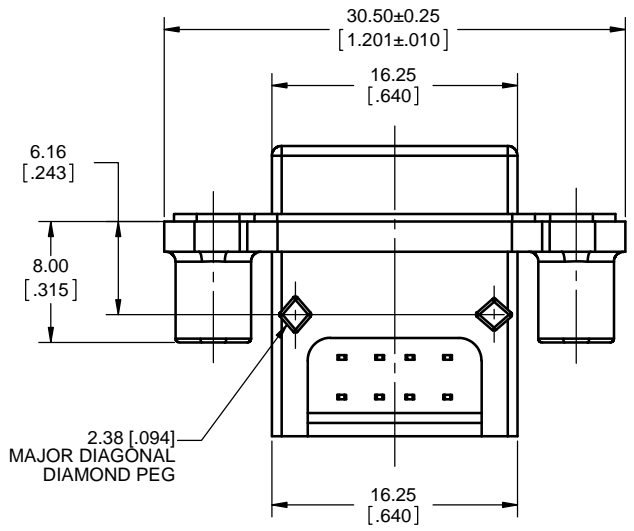
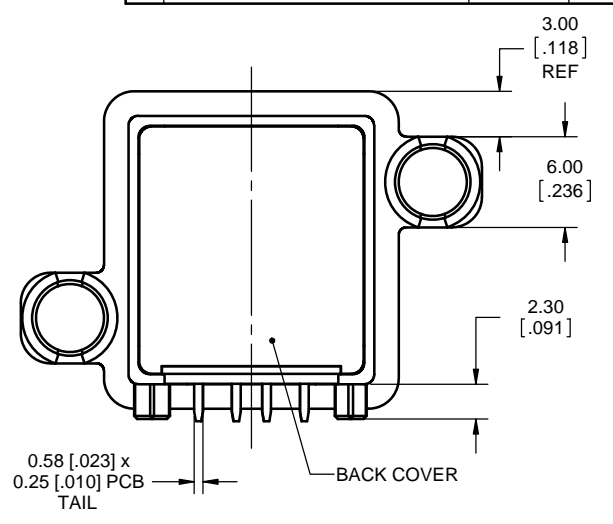
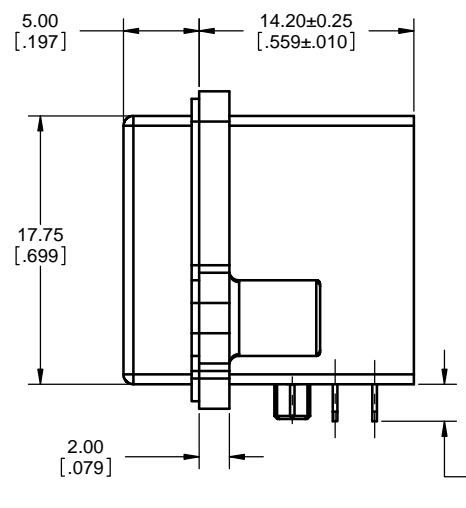
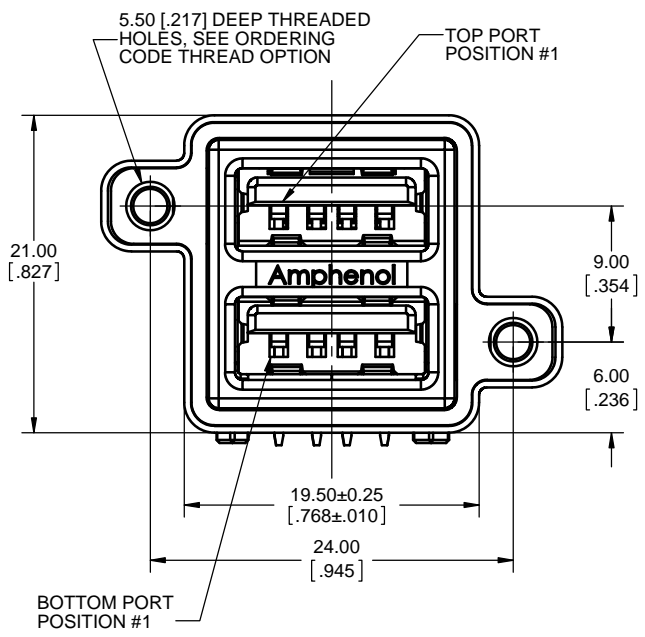


REVISIONS			
REV	DESCRIPTION, ECN, EAR NO.	DATE	APP'D
E	PRODUCT DRAWING (EAR 13902)	JUL12/11	K.L.
F	PRODUCT DRAWING (EAR 14330)	DEC11/14	K.L.



ORDERING CODE: MUSB-C111-XX

USB SERIES 'A' RECEPTACLE, STACKED, RIGHT ANGLE PCB TAIL
 SERIES, RUGGED USB
 THREAD OPTION
 3 = #4-40 UNC THREAD
 M = M3 x 0.5 THREAD
 DUST COVER OPTION
 0 = NO DUST COVER SUPPLIED
 1 = WITH GREY DUST COVERS SUPPLIED
 5 = WITH BLACK DUST COVERS SUPPLIED

NOTES:

- MATERIAL:**
 - ALL MATERIALS ARE RoHS COMPLIANT PER EU DIRECTIVE 2011/65/EU AND AMENDMENTS
 - OUTER SHELL - DIECAST ZINC ALLOY, NICKEL PLATED
 - CONTACTS - PHOSPHOR BRONZE, PLATED WITH 0.76 MICRONS (30 MICROINCHES) GOLD OVER 1.27 MICRONS (50 MICROINCHES) MINIMUM NICKEL ON THE MATING AREA WITH TIN PLATING ON THE TAILS.
 - USB HOUSING - ENGINEERING THERMOPLASTIC, HIGH TEMPERATURE RESISTANT, FLAMMABILITY RATING UL94V-0, BLACK.
 - USB SHIELD & BACK COVER - COPPER ALLOY, NICKEL PLATED
 - GASKET - SILICONE RUBBER, BLACK
 - DUST COVER - SILICONE RUBBER WITH NICKEL PLATED BRASS BUSHING. SEE ORDERING CODE FOR DUST COVER COLOUR OPTIONS. SEE SHEET 2 FOR DUST COVER VIEWS.
- ENVIRONMENTAL PERFORMANCE PER IEC 60529 CODE IP67 FOR SEAL BETWEEN MATING AREA AND PCB SIDE OF CONNECTOR. GASKET PROVIDES SEAL TO INSIDE FACE OF ENCLOSURE PANEL. AVAILABLE DUST COVERS PROVIDE ADDED PROTECTION.
- CURRENT RATING: 1.5 AMPERES
- CONTACT RESISTANCE: 30 MILLIOHMS MAXIMUM.
- OPERATING TEMPERATURE: -40°C TO +105°C.
- DUST COVERS MAY BE ORDERED SEPARATELY. SPECIFY
 - PART NUMBER MUSB-2A111-014BP FOR THE GREY COVER OR
 - PART NUMBER MUSB-2A111-024BP FOR THE BLACK COVER.

SPECIAL CONNECTORS:
 MANY UNIQUE FEATURES ARE READILY AVAILABLE TO SUIT CUSTOMER REQUIREMENTS. CONSULT WITH AMPHENOL CANADA FOR DETAILS.



THIS DOCUMENT CONTAINS PROPRIETARY INFORMATION AND SUCH INFORMATION MAY NOT BE DISCLOSED TO OTHERS FOR ANY PURPOSE OR USED FOR MANUFACTURING PURPOSES WITHOUT WRITTEN PERMISSION FROM AMPHENOL CANADA CORP.

UNLESS SPECIFIED OTHERWISE	DRAWN G.LI	MAR31/08
PRIMARY UNITS MILLIMETERS	CHECKED K.LAMBIE	APR02/08
SECONDARY INCHES	M.E. APP'D	
REFERENCE IN PARENTHESSES	Q.A. APP'D	
GENERAL TOLERANCES	DWG APPR. K.LAMBIE	APR02/08
1 DECIMAL PLACE	ENG. REL. NO.	
2 DECIMAL PLACES ±0.15	REF.	
3 DECIMAL PLACES	THIRD ANGLE PROJECTION	
ANGULAR DEGREES	DO NOT SCALE DRAWING	

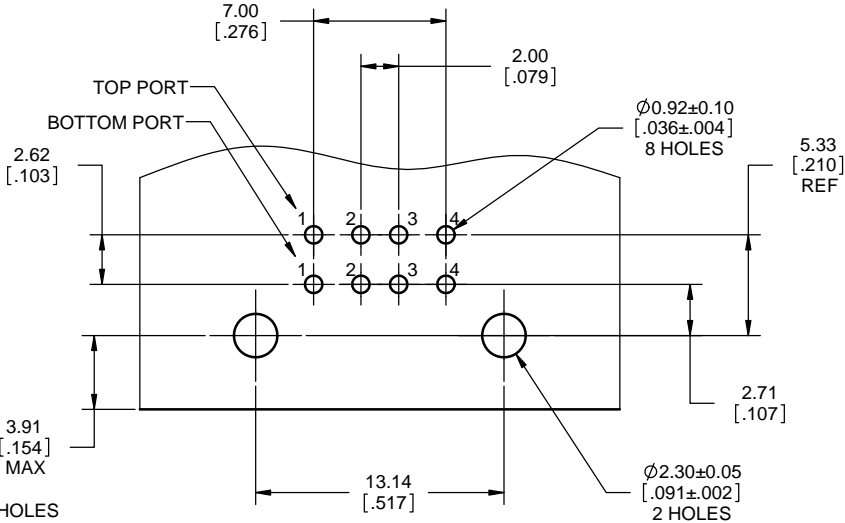
Amphenol Canada Corp.
 www.amphenolcanada.com

MUSB RUGGED USB CONNECTOR, SERIES 'A' RECEPTACLE, STACKED, RIGHT ANGLE PCB TAIL, THREAD AND DUST COVER OPTIONS, RoHS COMPLIANT

DWG. NO. **P-MUSB-C111-XX** REV **F**

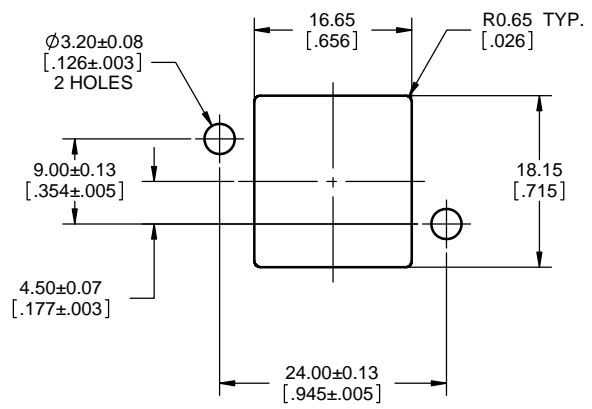
CODE ID NO. 03554 DWG SIZE: C SCALE: 4:1 SHEET 1 OF 2

REVISIONS			
REV	DESCRIPTION, ECN, EAR NO.	DATE	APP'D
E	PRODUCT DRAWING (EAR 13902)	JUL21/11	K.L.
F	PRODUCT DRAWING (EAR 14330)	DEC11/14	K.L.

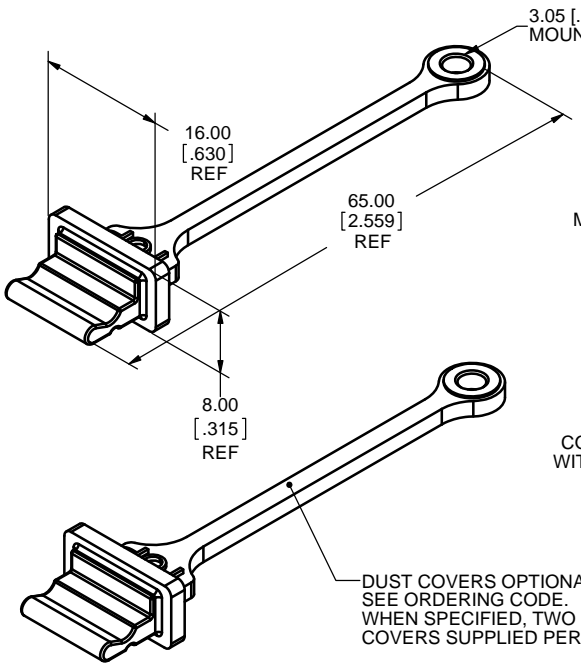


RECOMMENDED P.C.B. LAYOUT
COMPONENT SIDE OF BOARD

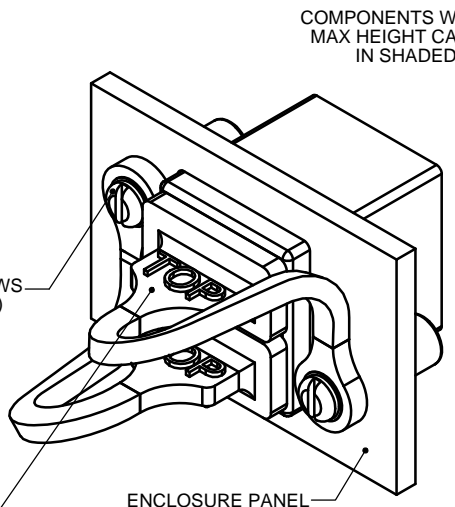
LOCATE HOLES
 $\varnothing 0.13 [0.005]$ DIA
 POSITION DIMENSIONS
 ARE BASIC



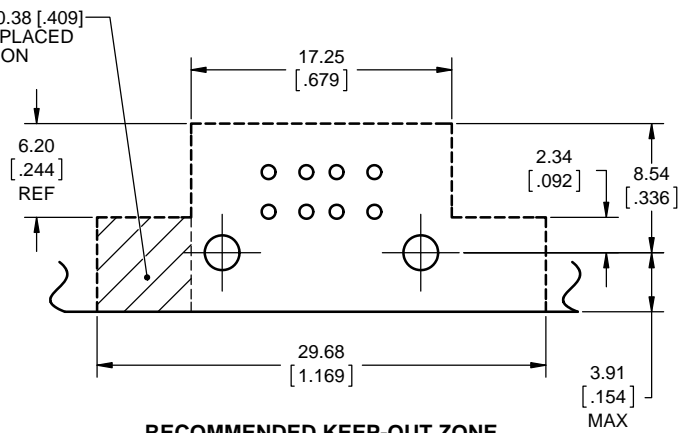
RECOMMENDED PANEL CUTOUT
OUTSIDE OF PANEL



DUST COVERS OPTIONAL
 SEE ORDERING CODE.
 WHEN SPECIFIED, TWO DUST
 COVERS SUPPLIED PER CONNECTOR



DUST COVER APPLICATION VIEW



RECOMMENDED KEEP-OUT ZONE
COMPONENT SIDE OF BOARD



UNLESS SPECIFIED OTHERWISE	DRAWN G.LI	MAR31/08
PRIMARY UNITS MILLIMETERS	CHECKED K.LAMBIE	APR02/08
SECONDARY INCHES	M.E. APP'D	
REFERENCE IN PARENTHESES	Q.A. APP'D	
GENERAL TOLERANCES	DWG APPR. K.LAMBIE	APR02/08
1 DECIMAL PLACE	ENG. REL. NO.	
2 DECIMAL PLACES ±0.15	REF.	
3 DECIMAL PLACES	THIRD ANGLE PROJECTION	DO NOT SCALE DRAWING
ANGULAR DEGREES		

Amphenol Canada Corp.
www.amphenolcanada.com

MUSB RUGGED USB CONNECTOR, SERIES 'A'
 RECEPTACLE, STACKED, RIGHT ANGLE PCB TAIL,
 THREAD AND DUST COVER OPTIONS,
 RoHS COMPLIANT

DWG. NO. **P-MUSB-C111-XX** REV **F**

CODE ID NO. 03554 DWG SIZE: C SCALE: 5:1 SHEET 2 OF 2

Mouser Electronics

Authorized Distributor

Click to View Pricing, Inventory, Delivery & Lifecycle Information:

[Amphenol:](#)

[MUSBC111M1](#) [MUSB-C111-M0](#) [MUSB-C111-30](#)