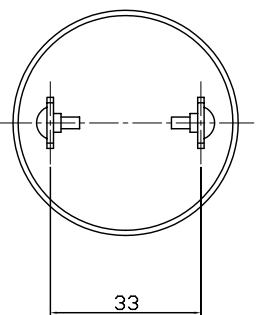
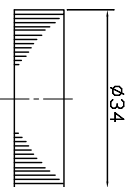
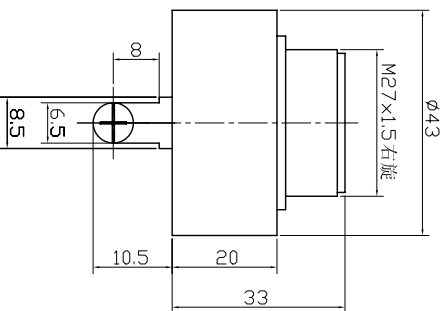
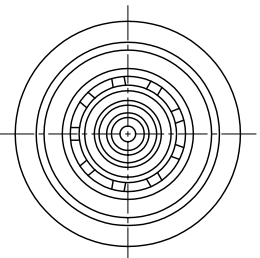


SPECIFICATION

- 1. Rated Voltage 230VAC
- 2. Operating Voltage 200~240VAC
- 3. Max. Rated Current 20mA at 230VAC
- 4. Min. Sound Pressure Level 80dB at 230VAC/60cm
- 5. Tone Nature Continuous
- 6. Resonant Frequency 2.9±0.5KHz
- 7. Case Material PC
- 8. Operating Temperature -20~+80°C
- 9. Store Temperature -30~+100°C
- 10. Weight 40g



No.	DESCRIPTION	APPROVED	DATE	KEPO NINGBO KEEP IMPROVING ELECTRONIC CO.,LTD http://www.chinaacoustic.com	
TOLERANCES, UNLESS NOTED OTHERWISE	APPROVALS	DATE			
mm ±	DRAWN				
XXX ±	CHECKED				
FIRST ANGLE PROJECTION				UNIT	DWG NO.
				mm	KP3.840.098
APPROVED				SCALE	SHEET
				NOT TO SCALE	VER 1.0