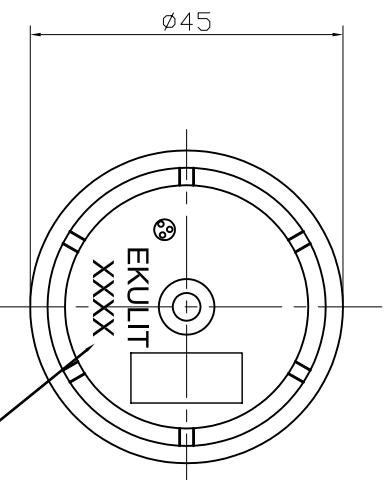
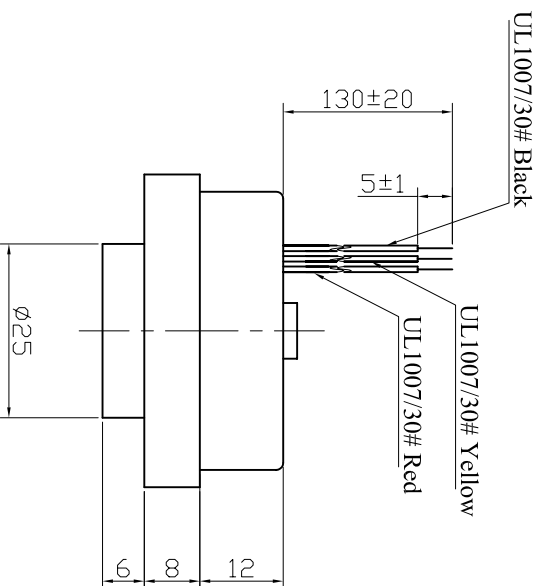


受 控

SPECIFICATION

1. Rated Voltage 12VDC.
2. Operating Voltage 3~16VDC.
3. Max. Rated Current 35(20)mA at 12VDC
4. Min. Sound Pressure Level..... 100(92)dB at 12VDC/30cm
5. Tone Nature Continuous+Slow Pulse
6. Resonant Frequency 3.2±0.5KHz.
7. Shell Material/Color..... ABS/White
8. Operating Temperature -20~+60°C.
9. Store Temperature -30~+70°C .
10. Weight 21g.
11. Remark:
 - Black Ground(-)
 - Red Continuous(+)
 - Yellow Slow Pulse(-)



客户PO号的后四位数字

No.		DESCRIPTION		APPROVED		DATE	
No. of SHEETS		NO. OF SHEETS		DRAWN		DATE	
X		X		CHECKED		DATE	
90°		90°		APPROVED		DATE	
FIRST ANGLE PROJECTION		FIRST ANGLE PROJECTION		梁树棠		10.04.20	
KEPO NINGBO KEPO ELECTRONIC CO.,LTD http://www.chinaacoustic.com				Compliance with ROHS			
Piezo Buzzer				Karl-Heinz			
KPI-G4513L-2167				OEM2167R			
UNIT		DWG NO.		SCALE		VER	
mm				NOT TO SCALE		1.2	