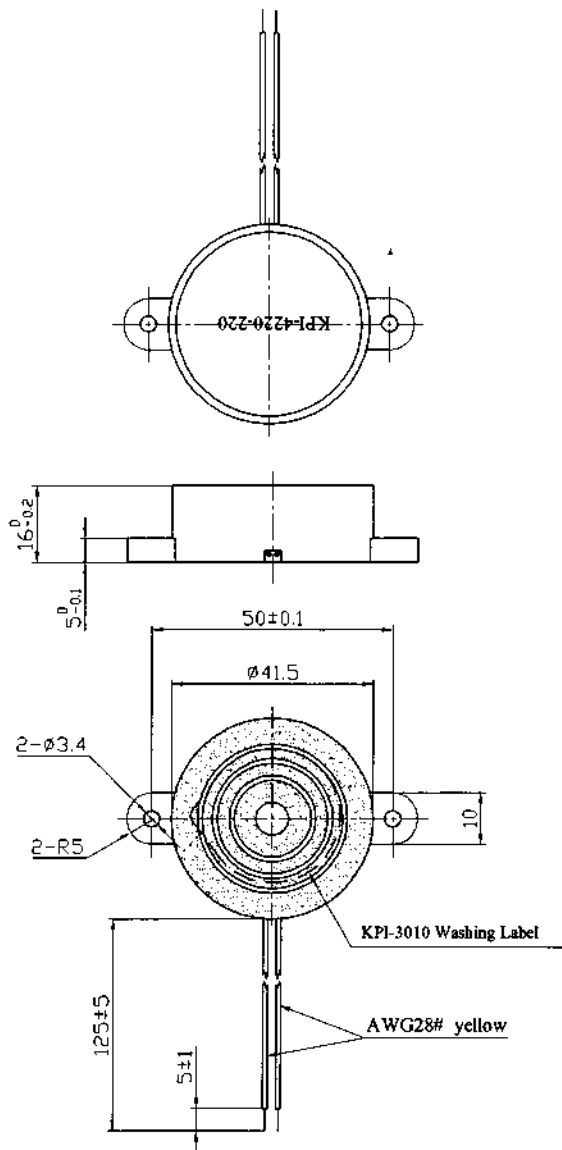


SPECIFICATION

- 1. Rated Voltage220VAC
- 2. Operating Voltage200~240VAC
- 3. Max. Rated Current15mA at 220VAC
- 4. Min. Sound Pressure Level.....92dB at 220VAC/30cm
- 5. Resonant Frequency2.8±0.5KHz
- 6. Tone Nature.....Continuous
- 7. Shell Material/ColorABS/Black
- 8. Operating Temperature-20~+60°C
- 9. Store Temperature-30~+70°C
- 10. Weight14g



		KEPO NINGBO KEPO ELECTRONIC CO.,LTD http://www.chinaacoustic.com	
No.	DESCRIPTION	APPROVED	DATE
		APPROVALS	
		DATE	
TOLERANCES UNLESS NOTED OTHERWISE 2X 3X 4X 5X 6X 7X 8X 9X 10X 12X 15X 20X 25X 30X 40X 50X 60X 70X 80X 100X		DRAWN	
FIRST ANGLE PROJECTION		CHECKED	
		APPROVED	
		UNIT	DWG NO.
		mm	OEM2935
		SCALE	SHEET
		NOT TO SCALE	VER 1.0