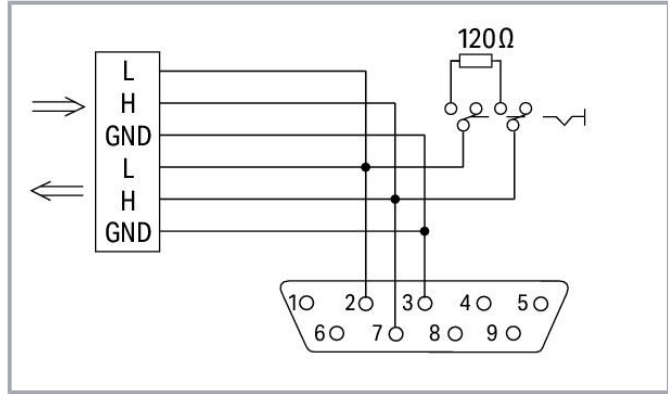


**Data sheet | Item number: 750-963**

Fieldbus Connector CANopen; with D-sub female connector; 9-pole

[www.wago.com/750-963](http://www.wago.com/750-963)

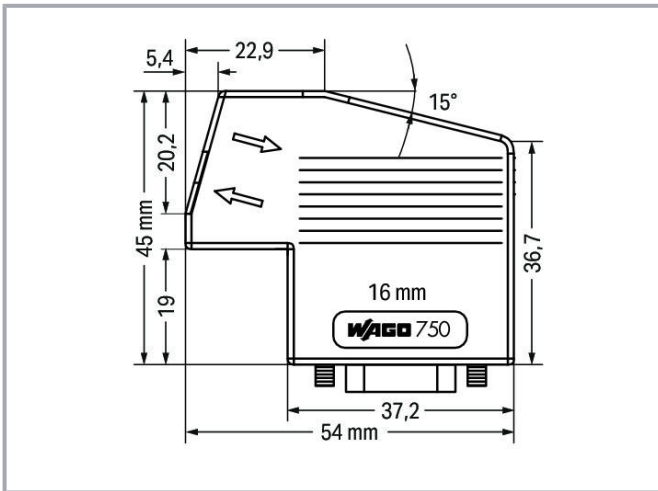


Color: —

Subject to changes. Please also observe the further product documentation!

WAGO GmbH & Co. KG  
Hansastr. 27  
32423 Minden  
Phone: +49571 887-0 | Fax: +49571 887-169  
Email: [info.de@wago.com](mailto:info.de@wago.com) | Web: [www.wago.com](http://www.wago.com)

Do you have any questions about our products?  
We are always happy to take your call at +49 (571) 887-44222.



## Item description

This fieldbus connector links a CANopen device to a CANopen line.

The fieldbus connector has the following features:

- Two horizontal cable entries for both input and output.
- Fast and maintenance-free CAGE CLAMP® connection – a locking slide keeps the clamping unit in its open position
- Externally operable switch to activate or deactivate the network terminating resistor

For the first and last station on the bus, the switch must be set to "ON" (terminating resistor activated)

Switch setting to "OFF" for downstream bus stations  
(terminating resistor deactivated)

## Data

### Technical data

Connection type	D-sub 9 socket
Pole No.	9
Communication/fieldbus	CANopen
Baud rate	10 kBd ... 1 MBd (per CANopen specification)

### Connection data

Connection type (1)	CAGE CLAMP® terminal strip with locking slide (218 Series)
Solid conductor	0.08 ... 0.5 mm <sup>2</sup> / 28 ... 20 AWG
Strip length	5 ... 6 mm / 0.2 ... 0.24 inch

Subject to changes. Please also observe the further product documentation!

## Physical data

Width	45 mm / 1.772 inch
Height	16 mm / 0.63 inch
Depth	54 mm / 2.126 inch

## Mechanical data

Connectable sheathed cable diameter	4.5 ... 9.5 mm
Cable glands (number)	2
Housing material	PA66-105-V2
Weight	27.6 g
Color	light gray

## Environmental requirements

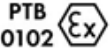
Surrounding air temperature (operation)	0 ... 60 °C
Surrounding air temperature (storage)	-25 ... 85 °C
Protection type	IP20
Relative humidity (without condensation)	95 %
Vibration resistance	4g per IEC 60068-2-6
Fire load	0.95 MJ

## Commercial data

Product Group	15 (Remote I/O)
PU (SPU)	1 Stück
Packaging type	bag
Country of origin	DE
GTIN	4045454344405
Customs tariff number	85366990990

## Approvals / Certificates



### Ex-Approvals

Logo	Approval	Additional Approval Text	Certificate name
	ATEX TUEV Nord Cert GmbH	EN 60079-0	TUEV_14_ATEX_148929_X (II 3 G Ex ex IIC T4 Gc)
	CCCEX CQST/CNEx	CNCA-C23-01	2020312310000215 (Ex nA IIC T4 Gc)







Subject to changes. Please also observe the further product documentation!



Ex nA IIC T4 Gc

	<b>EAC</b> Brjansker Zertifizierungsstelle	TP TC 012/2011	EAC RU C-DE.AM02.B. 00163/19 (2Ex nA IIC T4 Gc X)
	<b>IECEX</b> TUEV Nord Cert GmbH	IEC 60079-0	IECEX_TUN_14.0035_X (Ex ec IIC T4 Gc)
	<b>INMETRO</b> TÜV Rheinland do Brasil Ltda.	IEC 60079	BR-Ex_TÜV 12.1297 X

## Ship Approvals

Logo	Approval	Additional Approval Text	Certificate name
	<b>ABS</b> American Bureau of Shipping	-	19- HG1821926
	<b>BV</b> Bureau Veritas S.A.	-	30389/B1 BV
	<b>DNV GL</b> Det Norske Veritas, Germanischer Lloyd	-	TAA0000194
	<b>KR</b> Korean Register of Shipping	-	KR HMB05880- AC001
	<b>LR</b> Lloyds Register EMEA	-	02/20026 (E6)
	<b>NK</b> Nippon Kaiji Kyokai	-	TA17255M
	<b>PRS</b> Polski Rejestr Statków	-	TE/2236 /880590/19


Subject to changes. Please also observe the further product documentation!



RINA  
RINA Germany GmbH

ELE066419XG

### UL-Approvals

Logo	Approval	Additional Approval Text	Certificate name
	UL UL International Netherlands B.V. (ORDINARY LOCATIONS)	UL 508	E175199 Sec.1

### Downloads

#### Documentation

##### Manual

System Manual WAGO I/O System 750 / 753 Decentralized Automation Technology	V 3.0.3 17-Nov-2021	pdf 6.6 MB	Download
--	------------------------	---------------	----------

##### Bid Text

750-963 X81 - Datei	19-Feb-2019	xml 4.6 kB	Download
750-963 doc - Datei	06-Oct-2017	doc 25.1 kB	Download

##### Additional Information

Disposal; Electrical and electronic equipment, Packaging	V 1.0.0	pdf 265.8 kB	Download
--	---------	-----------------	----------

##### System Description

Overview on WAGO-I/O-SYSTEM 750 approvals		pdf 780.2 kB	Download
---	--	-----------------	----------

### CAD/CAE-Data

#### CAD data

2D/3D Models 750-963		URL	Download
----------------------	--	-----	----------

Subject to changes. Please also observe the further product documentation!

WAGO GmbH & Co. KG  
Hansastr. 27  
32423 Minden  
Phone: +49571 887-0 | Fax: +49571 887-169  
Email: [info.de@wago.com](mailto:info.de@wago.com) | Web: [www.wago.com](http://www.wago.com)

Do you have any questions about our products?  
We are always happy to take your call at +49 (571) 887-44222.



#### CAE data

EPLAN Data Portal 750-963	<a href="#">URL</a>	<a href="#">Download</a>
WSCAD Universe 750-963	<a href="#">URL</a>	<a href="#">Download</a>
ZUKEN Portal 750-963	<a href="#">URL</a>	<a href="#">Download</a>

#### Environmental Product Compliance

##### Compliance Search

Environmental Product Compliance 750-963 Fieldbus Connector CANopen; with D-sub female connector; 9-pole	<a href="#">URL</a>	<a href="#">Download</a>
---	---------------------	--------------------------

#### Installation Notes

Subject to changes. Please also observe the further product documentation!