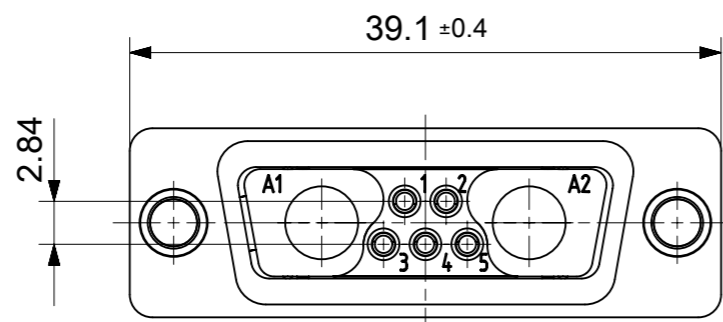
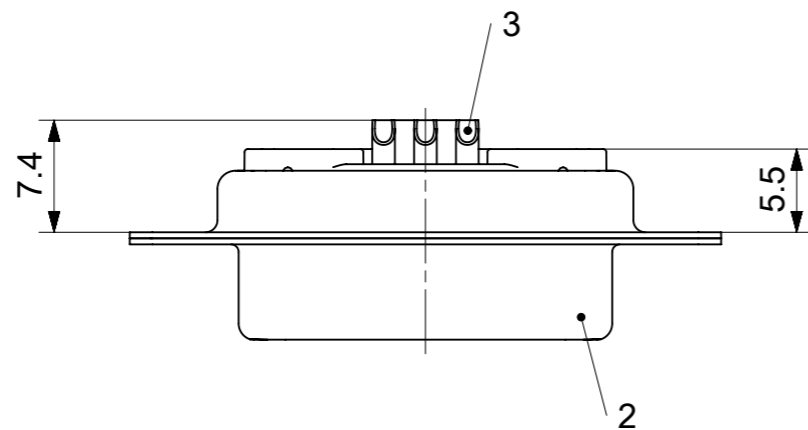
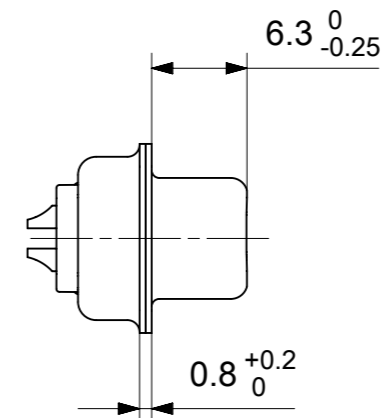
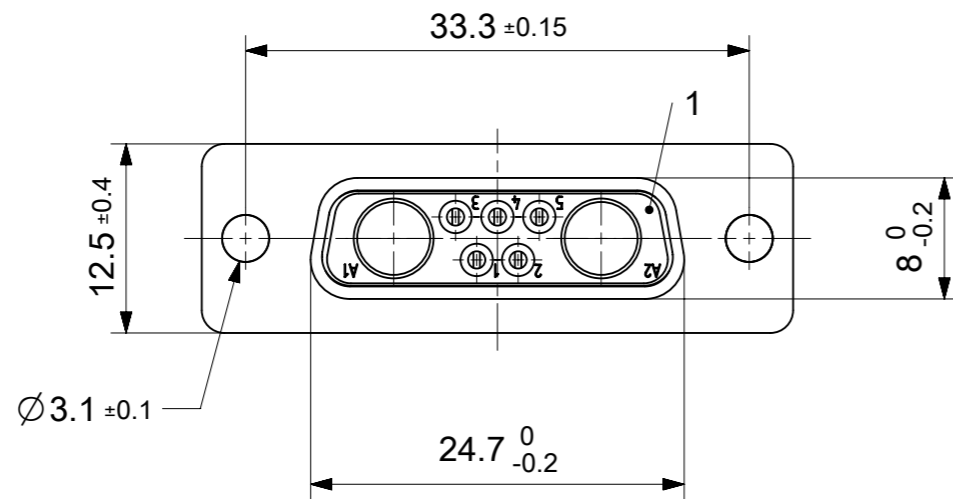


RoHS compliant
by exemption



3	5	Signal contact	S0 / Brass	0.8µm Au / AWG 20
2	1	Shell	Steel	tin plated
1	1	Insulator	PBT (-55°C to +130°C) acc. UL94V-0	green
No.	Pc.	Part	Type Description/Material	Surface plating/ Color/Class

MEASUREMENTS WITHOUT TOLERANCE ACC TO ISO 2768-m REPLACEMENT FOR DOCUMENT NUMBER: FM7W2S-K121

FUNCTIONAL SYMBOLS	THIS DRAWING CONTAINS INFORMATION THAT IS PROPRIETARY TO MOLEX ELECTRONIC TECHNOLOGIES, LLC AND SHOULD NOT BE USED WITHOUT WRITTEN PERMISSION	CURRENT REV DESC:		molex																																	
	<table border="1"> <tr> <td>FUNCTIONAL SYMBOLS</td> <td>DIMENSION UNITS</td> <td>SCALE</td> </tr> <tr> <td>$\nabla_A = 0$</td> <td>mm</td> <td>2:1</td> </tr> <tr> <td colspan="3">GENERAL TOLERANCES (UNLESS SPECIFIED)</td> </tr> <tr> <td>$\nabla_F = 0$</td> <td colspan="2">ANGULAR TOL ± °</td> </tr> <tr> <td>$\nabla_V = 0$</td> <td>4 PLACES</td> <td>±</td> </tr> </table>	FUNCTIONAL SYMBOLS	DIMENSION UNITS		SCALE	$\nabla_A = 0$	mm	2:1	GENERAL TOLERANCES (UNLESS SPECIFIED)			$\nabla_F = 0$	ANGULAR TOL ± °		$\nabla_V = 0$	4 PLACES	±	<table border="1"> <tr> <td>EC NO:</td> <td>727531</td> </tr> <tr> <td>DRWN:</td> <td>MSTEINBRUECK</td> </tr> <tr> <td>CHK'D:</td> <td>MTEUBEL</td> </tr> <tr> <td>APPR:</td> <td>MTEUBEL</td> </tr> </table>	EC NO:	727531	DRWN:	MSTEINBRUECK	CHK'D:	MTEUBEL	APPR:	MTEUBEL	<table border="1"> <tr> <td>2022/11/11</td> </tr> <tr> <td>2022/11/17</td> </tr> <tr> <td>2022/11/17</td> </tr> </table>	2022/11/11	2022/11/17	2022/11/17	FCT D-SUB MIXED-LAYOUT CONNECTOR FCT PART NUMBER: FM7W2S-K121						
FUNCTIONAL SYMBOLS	DIMENSION UNITS	SCALE																																			
$\nabla_A = 0$	mm	2:1																																			
GENERAL TOLERANCES (UNLESS SPECIFIED)																																					
$\nabla_F = 0$	ANGULAR TOL ± °																																				
$\nabla_V = 0$	4 PLACES	±																																			
EC NO:	727531																																				
DRWN:	MSTEINBRUECK																																				
CHK'D:	MTEUBEL																																				
APPR:	MTEUBEL																																				
2022/11/11																																					
2022/11/17																																					
2022/11/17																																					
DIVISIONAL SYMBOLS	<table border="1"> <tr> <td>DIVISIONAL SYMBOLS</td> <td>PLACES</td> <td>TOL</td> </tr> <tr> <td>$\nabla_A = 0$</td> <td>3</td> <td>±</td> </tr> <tr> <td>$\nabla_F = 0$</td> <td>2</td> <td>±</td> </tr> <tr> <td>$\nabla_V = 0$</td> <td>1</td> <td>±</td> </tr> <tr> <td>$\nabla_W = 0$</td> <td>0</td> <td>±</td> </tr> </table>	DIVISIONAL SYMBOLS	PLACES	TOL	$\nabla_A = 0$	3	±	$\nabla_F = 0$	2	±	$\nabla_V = 0$	1	±	$\nabla_W = 0$	0	±	<table border="1"> <tr> <td>INITIAL REVISION:</td> <td></td> </tr> <tr> <td>DRWN:</td> <td>ABHILT2</td> </tr> <tr> <td>APPR:</td> <td>MTEUBEL</td> </tr> <tr> <td>2022/06/14</td> <td></td> </tr> <tr> <td>2022/10/25</td> <td></td> </tr> </table>	INITIAL REVISION:		DRWN:	ABHILT2	APPR:	MTEUBEL	2022/06/14		2022/10/25		<table border="1"> <tr> <td>DOCUMENT NUMBER</td> <td>DOC TYPE</td> <td>DOC PART</td> <td>REVISION</td> </tr> <tr> <td>1731070060</td> <td>PSD</td> <td>000</td> <td>A1</td> </tr> </table>	DOCUMENT NUMBER	DOC TYPE	DOC PART	REVISION	1731070060	PSD	000	A1	PRODUCT CUSTOMER DRAWING
DIVISIONAL SYMBOLS	PLACES	TOL																																			
$\nabla_A = 0$	3	±																																			
$\nabla_F = 0$	2	±																																			
$\nabla_V = 0$	1	±																																			
$\nabla_W = 0$	0	±																																			
INITIAL REVISION:																																					
DRWN:	ABHILT2																																				
APPR:	MTEUBEL																																				
2022/06/14																																					
2022/10/25																																					
DOCUMENT NUMBER	DOC TYPE	DOC PART	REVISION																																		
1731070060	PSD	000	A1																																		
DRAFT WHERE APPLICABLE MUST REMAIN WITHIN DIMENSIONS		FIRST ANGLE PROJECTION	DRAWING	SERIES	MATERIAL NUMBER	CUSTOMER	SHEET NUMBER																														
			A3-SIZE	173107	1731070060	GENERAL MARKET	1 OF 1																														