

# Customer Information Sheet

DRAWING No.: M50-355XX42

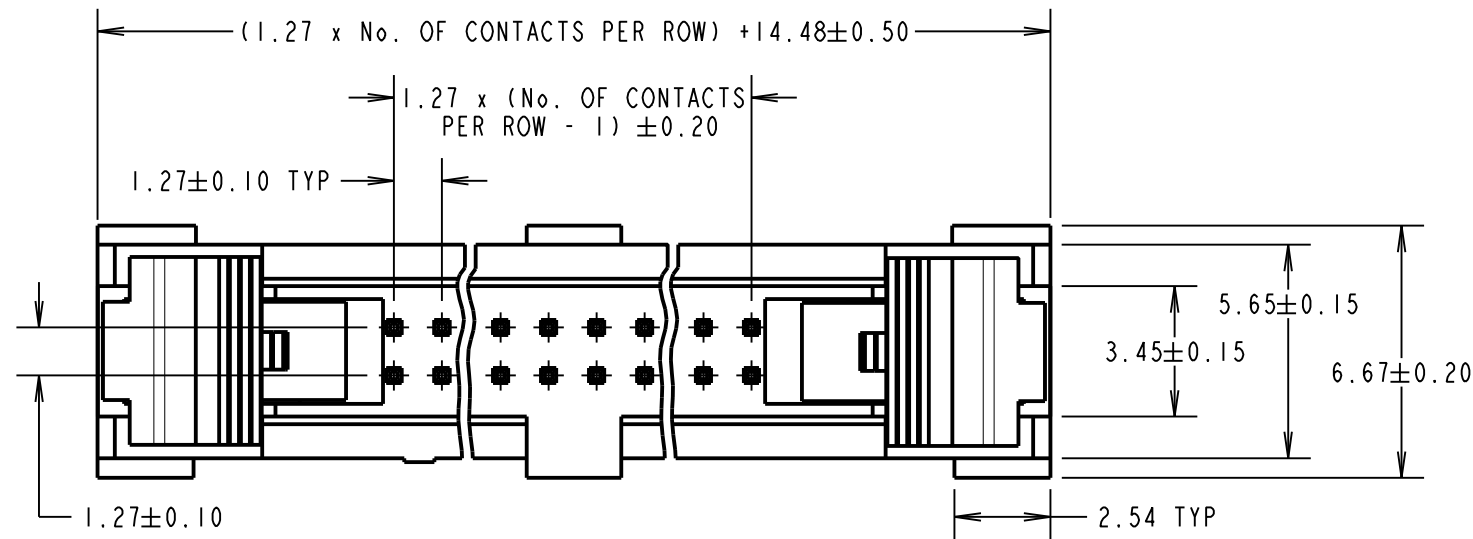
IF IN DOUBT - ASK

©

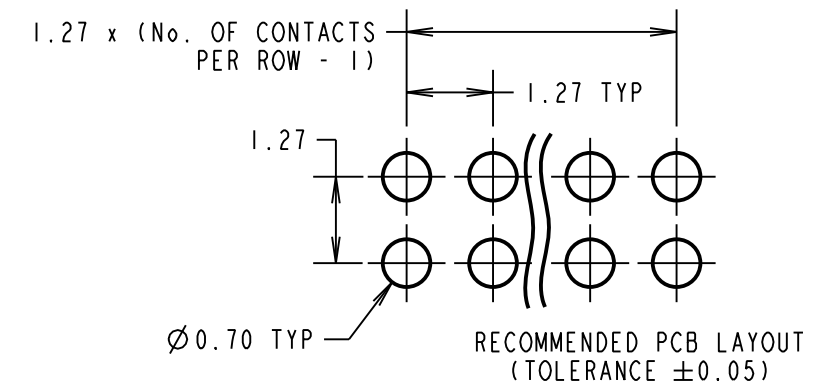
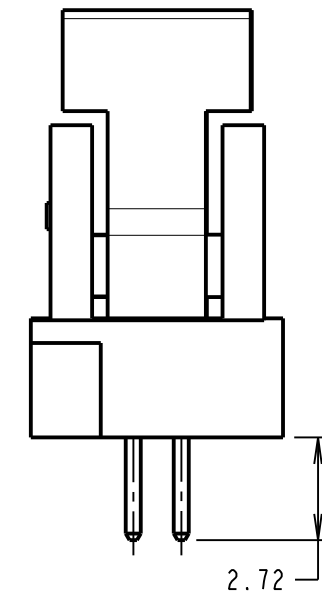
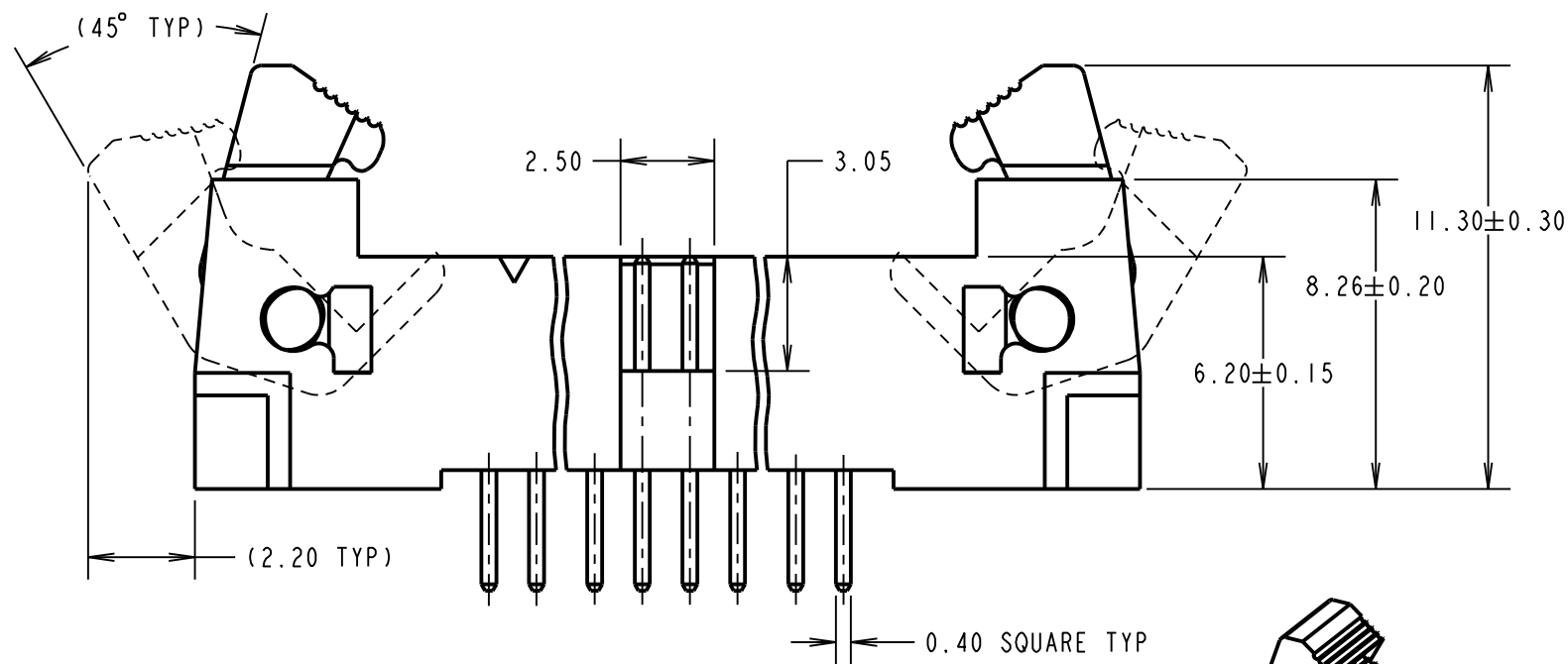
NOT TO SCALE

THIRD ANGLE PROJECTION

ALL DIMENSIONS IN mm



**SPECIFICATIONS:**  
**MATERIALS:**  
 MOULD = LCP, 30% G/F, UL94V-0  
 CONTACT = BRASS  
**FINISH:**  
 42 = 0.015-0.02µm GOLD ON CONTACTS,  
 2.54µm 100% TIN ON TAILS, OVER 0.76-2.03µm NICKEL  
**MECHANICAL:**  
 DURABILITY = 300 CYCLES MIN  
 INSERTION FORCE = 1.0N MAX PER CONTACT  
 WITHDRAWAL FORCE = 0.14N MIN PER CONTACT  
**ELECTRICAL:**  
 RATED CURRENT = 1.75A  
 CONTACT RESISTANCE = 20mΩ MAX  
 WITHSTAND VOLTAGE = 500V ACrms/DC FOR 1 MINUTE  
 INSULATION RESISTANCE = 5000MΩ MIN  
**ENVIRONMENTAL:**  
 OPERATING TEMPERATURE = -55°C TO +125°C  
**PACKING:**  
 TUBE



**Active products:**  
 M50-3550542  
 M50-3550642  
 M50-3550842  
 M50-3551042  
 M50-3551342  
 M50-3551742  
 M50-3552042  
 M50-3552542

**OBSOLETE**  
 All other size/finish combinations not listed above

**ORDER CODE:** M50-355XX42  
 No. OF CONTACTS PER ROW: 05, 06, 07, 08, 10, 13, 17, 20, 25  
**FINISH:** SELECTIVE GOLD, TIN

MGP	8	01.07.21	30628
NAME	ISS.	DATE	CN/CO
APPROVED: MGP			
CHECKED: RA			
DRAWN: R.ADDE			
CUSTOMER REF.:			
ASSEMBLY DRG:			

- NOTES:**  
 1. FOR COMPLETE SPECIFICATION, SEE COMPONENT SPECIFICATION CO29XX (LATEST ISSUE).  
 2. ALL TOLERANCES ARE ±0.25 UNLESS OTHERWISE STATED.  
 3. CONNECTOR IS RoHS AND REACH COMPLIANT.

**HARWIN**  
 www.harwin.com  
 technical@harwin.com

THIS DRAWING AND ANY INFORMATION OR DESCRIPTIVE MATTER SET OUT HEREON ARE CONFIDENTIAL AND COPYRIGHT PROPERTY OF THE HARWIN GROUP AND MUST NOT BE DISCLOSED, LOANED, COPIED OR USED FOR MANUFACTURING, TENDERING OR FOR ANY OTHER PURPOSE WITHOUT THEIR WRITTEN PERMISSION.

**TOLERANCES**  
 X = ±1mm  
 X.X = ±0.50mm  
 X.XX = ±0.20mm  
 X.XXX = ±0.01mm  
 ANGLES = ±5°  
 UNLESS STATED

**MATERIAL:** SEE ABOVE  
**FINISH:** SEE ABOVE  
**S/AREA:** mm<sup>2</sup>

**TITLE:** 1.27mm DIL PC TAIL EJECTOR HEADER  
**DRAWING NUMBER:** M50-355XX42

# Mouser Electronics

Authorized Distributor

Click to View Pricing, Inventory, Delivery & Lifecycle Information:

[Harwin:](#)

[M50-3552542](#) [M50-3551342](#) [M50-3551742](#) [M50-3552042](#) [M50-3550542](#) [M50-3551042](#) [M50-3550842](#) [M50-3550642](#) [M50-3550742](#)