

Display incl. Testboard and Power Supply



Dimension (carton) 375x265x55mm (carton)

FEATURES

- 5", 7" OR 10.1" DISPLAY FROM EA uniTFT SERIES
- PCAP TOUCHPANEL
- INCL. TEST BOARD FOR A INTERFACES RS-232, I²C, SPI
- WITH ON-BOARD SPEAKER
- INCL. POWER SUPPLY WITH INTERNATIONAL PLUG FOR EU, UK, US AND AUS

ORDERING CODES

5" uniTFT, 800x480 DOTS INCL. PCAP AND TESTBOARD
7" uniTFT, 1024x600 DOTS INCL. PCAP AND TESTBOARD
10.1" uniTFT, 1280x800 DOTS INCL. PCAP AND TESTBOARD

EA QUICKuniTFT050C
EA QUICKuniTFT070C
EA QUICKuniTFT101C

CONTENT

Revision History.....	2
Starting fast and easy.....	3
The displays EA uniTFTxxx.....	3
Test board EA 93998-A.....	4
Power supply.....	4
Interface connection.....	5
Dimension EA 93998-A.....	6

REVISION HISTORY

Date	Rev.	Page	Description
12. Dec. 2018	1.0	All	First issue
5. Mar. 2019		All	Adding EA QUICKuniTFT101C



STARTING FAST AND EASY

With the EA QUICKSTARTuniTFT ELECTRONIC ASSEMBLY provides a kit containing a display with touch panel and a small test board incl. power supply. It's an easy doing to plug in the power adaptor and immediately the display will run and show a small demo. All slave interfaces RS-232, SPI and I²C can be used with standard 1/10" eyelets. Even some I/O ports (analogue and digital) are available for simple test build.

THE DISPLAYS EA uniTFTxxx

The EA QUICKuniTFTxxx starter kit comes with a 5", 7" or 10.1" TFT display including touchpanel.

Theses EA uniTFT displays are providing sophisticated graphical functions and intuitive menu control with its built-in instruction set. Thanks to the integrated instruction set and the Windows design software, uniSKETCH, not only electronics specialists, but also experts in the field of design and user guidance are able to create the entire HMI.

The display modules are immediately ready for operation with 3.3 V, controlled via the built-in serial interfaces RS232, SPI, I²C or USB.

Object-oriented "programming", the wide set of commands, and the integrated but extensible Unicode fonts make "time-to-market" a breeze.

Currently are 3 different sizes available: 5" with 800x480 dots, 7" IPS with 1024x600 dots and 1000cd/m² and 10.1" IPS with 1280x800 dots and 1000cd/m².

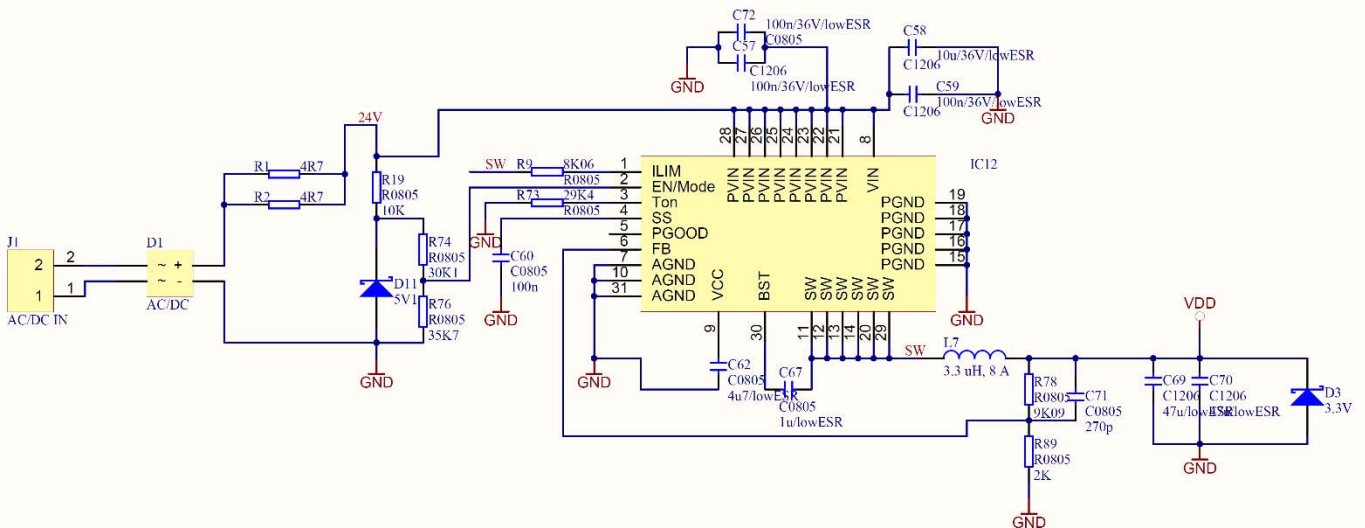
For more information and detailed description please visit our website <https://www.lcd-module.com/produkte/unitft.html>.



TEST BOARD EA 93998-A

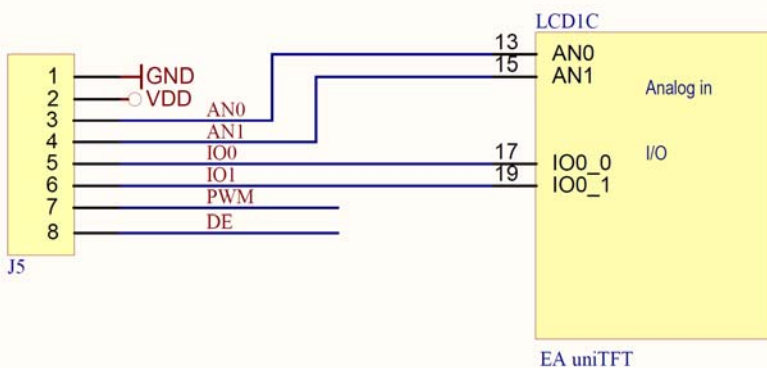
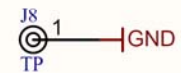
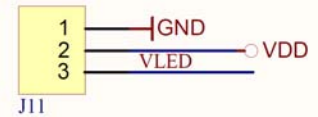
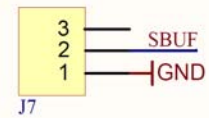
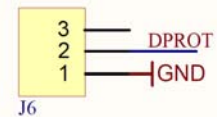
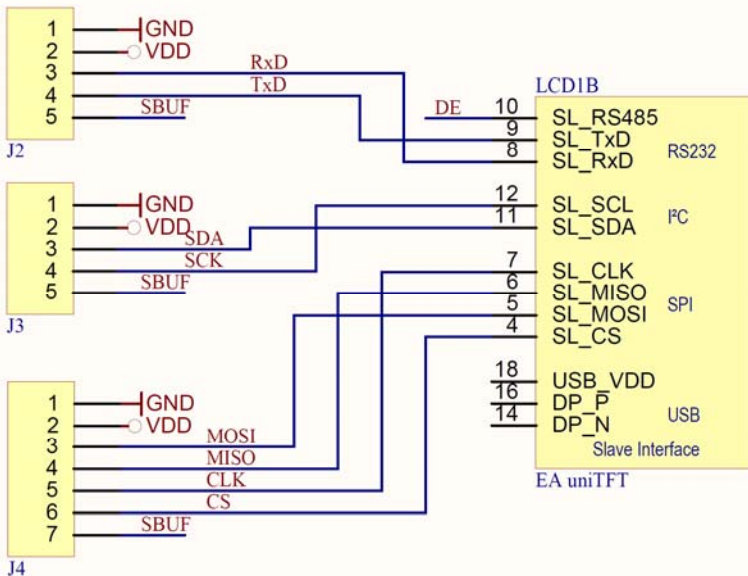
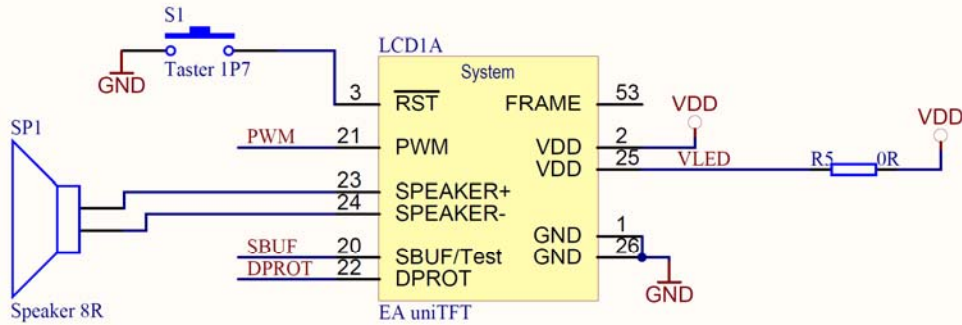
POWER SUPPLY

The EA QUICKuniTFTxxx comes with a test board EA 93998-A. This small pcb helps to power up the display EA uniTFTxxx in a very easy way. As display is running with 3.3V, the board includes an integrated buck converter for 24V= input voltage. The shipment also contains a power plug with international plug for EU, UK, US and AUS, so you do not need to search for any power adaptor. Even when you use your own power supply, thanks to the built-in bridge rectifier polarity is not a matter.

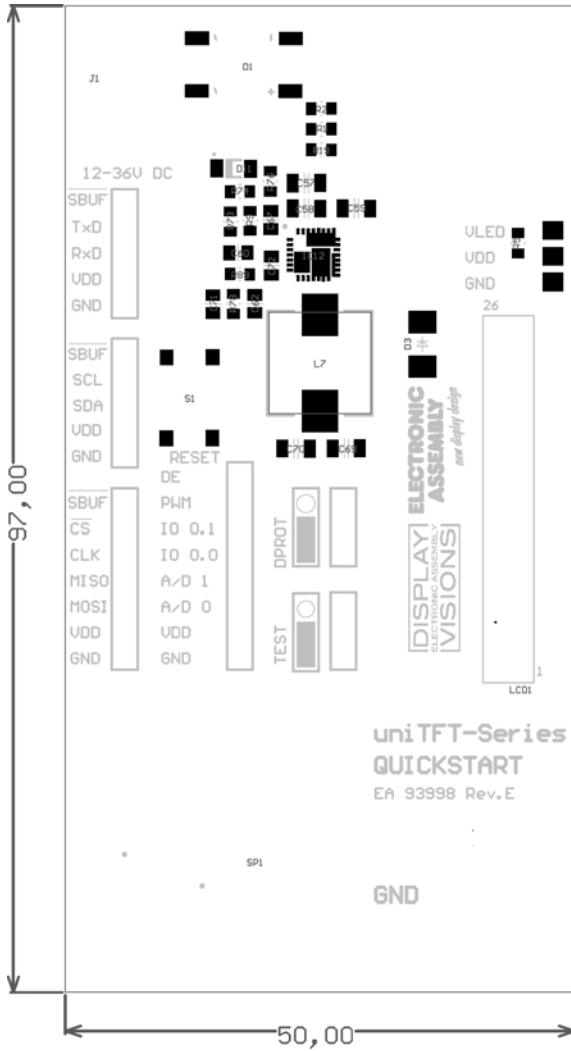


INTERFACE CONNECTION

The board also includes a speaker for any (touch) sounds provided by the display. The most important interfaces are connected to a 1/10" eyelet to become connected to your μ C system e.g.



DIMENSION EA 93998-A



all dimension are in mm

Mouser Electronics

Authorized Distributor

Click to View Pricing, Inventory, Delivery & Lifecycle Information:

Display Visions:

[EA QUICKuniTFT050C](#) [QUICKUNITFT101C](#) [EA QUICKUNITFT101C](#) [EA QUICKuniTFT070C](#)