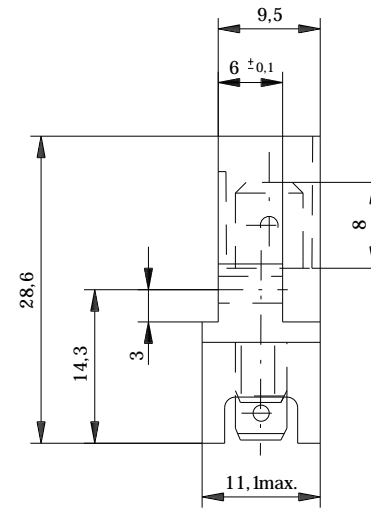
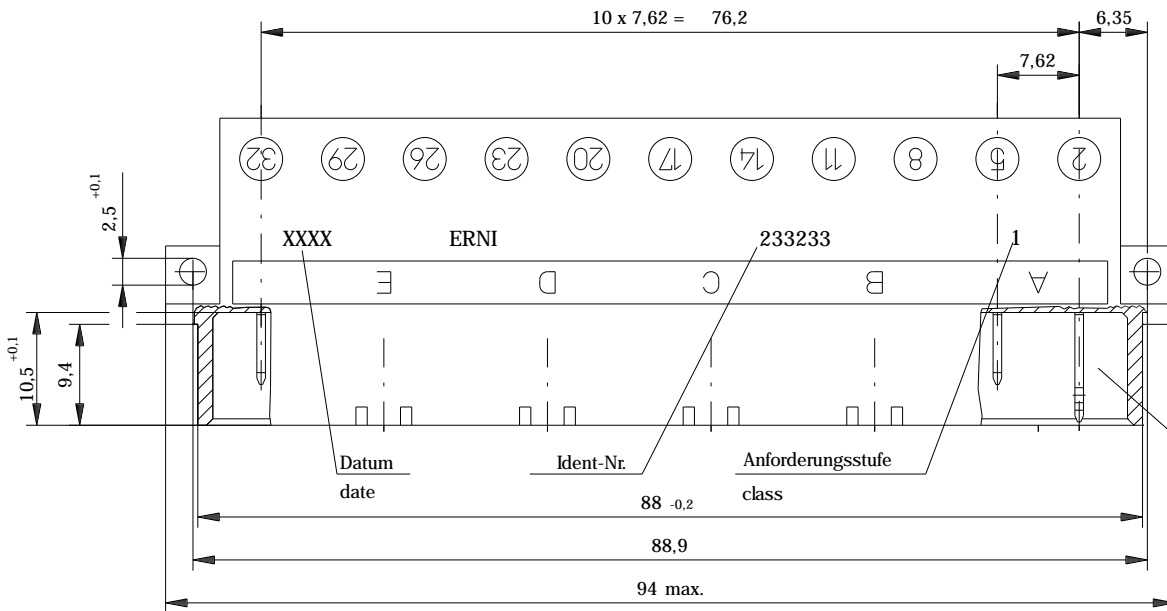
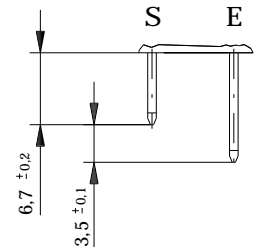


Stecklänge/ mating length



E = early mate, / voreilend late break
S = standard

Stecklänge
mating length

Flachstecker 6,3 x 0,8 mm / Slip-on tabs 6,3 x 0,8 mm

Isolierwerkstoff / housing material : PC GF30

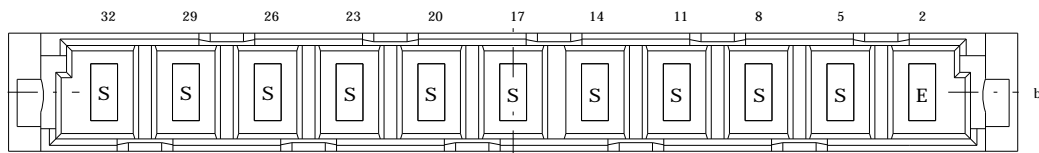
Bauart 3 / type 3

Anforderungsstufe 1 = 500 Steckzyklen / performance class 1 = 500 mating cycles


Fehlende Maße und Angaben gemäß IEC 60 603-2 / DIN EN 60 603-2

Missing information and dimensions according to IEC 60 603-2

Bestückungsplan / contact layout



Consider protection memo from DIN 94

Information:		Tolerances  All Dimensions in mm	Scale 2:1
All rights reserved. Only for information. To insure that this is the latest version of this drawing, please contact one of the ERNI companies before using.		Subject to modification without prior notice. Drawing will not be updated.	Designation Messerleiste H 11 Male Connector H 11
a		17.03.2003	www.ERNI.com
Index		Date	
		V:00032113.SZA	233233
			1
			STVH11

Mouser Electronics

Authorized Distributor

Click to View Pricing, Inventory, Delivery & Lifecycle Information:

[TE Connectivity:](#)

[233233](#) [233233-E](#)