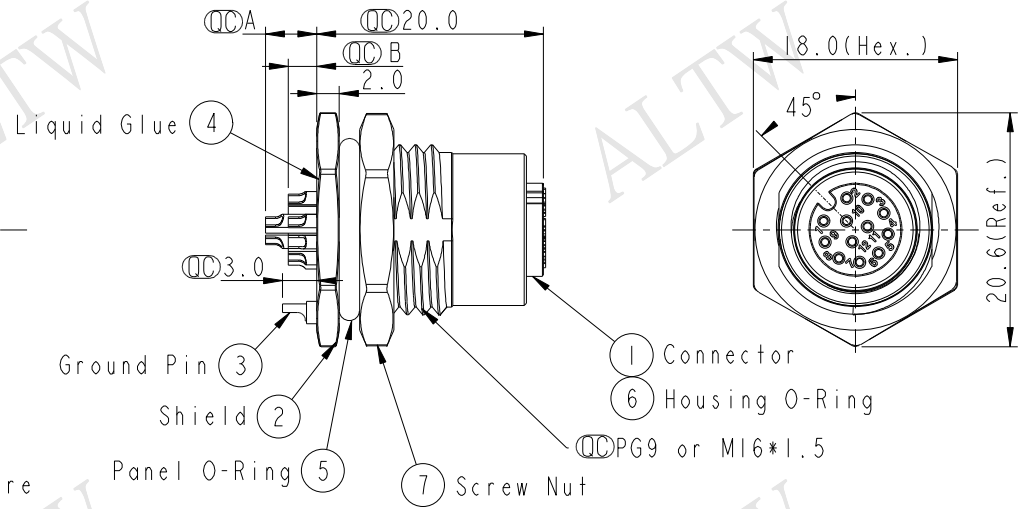
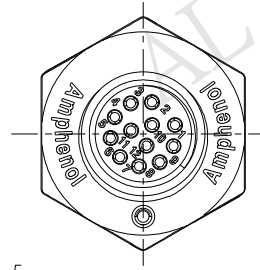
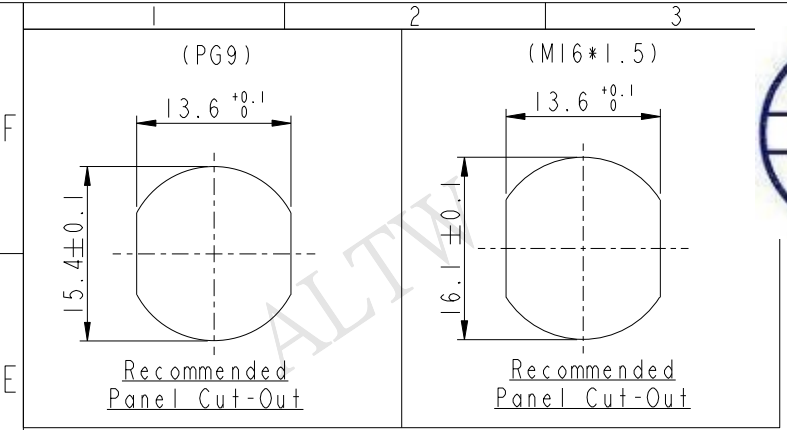


THIS DOCUMENT IS SUBJECT TO CHANGE WITHOUT NOTICE. IT IS CONFIDENTIAL AND A PROPERTY OF Amphenol LTW. DISCLOSURE TO THIRD PARTY HAS TO BE AUTHORIZED BY Amphenol LTW.

REV.	ECN NO.	DATE	SIGN	DESCRIPTION
A	Initial Release	2017-05-22	Feng_Li	Change Rev.01 To Rev.A



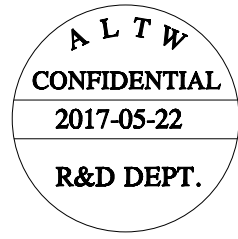
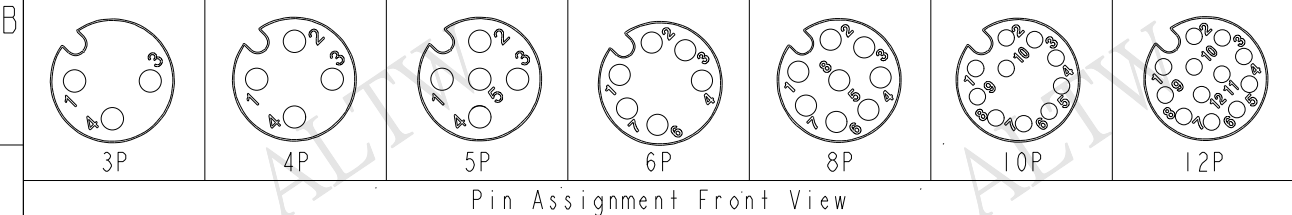
M SAS - XX P F F S - S F 8 XXX

SAS: A-Code Shielded
 03: 3Pin
 04: 4Pin
 05: 5Pin
 06: 6Pin
 08: 8Pin
 10: 10Pin
 12: 12Pin

P: Panel (板端)
 F: Female Connector (母座)

001: PG9
 002: M16*1.5
 8: IP68/69K (防水等級68/69K)
 F: Front Fasten (前鎖式/Enclosure Rear Mount)
 S: Screw (螺紋式)
 S: Solder Type (焊接式)
 F: Female Pin (母Pin)

MSAS-03PFFS-SF8XXX	2.5
MSAS-04PFFS-SF8XXX	2.5
MSAS-05PFFS-SF8XXX	2.5
MSAS-06PFFS-SF8XXX	2.5
MSAS-08PFFS-SF8XXX	2.5
MSAS-10PFFS-SF8XXX	4.5 2.5
MSAS-12PFFS-SF8XXX	4.5 2.5
Item No.	A B
	Pin伸出長度



Note:

- * ⌀ Important Dimension.
- * Waterproof Rate: IP68, IP69K.
- * Housing: Nylon+GF, Black.
- * Female Pin: Copper Alloy, Gold Plated.
- * Shield: Zinc Alloy, Nickel Plated.
- * Screw Nut: Zinc Alloy, Nickel Plated.
- * Panel O-Ring: Viton, Black.
- * Housing O-Ring: Viton, Green.
- * Rated Voltage: 3 & 4Pin 250V dc. or ac.
 5Pin 60V dc. or ac.
 6-12Pin 30V dc. or ac.
- * Rated Current: 3-5Pin 4A
 6-8Pin 2A
 10-12Pin 1.5A
- * Operating Temperature: -40~105°C
- * For Panel Thickness Max 4.5mm.
- * Recommended Nut Torque: 4-6 Kgf.cm.

UNIT: mm		TITLE	M12 A-Code Female Conn. Solder Front Type Shielded		
TOLERANCE	.X ±0.25 .XX ±0.1 .XXX ±0.05 ANGLES ±1°	SCALE	3:2	SIZE	A4
		REV.	A	WC-REV.	A.5
				QC	Inspection item

Amphenol LTW
 安費諾亮泰企業股份有限公司

ITEM NO.	DRAWN BY	DATE
	Feng_Li	2017-05-22
DWG NO.	CHECKED BY	DATE
MSAS-XXPFFS-SF8XXX	Jinhai	2017-05-22
CUSTOMER	APPROVED BY	DATE
ALTW	Jerry	2017-05-22

A B C D E F