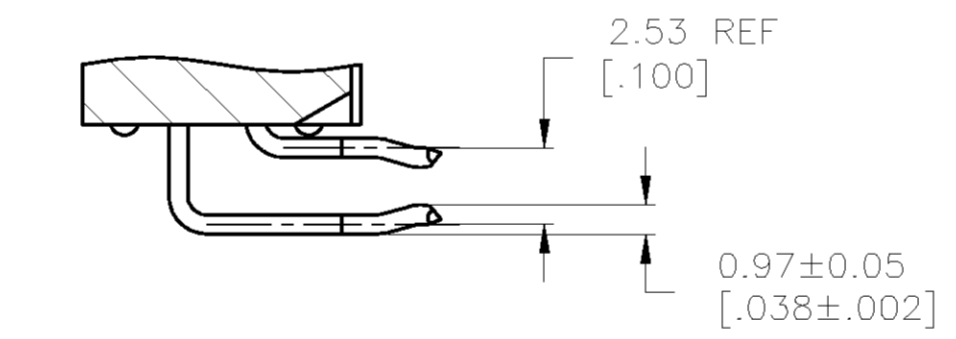
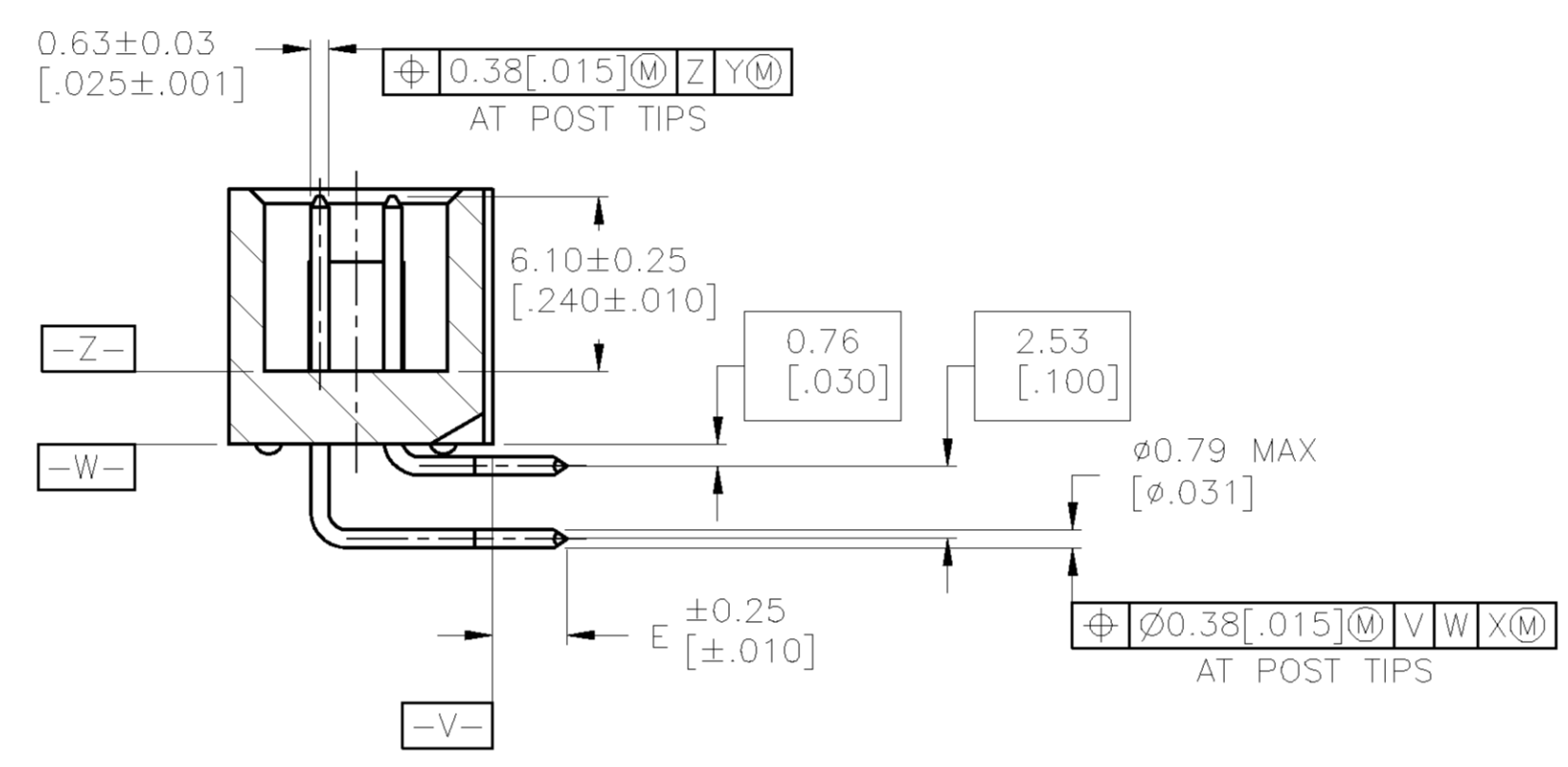
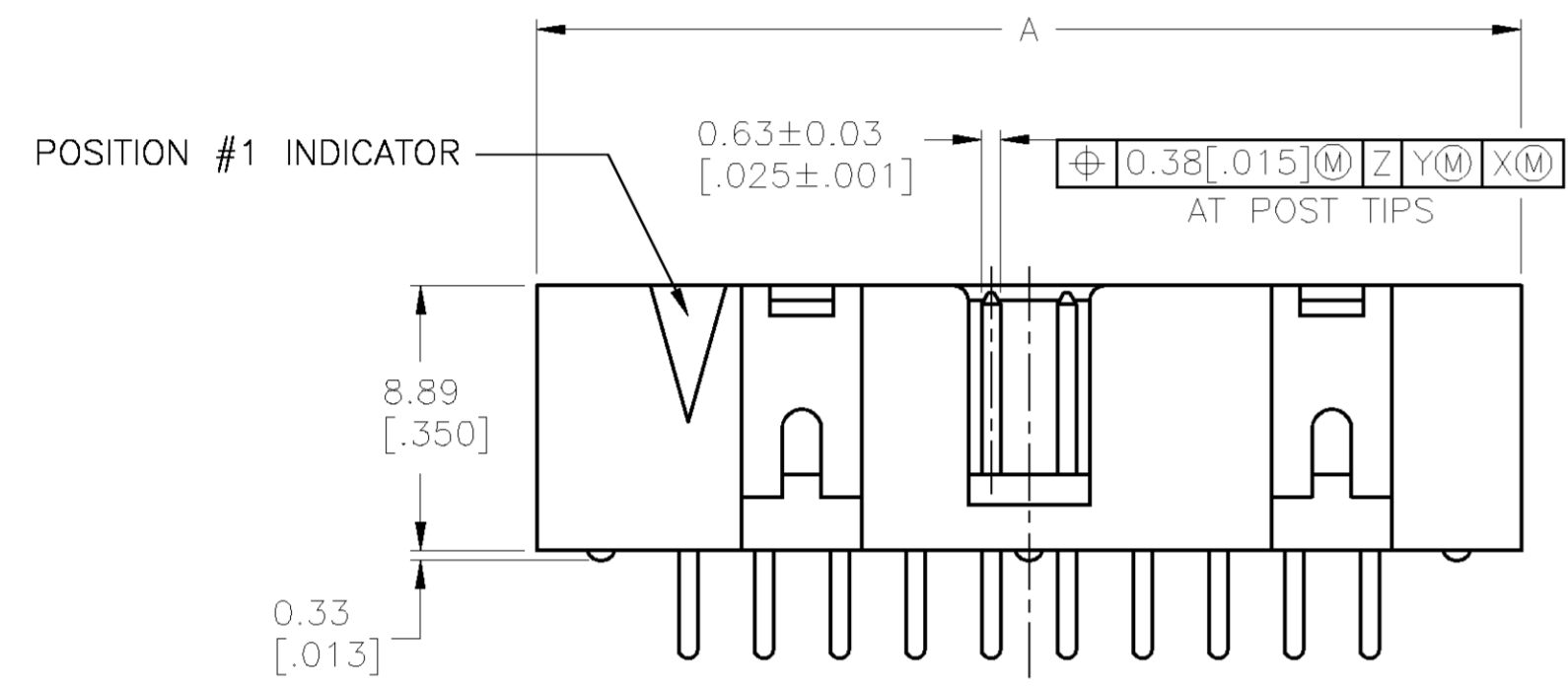
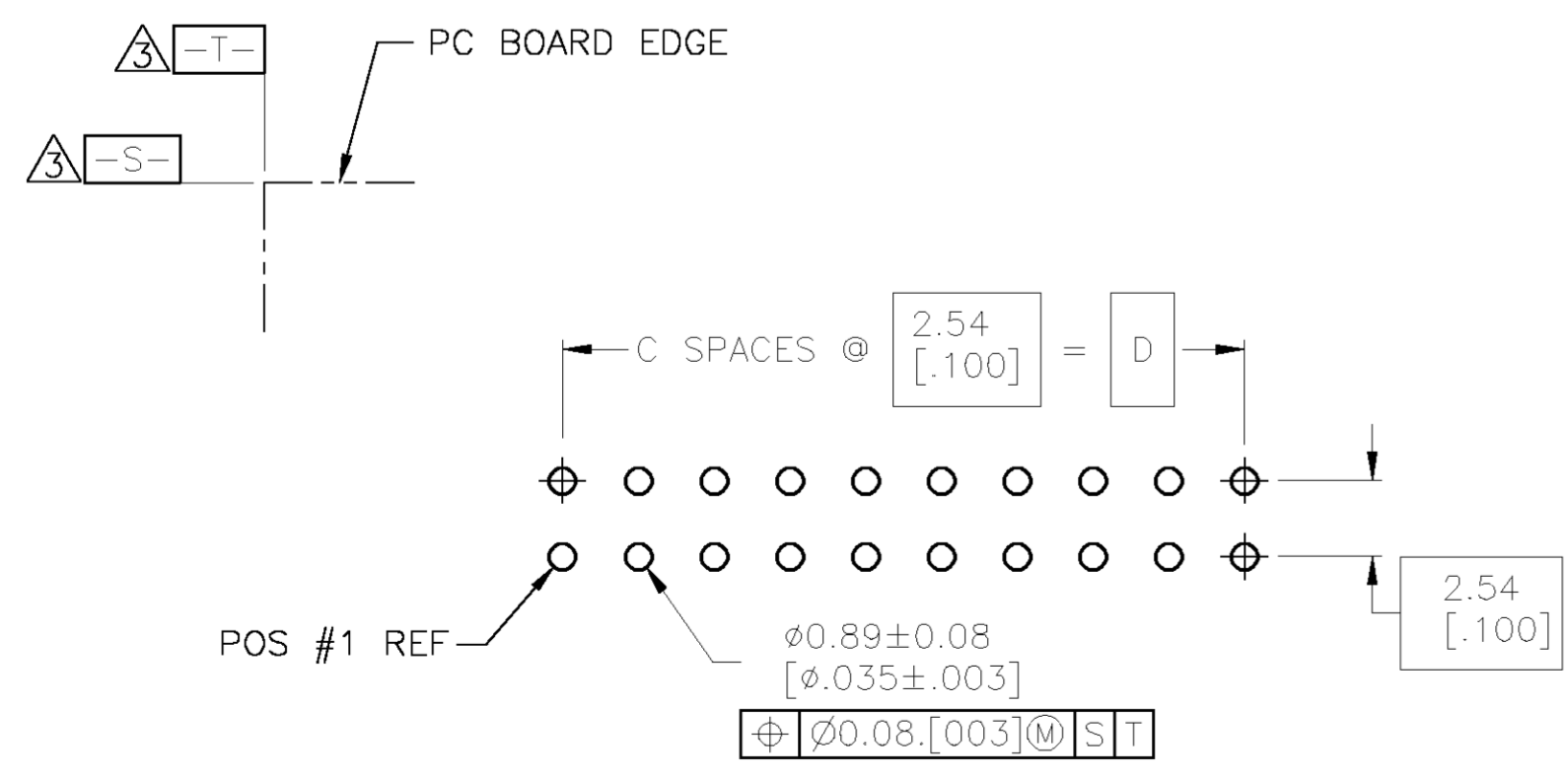


- △ HOUSING: PBT, UL94V-0, COLOR BLUE.  
POSTS: PHOSPHOR BRONZE.
- △ POSTS: 0.00076[.000030] MIN GOLD ON MATING AREA, 0.00254[.000100] MIN TIN-LEAD ON SOLDER END, ALL OVER 0.00127[.000050] MIN NICKEL ON ENTIRE POST.
- △ DATUMS S & T TO BE ESTABLISHED BY CUSTOMER.
- △ NO KEYING SLOT ON THIS END FOR 6, 8, 10, 12 & 14 POSITION ASSEMBLIES.
- △ NO KEYING SLOT ON THIS END FOR 6, 8 & 10 POSITION ASSEMBLIES.



DETAIL M  
(FOR 7-1437045-6 ONLY)



RECOMMENDED PC BOARD LAYOUT  
(VIEWED FROM CONNECTOR SIDE)

E	D	C	B	A	NO OF POS	PART NUMBER
2.59	78.74	31	86.36	88.90	64	4-1437046-3
[.102]	[3.100]		[3.400]	[3.500]		
2.59	73.66	29	81.28	83.82	60	3-1437046-1
[.102]	[2.900]		[3.200]	[3.300]		
4.19	60.96	24	68.58	71.12	50	1-1437046-4
[.165]	[2.400]		[2.700]	[2.800]		
2.59	60.96	24	68.58	71.12	50	1437046-6
[.102]	[2.400]		[2.700]	[2.800]		
2.59	53.34	21	60.96	63.50	44	9-1437045-9
[.102]	[2.100]		[2.400]	[2.500]		
4.19	48.26	19	55.88	58.42	40	8-1437045-1
[.165]	[1.900]		[2.200]	[2.300]		
2.59	48.26	19	55.88	58.42	40	7-1437045-6
[.102]	[1.900]		[2.200]	[2.300]		
2.59	48.26	19	55.88	58.42	40	7-1437045-3
[.102]	[1.900]		[2.200]	[2.300]		
2.59	43.18	17	50.80	53.34	36	6-1437045-5
[.102]	[1.700]		[2.000]	[2.100]		
4.19	40.64	16	48.26	50.80	34	5-1437045-3
[.165]	[1.600]		[1.900]	[2.000]		
2.59	40.64	16	48.26	50.80	34	4-1437045-7
[.102]	[1.600]		[1.900]	[2.000]		
2.59	35.56	14	43.18	45.72	30	2-1437050-3
[.102]	[1.400]		[1.700]	[1.800]		
4.19	30.48	12	38.10	40.64	26	3-1437045-1
[.165]	[1.200]		[1.500]	[1.600]		
2.59	30.48	12	38.10	40.64	26	2-1437045-5
[.102]	[1.200]		[1.500]	[1.600]		
4.19	27.94	11	35.56	38.10	24	1-1437045-8
[.165]	[1.100]		[1.400]	[1.500]		
2.59	27.94	11	35.56	38.10	24	1-1437045-6
[.102]	[1.100]		[1.400]	[1.500]		
4.19	22.86	9	30.48	33.02	20	1437045-1
[.165]	[.900]		[1.200]	[1.300]		
2.59	22.86	9	30.48	33.02	20	9-1437044-5
[.102]	[.900]		[1.200]	[1.300]		
4.19	17.78	7	25.40	27.94	16	7-1437044-9
[.165]	[.700]		[1.000]	[1.100]		
2.59	17.78	7	25.40	27.94	16	7-1437044-3
[.102]	[.700]		[1.000]	[1.100]		
4.19	15.24	6	22.86	25.40	14	5-1437044-8
[.165]	[.600]		[.900]	[1.000]		
2.59	15.24	6	22.86	25.40	14	5-1437044-3
[.102]	[.600]		[.900]	[1.000]		
2.59	12.70	5	20.32	22.86	12	2-1437049-2
[.102]	[.500]		[.800]	[.900]		
4.19	10.16	4	17.78	20.32	10	4-1437044-2
[.165]	[.400]		[.700]	[.800]		
2.59	10.16	4	17.78	20.32	10	3-1437044-7
[.102]	[.400]		[.700]	[.800]		
2.59	7.62	3	15.24	17.78	8	2-1437054-9
[.102]	[.300]		[.600]	[.700]		
4.19	5.08	2	12.70	15.24	6	2-1437044-6
[.165]	[.200]		[.500]	[.600]		
2.59	5.08	2	12.70	15.24	6	2-1437044-4
[.102]	[.200]		[.500]	[.600]		

THIS DRAWING IS A CONTROLLED DOCUMENT.

DIMENSIONS: MM(INCHES)	TOLERANCES UNLESS OTHERWISE SPECIFIED:	0 PLC ± -	1 PLC ± -	2 PLC ± -	3 PLC ± 0.13(.005)	4 PLC ± -	ANGLES ± -
MATERIAL		FINISH		WEIGHT		CUSTOMER DRAWING	

DWG: J GERACE 11JAN05  
 CHK: S BOLASH 11JAN05  
 APPR: M WALMSLEY 11JAN05  
 NAME: M WALMSLEY  
 PRODUCT SPEC: PRODUCT SPEC  
 APPLICATION SPEC: APPLICATION SPEC  
 SIZE: A1  
 CAGE CODE: 00779  
 DRAWING NO: 2-1437044-4  
 RESTRICTED TO: -  
 SCALE: 4:1  
 SHEET: 1 OF 1  
 REV: B

Tyco Electronics Corporation  
 Harrisburg, Pa 17105  
 Tyco Electronics  
 HEADER ASSEMBLY, RIGHT ANGLE, LOW PROFILE, IDC

**COPYRIGHT 2005  
 TYCO ELECTRONICS CORP  
 ALL RIGHTS RESERVED**