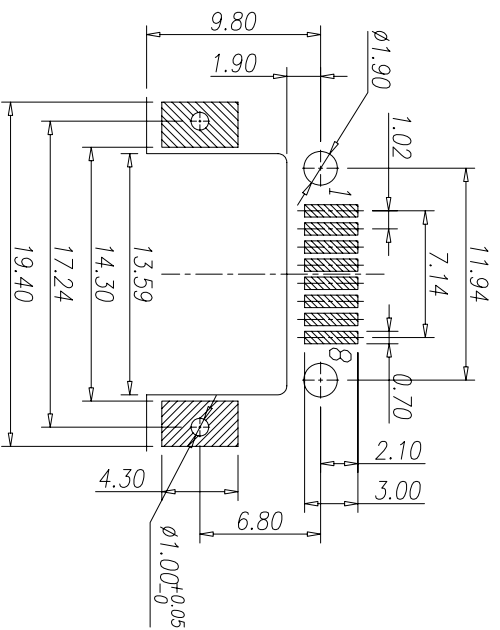
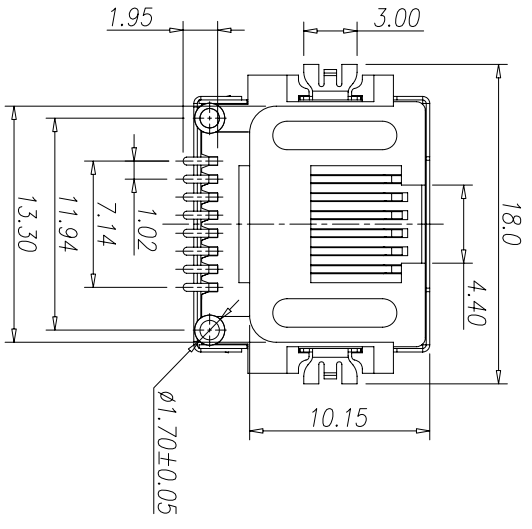
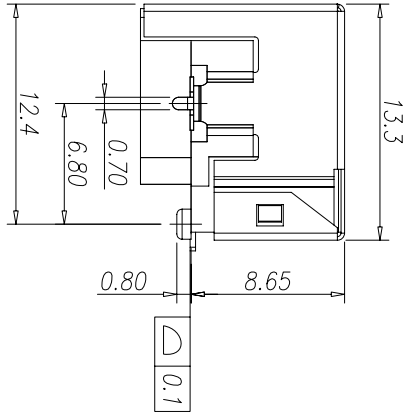
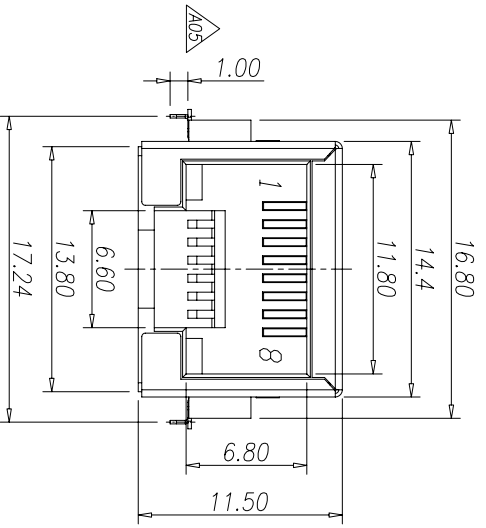


CATEGORY	DESCRIPTION	P/N #
CONNECTOR	Modular Jack, 8P8C, 1X1PORT	MJ88-XX11-JRV51-X

料号由原 MJ88-XX11-JRV51  
变更为 MJ88-XX11-JRV51-X

REV.	ECN NO	DESCRIPTION	REVISED	DATE
A05		依客户需求修改尺寸	XSY	2018.03.03
A06		新增塑胶颜色规格	YST	2019.07.16



Recommend PCB Layout  
(Lack Top View)  
Tolerance: ±0.05mm

- SPECIFICATIONS:
1. Voltage: 150V AC RMS
  2. Current Rating: 1.5A
  3. Contact Resistance: 40mΩ MAX.
  4. Insulation Resistance: 500MΩ MIN.
  5. Dielectric Withstand Voltage :1000V AC
  6. Operature Temperature: -40°C~80°C
  7. Durability: 750 Mating Cycles MIN.

MJ88-XX11-JRV51-X

X	Terminal Plating	X	包装方式
0	Au 1u" Plating	C	卷带包装
1	Au 3u" Plating	P	吸塑盒包装
2	Au 6u" Plating		
3	Au 15u" Plating		
4	Au 30u" Plating		
5	Au 50u" Plating		

Table1

X	Color	housing Material
B	Black	LCP UL94V-0
0	Orange(151C)	PA9T UL94V-0
Y	Yellow(130C)	PA9T UL94V-0
W	White	PA9T UL94V-0
1	Black	PA8T UL94V-0

c	Shielding	1	Brass
b	Terminal	8	Phosphor Bronze
a	Housing	1	See Table1
NO.	PART NAME	Q'TY	MATERIAL

	Plating	Plating & Color	Remark
	See Table2		
	See Table1		

UNLESS OTHERWISE SPECIFIED TOLERANCES

DECIMALS: X :±0.5  
X.X :±0.3  
X.XX :±0.2

ANGLES: X :±2°  
X.X :±1°

SCALE:1/1 UNIT: mm DWG.NO:

SIZE: A3 PAGE:1 OF 1 REV:A06

APPROVED BY: XSY CHECKED BY: YST PREPARED BY: YST

DICK

CUSTOMER COPY

东莞市合陵电子有限公司  
DongGuan Heling Electronic Co.,LTD