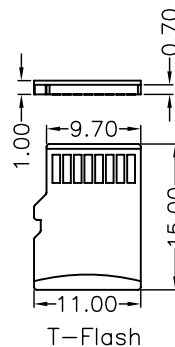


RECOMMENDED P.C.B HOLE LAYOUT  
COMPONENT SIDE VIEW(TOLERANCE: +/-0.05)



NOTES:

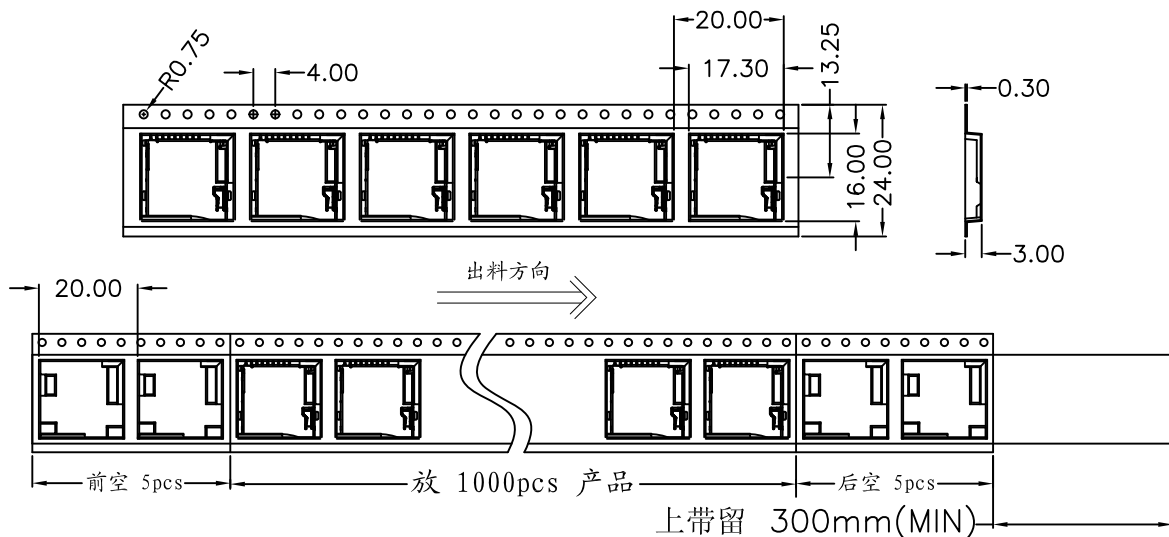
- 1.MATERIAL:  
HOUSING: HIGH TEMPERATURE THERMOPLASTIC UL94V\_0,COLOR:BLACK.  
CONTACT: COPPER ALLOYS.  
COVER: COPPER ALLOYS OR STEEL.
- 2.PLATING:  
UNDERPLATE: NICKEL.  
CONTACT AREA: GOLD OVER NICKEL.  
SOLDER AREA: TIN OVER NICKEL.
- 3.MULTIMEDIA CARD COMPATIBLE

PIN NO.	NAME	TYPE	DESCRIPTION
1	DAT2	I/O/PP	DATE LINE(BIT2)
2	CD/DAT3	I/O/PP	CARD DETECT DATE LIN(BIT3)
3	CMD	PP	COMMAND RESPONSE
4	VDD	S	SUPPLY VOLTAGE
5	CLX	I	CLOCK
6	VSS	S	SUPPLY VOLTAGE GROUND
7	DATO	I/O/PP	DATE LINE(BIT0)
8	DAT1	I/O/PP	DATE LINE(DIT1)

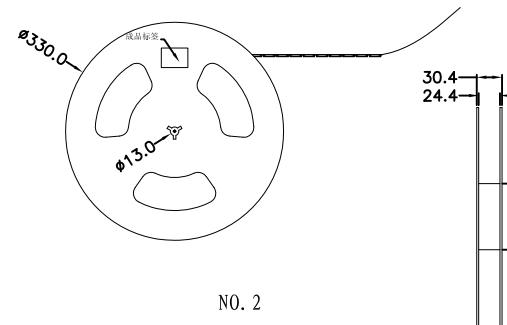


深圳市华宇创精密电子有限公司

TOLERANCE: X.X ±0.30 X.XX ±0.25 X.XXX ±0.15 X' ±2' X.X' ±0.5'	DRAWN BY : 陈一鸣	DATE : 2014-02-23	PART NAME: TF PUSH外焊
	CHECKED BY: 马跃	DATE : 2014-02-23	PART NO. : HYC77-TF09-200
UNIT: mm [inch] SCALE:1:1 SIZE: A4	APPROVED BY: 邱国夷	DATE : 2014-02-23	DRAW NO. : HYC-TF20162319
			SHEET NO. : 1 OF 1



NO. 1



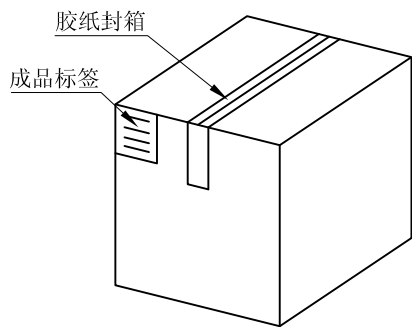
NO. 2

1. 材质要求:

- 1.1 纸箱的材质为K=K; 外形尺寸为34\*34\*38.5;
- 1.2 卷盘的材质为PS, 卷盘的外形尺寸为 $\varnothing 330 \times 30.4$ ;
- 1.3 卷带的材质为PS, 卷带的外形尺寸为20200\*24.00\*3.0mm;

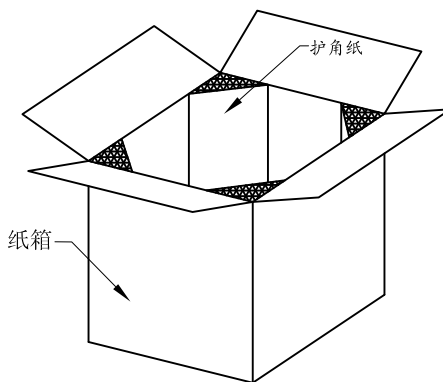
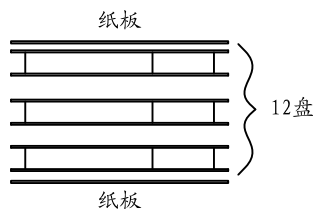
2. 包装方式:

- 2.1 将卷带放入包装机后, 前空5PCS, 后放产品1000PCS, 再后空5PCS; 上带留300MM长度。
- 2.2 将包装好的产品从包装机上取下并包装好, 贴上内盘标签;
- 2.3 把累叠好的12盘叠放入纸箱中共计12Kset, 上下放纸板, 纸箱四个角塞护角纸;
- 2.4 把包装好的成品打包封箱, 并在纸箱外贴上标签



纸箱规格: 340\*340\*385

NO. 4



NO. 3

 <b>深圳市华宇创精密电子有限公司</b>			
<b>TOLERANCE:</b> X.X ±0.30 X.XX ±0.25 X.XXX ±0.15 X.' ±2'    X.X' ±0.5'	<b>DRAWN BY :</b> 陈一鸣	<b>DATE :</b> 2014-02-23	<b>PART NAME:</b> 包装图
	<b>CHECKED BY:</b> 马跃	<b>DATE :</b> 2014-02-23	<b>PART NO.</b> 
<b>UNIT:</b> mm [inch]	<b>APPROVED BY:</b> 邱国夷	<b>DATE :</b> 2014-02-23	<b>DRAW NO:</b> 
<b>SCALE:</b> 1:1 <b>SIZE:</b> A4			<b>SHEET NO.</b> 1 OF 1