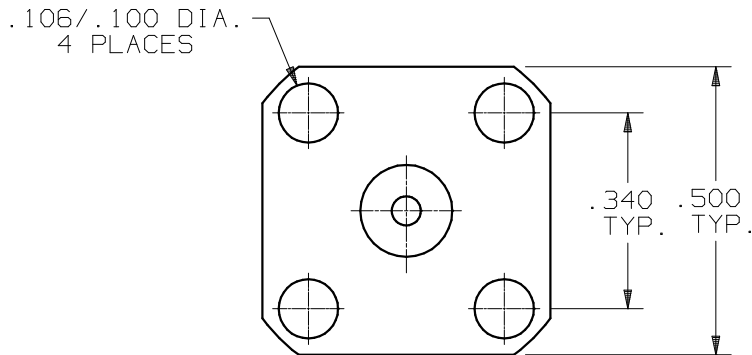
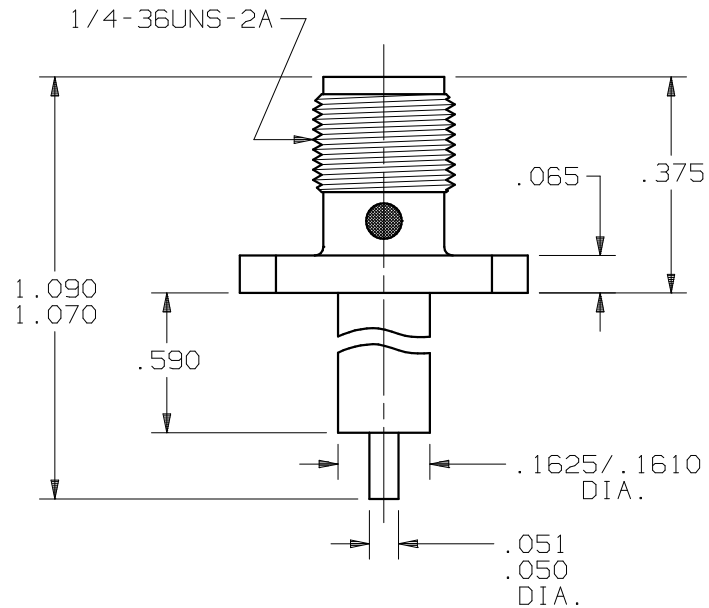


PRODUCT DATA DRAWING

CAD GENERATED DRAWING	DCN CONTROLLED DOCUMENT	DWG. NO. SF2950-6061
-----------------------------	-------------------------------	--------------------------------



MATERIAL:

BODY: STAINLESS STEEL PER AMS-5640, UNS S30300, TYPE I.
CONTACT: BERYLLIUM COPPER PER ASTM-B-196, ALLOY C17300, COND. TD04.
INSULATOR: TEFLON PER ASTM-D-1457.

FINISH:

BODY: PASSIVATED PER QQ-P-35C, TYPE II.
CONTACT: GOLD PER MIL-G-45204, TYPE I, GRADE C, CLASS 0; OVER NICKEL PER QQ-N-290, CLASS 1.

IMPEDANCE: 50 OHMS
FREQ. RANGE: DC-18.0 GHz
D.W.V.: 1000 VRMS
INSUL. RES.: 5000 MEGOHMS MIN.

SYM.	DESCRIPTION	DATE	APPR.	UNLESS OTHERWISE SPECIFIED:	DIMENSIONS ARE IN INCHES			Solitron Vector Microwave 3301 ELECTRONICS WAY WEST PALM BEACH, FL. 33407
A	REV. DCN 21338	3/94	JRG	1) ALL DIMENSIONS ARE AFTER PLATING. 2) BREAK CORNERS & EDGES .005 R. MAX. 3) CHAM. 1s† & LAST THDS. 4) SURFACE ROUGHNESS 63 J MIL-STD-10. 5) DIAS. ON COMMON CENTERS TO BE CONCENTRIC WITHIN .005 T.I.R. 6) REMOVE ALL BURRS.	TOLERANCES:			
B	REV. DCN 23356	4/97	JM		DECIMALS .X ±.030 .XX ±.015 .XXX ±.005	FRACTIONAL ±1/64	ANGULAR X° ±1°0' X°X' ±15'	
				REDRAWN: BRT 4/03/97	MATERIAL: SEE ABOVE			DWG. NO. SF2950-6061
				CHECKED:	FINISH: SEE ABOVE AREA: N/A			
				APPROVED: DGG 9/13/76	SIZE A	CAGE NO. 95077	SCALE 3X	