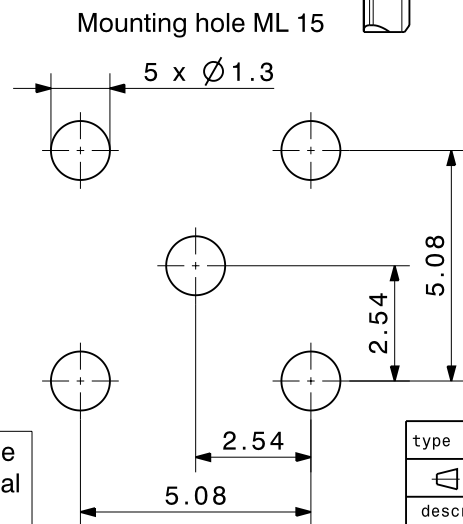
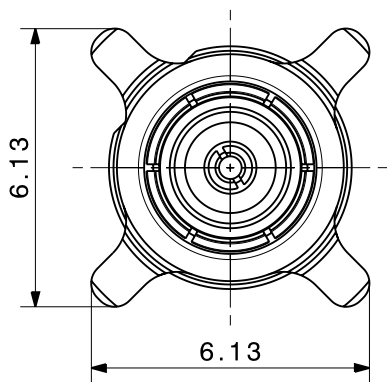
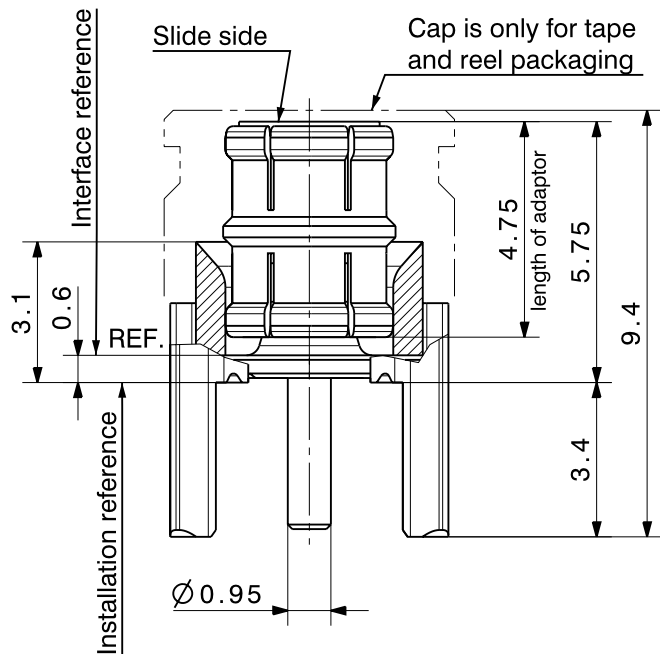


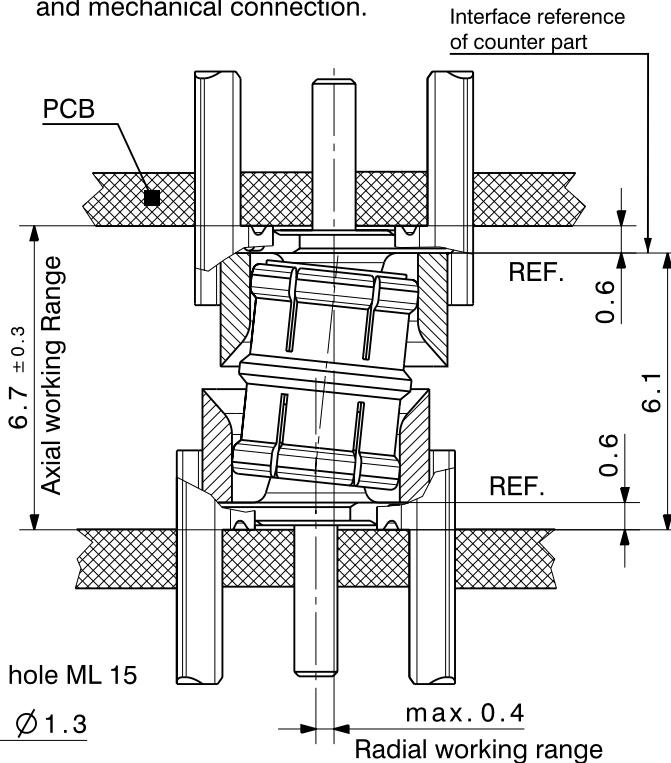
Diese Zeichnung ist unser geistiges Eigentum und darf ohne unsere Ermächtigung weder kopiert, vervielfältigt noch Dritten oder Konkurrenzfirmen zugänglich gemacht werden. (Art. 12 B.G.)  
 This drawing is copyright. Information contained therein is supplied in confidence and must not be used for any other purpose than which it was supplied, or be reproduced without written permission of the owners.

## 81\_MMBX-50-0-2



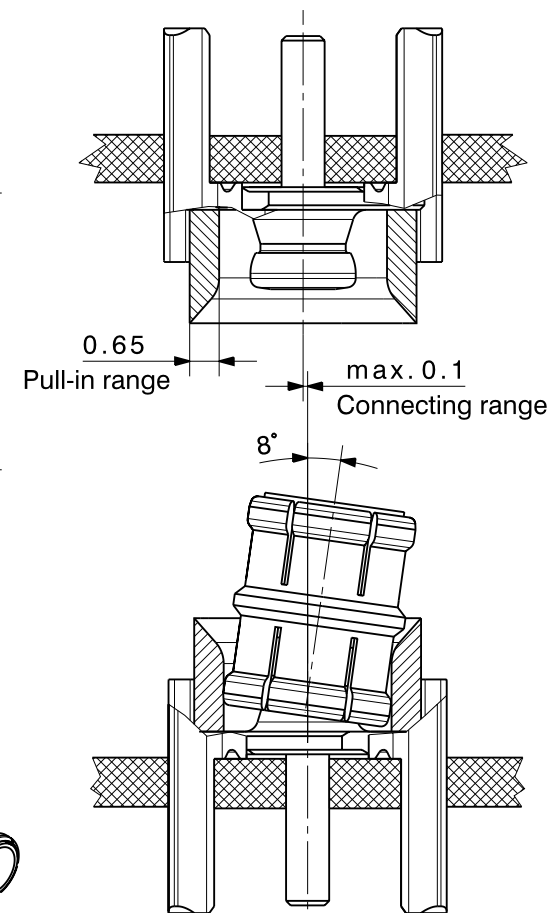
## Radial and axial working range

The radial and axial working range is the maximum misalignment that allows a sufficient electrical and mechanical connection.



## Connecting range

The connecting range is the maximum misalignment which allows a trouble-free connection with the counter PCB (blind mate). (including maximum swiveling angle of adaptor)



MMBX application instructions are available at [www.hubersuhner.com](http://www.hubersuhner.com) or from your local HUBER+SUHNER sales representative



**CAUTION:**  
 The 81\_MMBX-50-0-2 only works in combination with a counter part which has a pull-in range of max. 0.65mm.

type / Typ: 81_MMBX-50-0-2	part no. / Teile Nr.: PRO-00012625	B sheet/Blatt XX / XX
⊕ dimensions in millimeter [mm]	description / Beschreibung	drawing-no. / Zeichnungsnr.
	PCB plug	DOU-00012625
		Release
		D

alternative ID: 4.13.31867