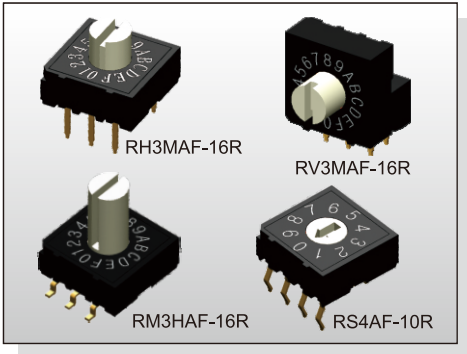


ROTARY CODED SWITCH R(H)(V)(M)(S) SERIES

10x10mm
Rotary Type



FEATURES

- ※Vertical and right angel type
- ※Flush & raised actuator
- ※BCD; Hexadecimal

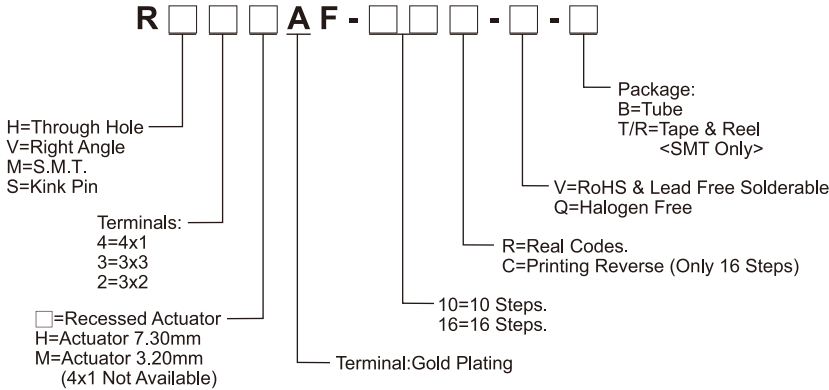
APPLICATION

- ※Building & home automation
- ※White goods
- ※Electronic instrument

SPECIFICATION

Contact Rating	25mA, 24V DC
Contact Resistance	100mΩ max.
Insulation Resistance	100MΩ min. 250V DC
Dielectric Strength	250V AC/1 minute
Operating Force	400gf·cm max.
Operating Life	20,000 Steps
Operating Temp.	-25°C ~ +80°C
Storage Temp.	-40°C ~ +85°C

HOW TO ORDER

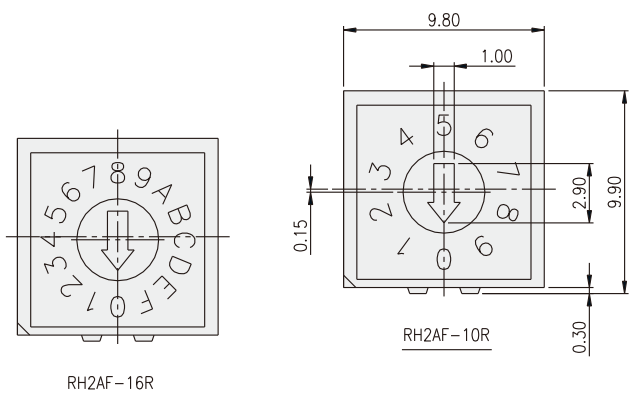


PACKAGE

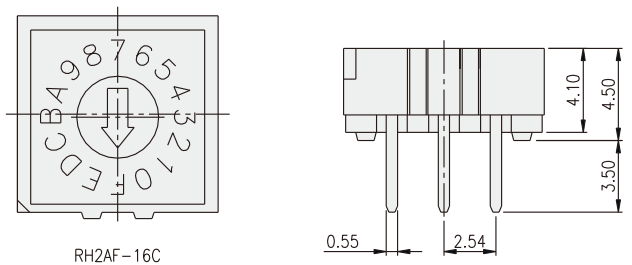
- <Tube>
48 pcs
- <Tape & Reel>
750 pcs (recessed actuator)
500 pcs (3.2mm actuator)
250 pcs (7.3mm actuator)

ROTARY CODED SWITCH

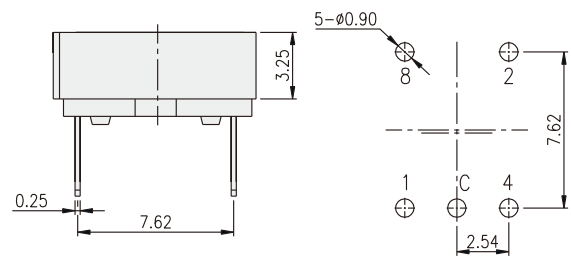
RH2



RH2AF-16R



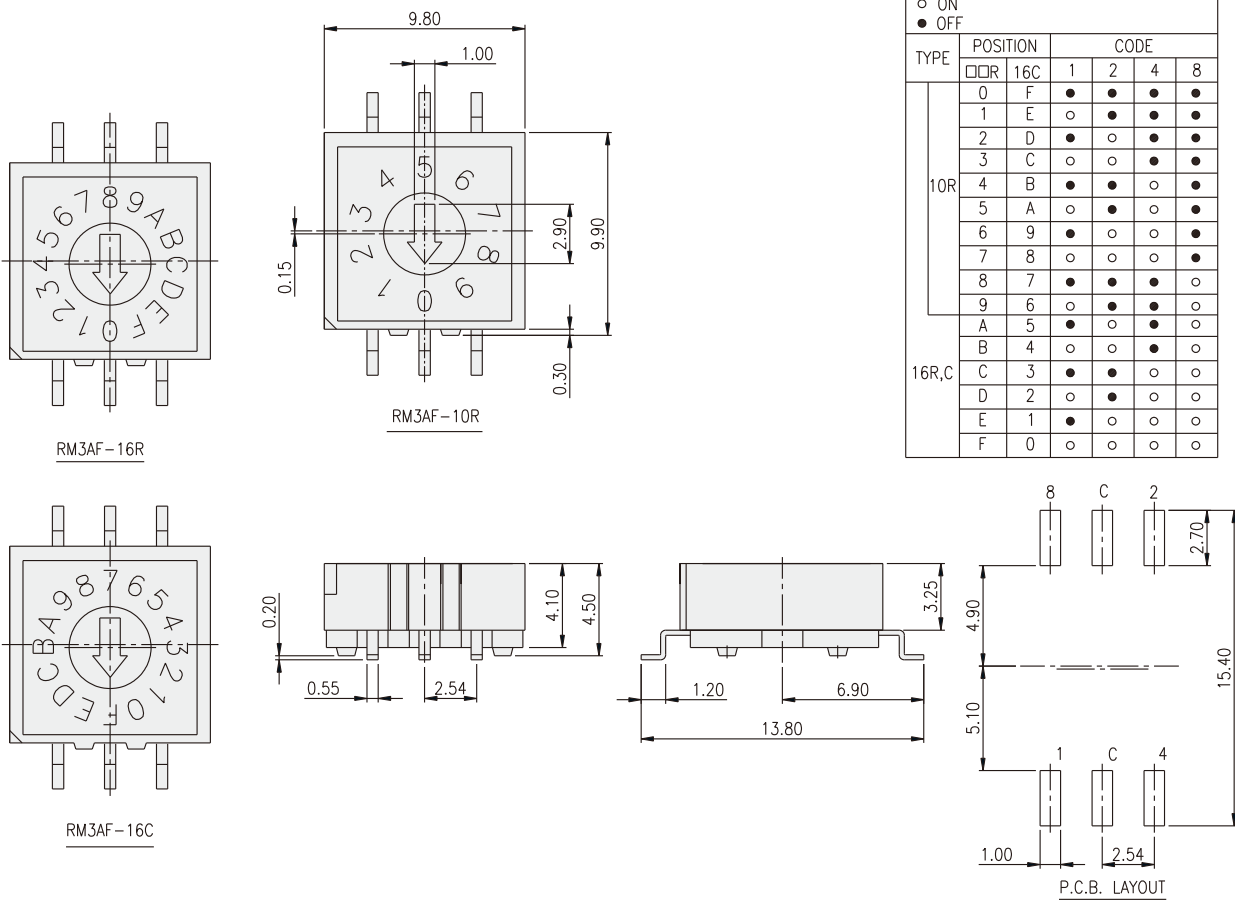
RH2AF-16C



P.C.B. LAYOUT

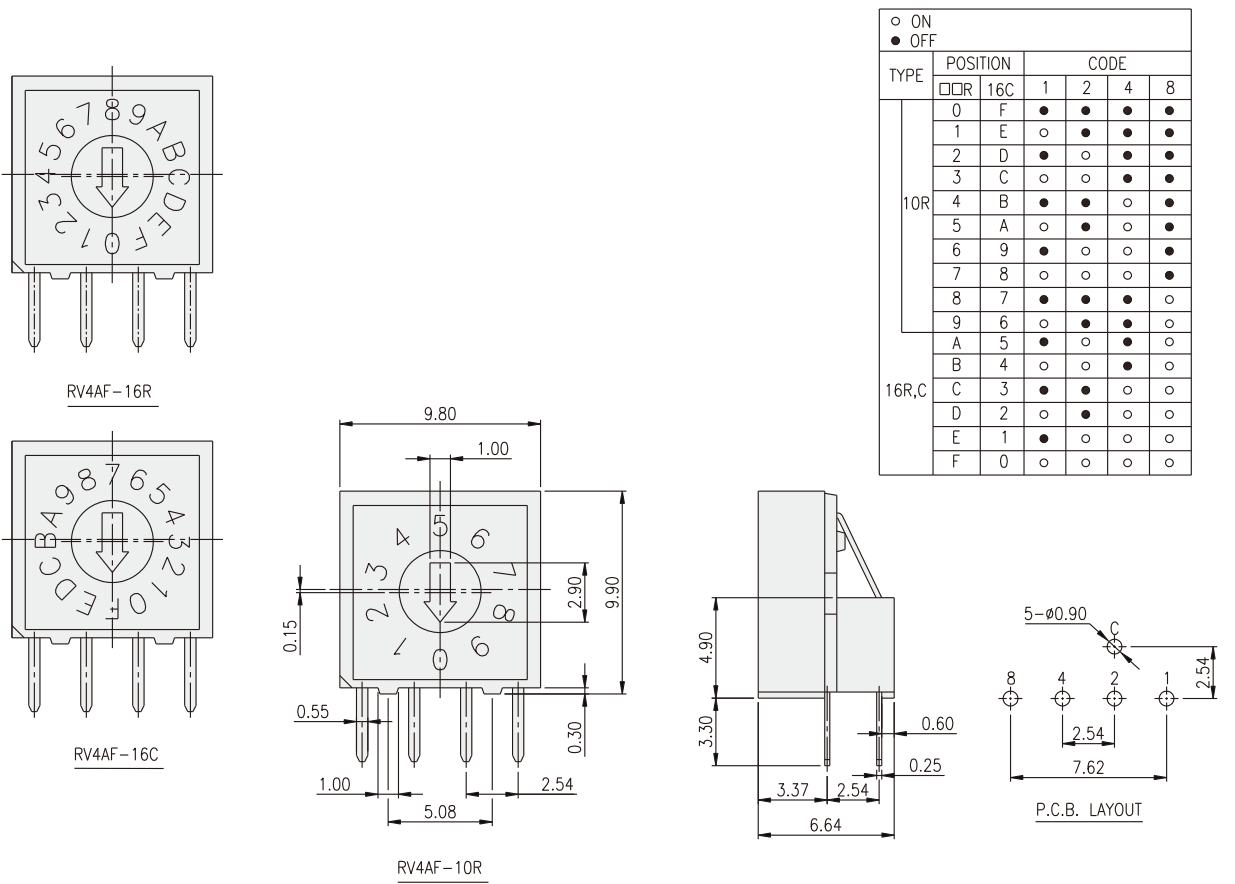
TYPE	POSITION	CODE				
		16C	1	2	4	8
10R	0	F	●	●	●	●
	1	E	○	●	●	●
	2	D	●	○	●	●
	3	C	○	○	●	●
	4	B	○	●	○	●
	5	A	○	●	○	●
	6	9	●	○	○	●
	7	8	○	○	○	●
	8	7	●	●	●	○
	9	6	○	●	●	○
16R,C	A	5	○	○	●	○
	B	4	○	○	○	○
	C	3	●	●	○	○
	D	2	○	●	○	○
	E	1	●	○	○	○
	F	0	○	○	○	○

RM3



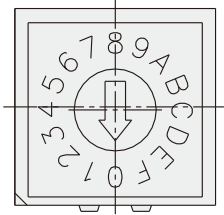
ROTARY CODED SWITCH

RV4

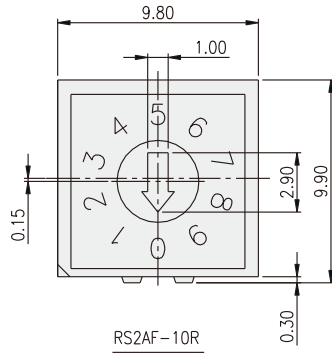


RS2

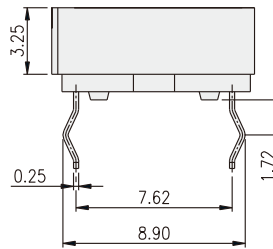
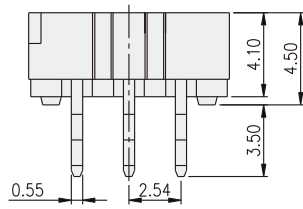
ROTARY CODED SWITCH



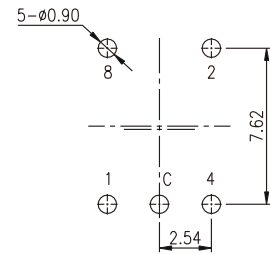
RS2AF-16R



RS2AF-10R



TYPE	POSITION	CODE			
		1	2	4	8
10R	0	●	●	●	●
	1	○	●	●	●
	2	●	○	●	●
	3	○	○	●	●
	4	●	●	○	●
	5	○	●	○	●
	6	●	○	○	●
	7	○	○	○	●
	8	●	●	●	○
	9	○	○	●	○
16R	A	●	○	●	○
	B	○	○	●	○
	C	●	●	○	○
	D	○	○	○	○
	E	●	○	○	○
	F	○	○	○	○



P.C.B. LAYOUT

Mouser Electronics

Authorized Distributor

Click to View Pricing, Inventory, Delivery & Lifecycle Information:

Diptronics:

[RV4AF-10R-V-B](#) [RH4HAF-10R-V-B](#) [RH3MAF-16R-V-B](#) [RM4AF-10R-V-B](#) [RH4AF-10R-V-B](#) [RV2AF-10R-V-B](#)
[RH3MAF-10R-V-B](#) [RV2AF-16R-V-B](#) [RH2MAF-16R-V-B](#) [RV4AF-16R-V-B](#) [RH2HAF-10R-V-B](#) [RH2HAF-16R-V-B](#)
[RH3AF-16R-V-B](#) [RH2AF-16R-V-B](#) [RM3AF-16R-V-T/R](#) [RH4AF-16R-V-B](#) [RM2AF-10R-V-B](#) [RV4HAF-16R-V-B](#)
[RH4HAF-16R-V-B](#) [RM3AF-10R-V-B](#) [RH2MAF-10R-V-B](#) [RM3AF-16R-V-B](#) [RH3HAF-16R-V-B](#) [RV2HAF-16R-V-B](#)
[RV3AF-16R-V-B](#) [RH2AF-10R-V-B](#) [RM3HAF-10R-V-B](#) [RH3HAF-10R-V-B](#) [RM4AF-16R-V-T/R](#) [RV3AF-10R-V-B](#)
[RM3AF-10R-V-T/R](#) [RM4AF-10R-V-T/R](#) [RM4AF-16R-V-B](#) [RM2AF-16R-V-B](#) [RM3HAF-16R-V-B](#) [RV4HAF-10R-V-B](#)
[RV3HAF-16R-V-B](#) [RV2HAF-10R-V-B](#) [RV3HAF-10R-V-B](#) [RH3AF-10R-V-B](#)