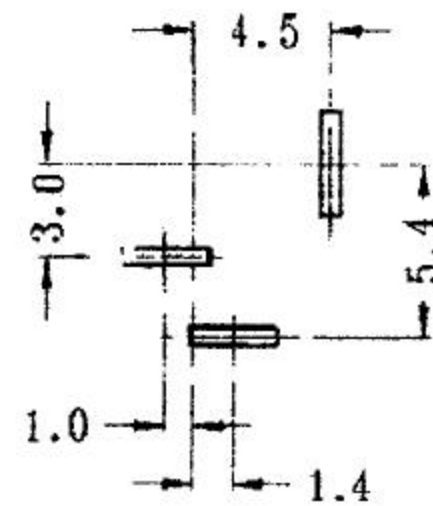


**SCHEMATEC**

MODEL	DIA	FINISH
DS-225A	$\phi$ 2.5	Ni PALTED
DS-225B	$\phi$ 2.0	Ni PLATED



**P.C.B LAYOUT**