

# Open Type Trimmer

## Model 37



### Features:

- 9 mm single turn
- Open frame
- Cermet
- RoHS compliant

## Model Styles Available

Top Adjust (with extension)	37F
Top Adjust	37P
Side Adjust	37W
Side Adjust (with extension)	37S

## Electrical

Resistance Range	100 to 1,000,000 Ohms
Standard Resistance Tolerance	± 20%
Input Voltage, Maximum	250 V
Power rating, Watts	0.5 @ 70°C
End Resistance, Maximum	<500 ohms: 10 Ohms Max; > 500 ohms: 2% Max.
Actual Electrical Travel	280° ±15°
Insulation Resistance, Minimum	100 Megohms
Resolution	Essentially infinite
Contact Resistance Variation	5% Max.
Temperature Coefficient of Resistance	±250 ppm/°C

## Mechanical

Torque, Maximum	4.5 in. oz.
Weight, Approx.	0.01 oz.
Wiper Position	Approx. 50%

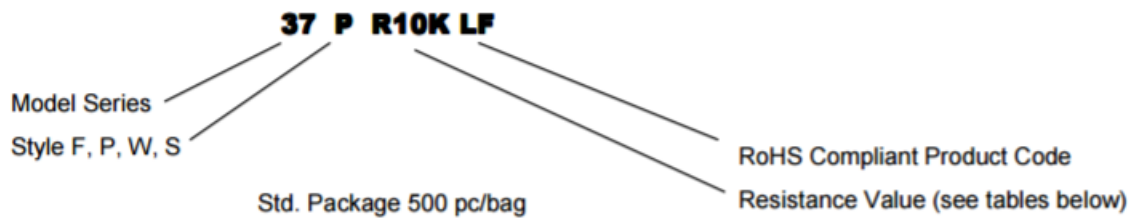
### General Note

TT Electronics reserves the right to make changes in product specification without notice or liability. All information is subject to TT Electronics' own data and is considered accurate at time of going to print.

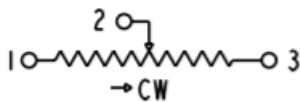
### Environmental

Operating Temperature Range	-30°C to +100°C
Rotational Life, 50 Cycles	±10% ΔR
Load Life, 0.5W, 500 Hours, 70°C	±5% ΔR
Resistance to Solder Heat	260°C for 3 sec.
Aqueous cleaning not recommended	

### Ordering Information



### Circuit Diagram

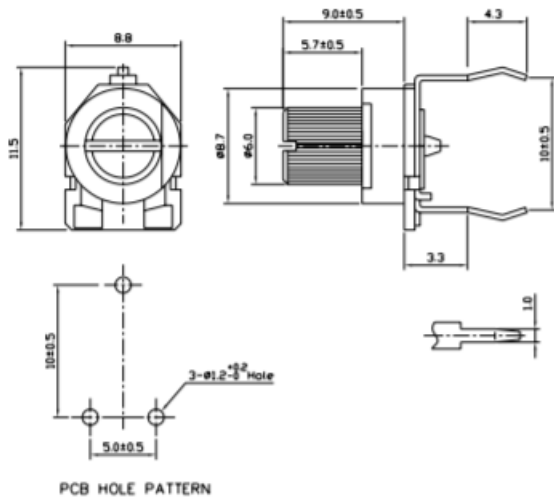


### Standard Resistance Values, Ohms

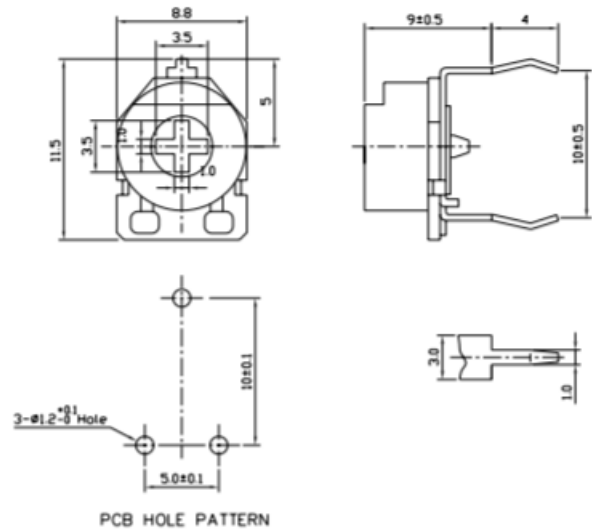
Resistance (ohms)	Part Marking
100	101
200	201
500	501
1K	102
2K	202
5K	502
10K	103
20K	203
50K	503
100K	104
200K	204
500K	504
1MEG	105

### Outline Drawings

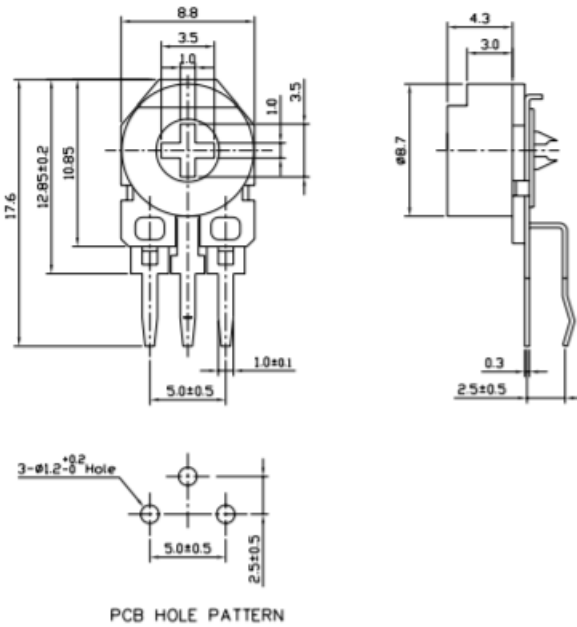
**Model 37F (Top Adjust with extension)**



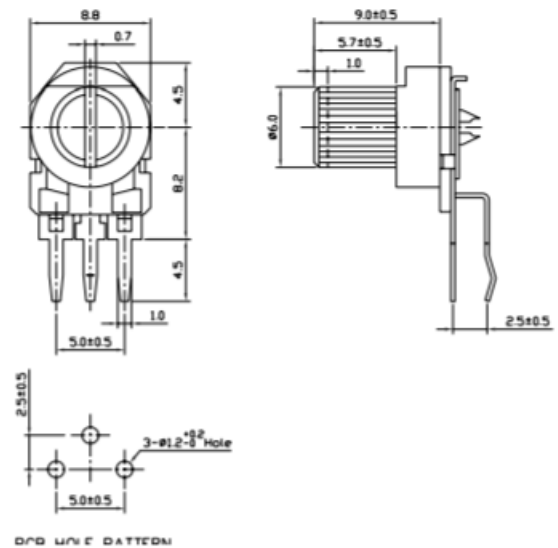
**Model 37P (Top Adjust)**



**Model 37W (Side Adjust)**



**Model 37S (Side Adjust with extension)**



General Note  
 TT Electronics reserves the right to make changes in product specification without notice or liability. All information is subject to TT Electronics' own data and is considered accurate at time of going to print.

© TT electronics plc

TT Electronics | BI Technologies  
 413 Rood RD, Suite 7  
 Calexico, CA 92231  
 Ph: + 1 (714) 447-2345  
 www.ttelectronics.com/bi-technologies

Issue B 04/2019 Page 3

# Mouser Electronics

Authorized Distributor

Click to View Pricing, Inventory, Delivery & Lifecycle Information:

## TT Electronics:

[37PR1KLF](#) [37PR10KLF](#) [37WR1KLF](#) [37WR10KLF](#) [37WR2KLF](#) [37FR1MEGLF](#) [37SR1MEGLF](#) [37WR1MEGLF](#)  
[37PR1MEGLF](#) [37FR2KLF](#) [37PR20KLF](#) [37SR20KLF](#) [37WR20KLF](#) [37WR500LF](#) [37PR2KLF](#) [37FR100LF](#)  
[37SR500LF](#) [37PR500LF](#) [37PR200KLF](#) [37PR500KLF](#) [37SR200LF](#) [37WR200LF](#) [37FR10KLF](#) [37WR500KLF](#)  
[37SR500KLF](#) [37PR200LF](#) [37FR5KLF](#) [37FR500KLF](#) [37FR200KLF](#) [37PR5KLF](#) [37SR200KLF](#) [37WR200KLF](#)  
[37SR2KLF](#) [37SR100LF](#) [37PR100LF](#) [37FR50KLF](#) [37SR1KLF](#) [37WR100LF](#) [37FR200LF](#) [37FR20KLF](#) [37WR5KLF](#)  
[37FR1KLF](#) [37PR100KLF](#) [37SR10KLF](#) [37SR100KLF](#) [37PR50KLF](#) [37SR50KLF](#) [37WR50KLF](#) [37WR100KLF](#)  
[37FR100KLF](#) [37FR500LF](#) [37SR5KLF](#)