

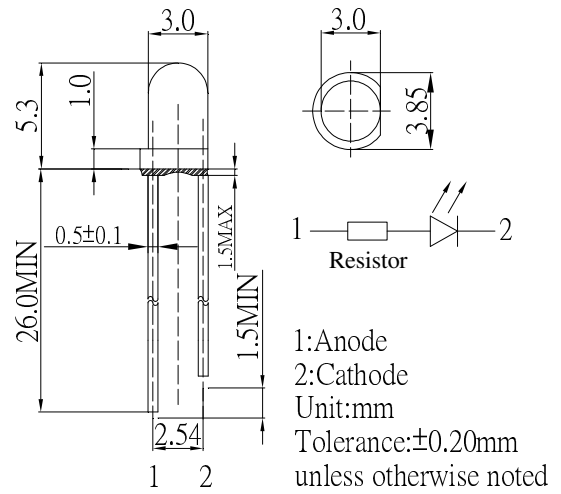
■ Features

- High Luminous LEDs
- 3mm Round Standard Directivity
- UV Resistant Epoxy
- Integral Current Limiting Resistor
- TTL Compatible (Requires No External Current Limiter With 5 Volt Supply)
- Cost Effective (Saves Space and Resistor Cost)
- Color Diffused Type / White Diffused Type

■ Applications

- Status Indicators
- Other Lighting

■ Outline Dimension

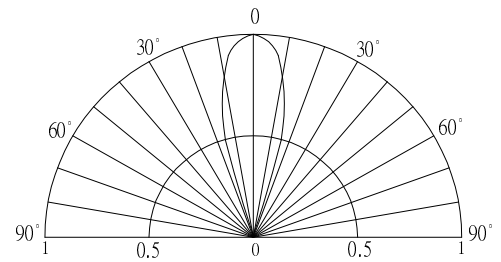


■ Absolute Maximum Rating

(Ta=25°C)

Item	Symbol	Value	Unit
DC Forward Voltage	V _F	7.5	V
Reverse Voltage	V _R	5	V
Power Dissipation	P _D	150	mW
Operating Temperature	Topr	-30 ~ +85	°C
Storage Temperature	Tstg	-40 ~ +100	°C
Lead Soldering Temperature	Tsol	260°C/5sec	-

■ Directivity



■ Electrical -Optical Characteristics (Ta=25°C)

Part Number	Color		I _F (mA)			I _v (mcd)*			λD(nm)*			2θ1/2(deg)
			Min	Typ.	Max.	Min.	Typ.	Max.	Min.	Typ.	Max.	Typ.
			V _F =5V			V _F =5V						
OSW5DK3132A-5V	White	W	-	12	20	1120	1560	-	X=0.27, Y=0.28			30
OSM5DK3132A-5V	Warm White	M	-	12	20	750	1120	-	X=0.45, Y=0.41			30
OSB5SA3134A-5V	Blue	B	-	12	20	500	750	-	465	470	475	30
OSG5DA3134A-5V	Pure Green	TG	-	12	20	1120	1560	-	520	525	530	30
OSG8HA3134A-5V	Yellow Green	G	-	12	20	100	150	-	565	570	575	30
OSY5JA3134A-5V	Yellow	Y	-	12	20	220	330	-	585	590	595	30
OSO5JA3134A-5V	Orange	O	-	12	20	330	500	-	600	605	610	30
OSR5JA3134A-5V	Red	R	-	12	20	220	330	-	620	625	630	30

*1 Tolerance of measurements of Domi. wavelength is ±1nm
 *2 Tolerance of measurements of chromaticity coordinates is ±10%
 *3 Tolerance of measurements of luminous intensity is ±15%
 *4 Tolerance of measurements of forward voltage is ±0.1V