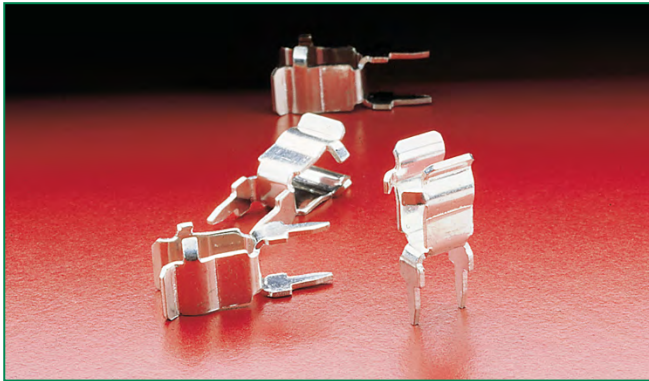


## 100/445/030/520 Series Circuit Board Mount Fuse Clips for 5mm Diameter Fuses RoHS



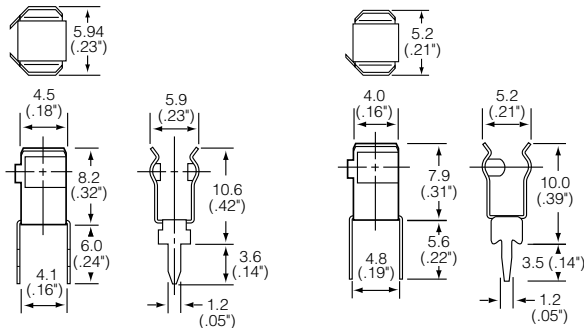
### Product Characteristics

	100 054/056 series	100 020 series	445/030/520 series
<b>Compatible Fuse Size</b>	<b>5mm Diameter Fuses</b> 213, 215, 216, 217, 218, 219XA, 232, 233, 234, 235, 239, 477 and 977 Series		
<b>Current Level</b>	10 Amp max	20 Amp max	10 Amp max

### Agency Approval

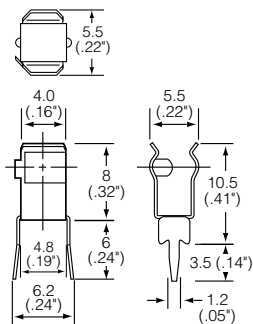
Agency	Agency File Number			
	100 054/056 series	445/030 series	100 020 series	520 series
	N/A		N/A	E14721
	N/A		E14721	

### Product Dimensions

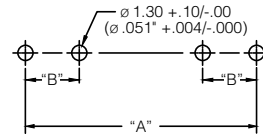


0100 0020 / 0100 0054 / 0100 0056

0445 0001 / 0030 0210



0520 0001



**Recommended Mounting Dimensions**

Fuse Size	A Dim.
5mm×20mm	20.5 (.807")
5mm×25mm	25.5 (1.004")
5mm×30mm	31.0 (1.220")

Clip Series	B Dim.
100 series	4.60±.05(.181"±.002)
445/030 series	5.20±.05(.205"±.002)
520 series	5.80±.05(.228"±.002)

## Ordering Information

Ordering PN	Catalog No.	Clip Material	Plating	Style	Packaging
01000054Z	100 054	Spring Brass	Silver-plated	Ear	2,000 pcs (bulk)
01000056Z	100 056	Spring Brass	Tin-plated	Ear	2,000 pcs (bulk)
01000020Z	100 020	Phosphor Bronze	Tin-plated	Ear	1,000 pcs (bulk)
04450001H	445 001	Spring Brass	Tin-plated	Ear	100 pcs (bulk)
04450001N	445 001	Spring Brass	Tin-plated	Ear	5,000 pcs (bulk)
00300210M	030 210	Spring Brass	Tin-plated	Ear	1,000 pcs (bulk)
00300210N	030 210	Spring Brass	Tin-plated	Ear	5,000 pcs (bulk)
05200001N	520 001	Spring Brass	Silver-plated	Ear	1,000 pcs (bulk)

## Additional Information



**Datasheet  
100 Series**



**Datasheet  
445 Series**



**Datasheet  
030 Series**



**Datasheet  
520 Series**



**Resources  
100 Series**



**Resources  
445 Series**



**Resources  
030 Series**



**Resources  
520 Series**



**Samples  
100 Series**



**Samples  
445 Series**



**Samples  
030 Series**



**Samples  
520 Series**