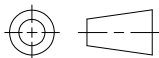


DRAWN E.SIMPSON	APPROVAL B. TOEPFER	DATE 05-26-05	SCALE 1:1
--------------------	------------------------	------------------	--------------

CUSTOMER
TE_CONNECTIVITY_STANDARD

TOLERANCE UNLESS SPECIFIED OTHERWISE	0.X 0.XX 0.XXX ANGLES	= = = =	+/- +/- +/- +/-
---	--------------------------------	------------------	--------------------------


 DO NOT SCALE THIS DRAWING

CHANGES			
REV.	DATE	CO	APP.
B1	29MAR11	REVISED ECO-11-005139	RK/HMR

ELECTRICAL CHARACTERISTICS: (ALL DATA APPLIES @ 23°C UNLESS OTHERWISE SPECIFIED)

COIL DATA:

NOMINAL VOLTAGE: 12 VDC
 OPERATE VOLTAGE: 7.8 VDC MAXIMUM
 RELEASE VOLTAGE: 1.2 VDC MINIMUM
 COIL RESISTANCE: 90 OHMS +/- 10%
 OPERATE TIME: 8 mSEC. MAXIMUM EXCLUDING BOUNCE
 RELEASE TIME: 5 mSEC. MAXIMUM EXCLUDING BOUNCE
 TEMPERATURE RANGE: OPERATING -40°C TO +85°C

CONTACT DATA: (CONTACT DATA IS FORMATTED N.O./N.C.)

CONTACT ARRANGEMENT: 1 FORM C (SPDT)
 CONTACT MATERIAL: AgSn0 (SILVER TIN-OXIDE)
 CONTACT MILLIVOLT DROP: 200mv @ 35A ON N.O. CONTACTS (AFTER SWITCHING)
 250mv @ 20A ON N.C. CONTACTS (AFTER SWITCHING)
 MAXIMUM MAKE CURRENT: 90A/30A (LAMP) @ 16 VDC
 MAXIMUM BREAK CURRENT: 40A/30A @ 16 VDC RESISTIVE
 MAXIMUM CONTINUOUS CURRENT: 40A/30A @ 23°C , 35A/20A @ 85°C
 INITIAL BREAKDOWN CURRENT 500V RMS CONTACTS TO COIL

EXPECTED LIFE: 100,000 OPERATIONS, 40 A, 14 VDC RESISTIVE ON NORMALLY OPEN CONTACT

MECHANICAL CHARACTERISTICS:

EXPECTED LIFE: 10 MILLION OPERATIONS, NO CONTACT LOAD
 TERMINALS BRASS, UNPLATED

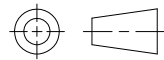
DRAWN E.SIMPSON	APPROVAL B. TOEPFER	DATE 05-26-05	SCALE 1:1
--------------------	------------------------	------------------	--------------

CUSTOMER
TE_CONNECTIVITY_STANDARD

TOLERANCE UNLESS SPECIFIED OTHERWISE	0.X = +/-	0.XX = +/-	0.XXX = +/-	ANGLES = +/-
--------------------------------------	-----------	------------	-------------	--------------

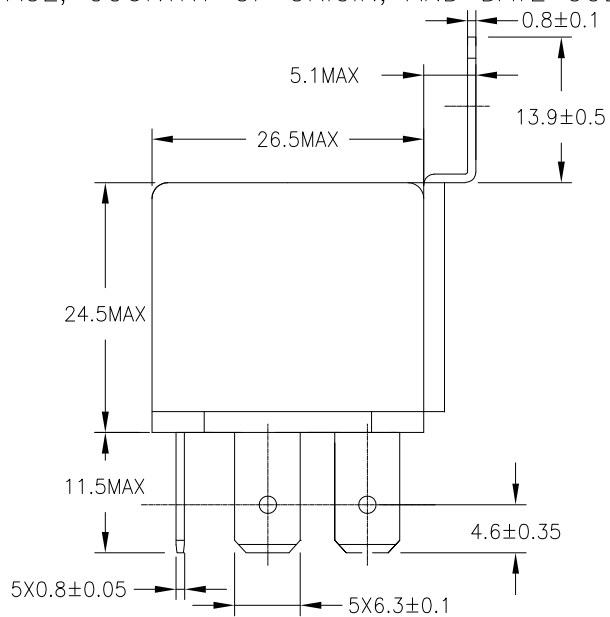
DO NOT SCALE THIS DRAWING

REV B1
MILLIMETERS

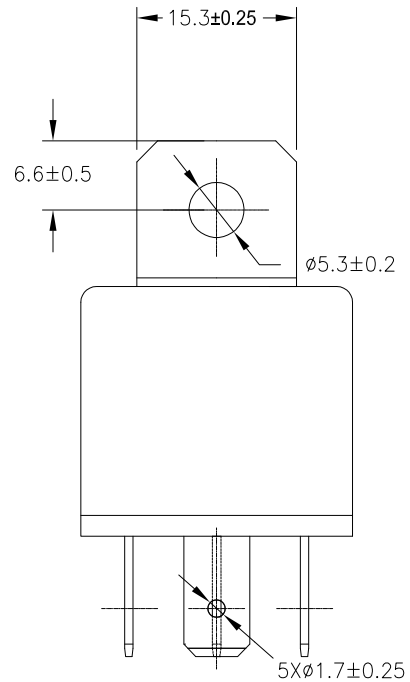
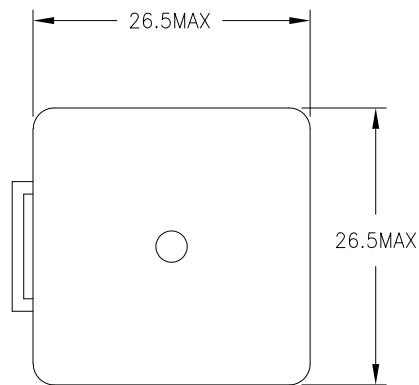
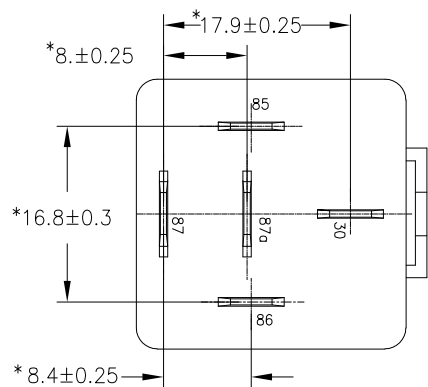


MARKING TO INCLUDE:

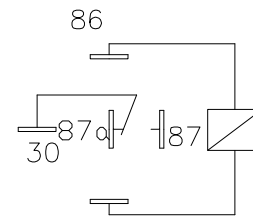
TYCO ELECTRONICS NAME, TE CONNECTIVITY PART NUMBER, SCHEMATIC, COIL VOLTAGE, COUNTRY OF ORIGIN, AND DATE CODE



K ASPECT



* TERMINAL LOCATIONS APPLY AT THE BASE OF THE TERMINALS



85 SCHEMATIC DRAWING (BOTTOM VIEW)