

PRODUCT NUMBER

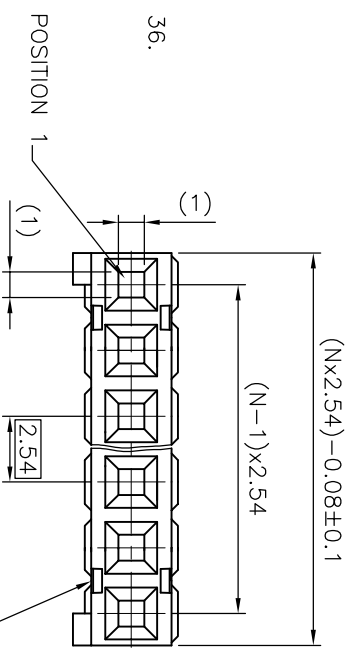
65240-0XXXXLF

WHEN NEEDED, SUFFIX LETTER "LF" INDICATES THE PRODUCT IS ROHS COMPLIANT, SEE NOTE 6

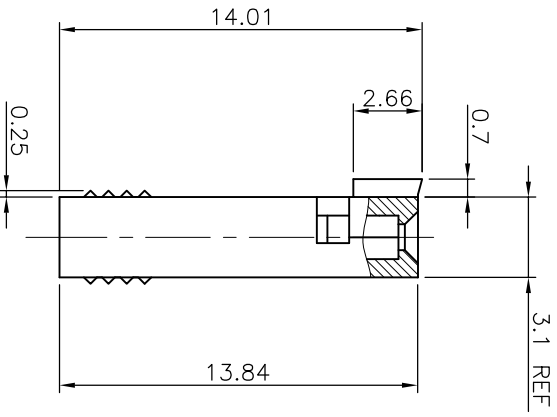
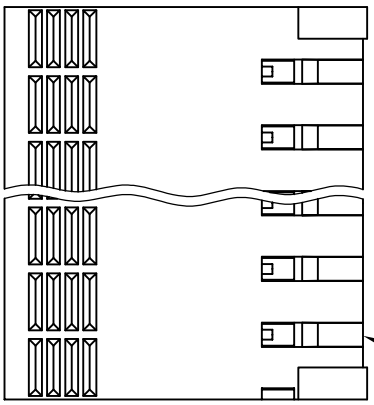
PACKAGING, NOTE 3

NUMBER OF CAVITIES PER ROW: 02 TO 36.

PLASTIC MATERIAL.



SEE NOTE 2



NOTES:

- 1 - HOUSING MAT'L: THERMOPLASTIC GLASS FILLED FLAME RETARDANT PER UL 94 V-0 COLOR: BLUE.
 - 2 - OVER DASH -007 ONLY FIRST AND LAST THREE POSITIONS MUST HAVE GROOVES ON TWO SIDES.
 - 3 - PACKAGING :
 "V" = PACKAGING POLYBAGS
 "V" = PACKAGING POLYBAGS FOR CUSTOMER DEDICATED PART
 - 4 - TO DETERMINE DIMENSIONS:
 N = NUMBER OF POSITIONS
 EXAMPLE: 8 POS: (N x 2.54) - 0.08 = 20.24 mm.
 - 5 - FOR TECHNICAL APPLICATION SEE TA317.
 - 6 - ROHS COMPATIBLE PRODUCT SPECIFICATIONS
- a - LABELING:
 - MEETS PACKAGING SPECS AS PER GS-14-920
- b - LEGAL STATEMENT: SEE GS-22-008
- THE PRODUCT IS NOT INTENDED TO BE EXPOSED TO A MANUFACTURING SOLDER PROCESS.

mat'l. code	SEE NOTE	surface	tolerance	projection	product family
ISO 1302	ISO 406	ISO 101	DUBOX		
ISO 1302	ISO 406	ISO 101	CTW HOUSING		
ISO 1302	ISO 406	ISO 101	SR		
ISO 1302	ISO 406	ISO 101	65240		
ISO 1302	ISO 406	ISO 101	CUSTOMER Drawing		
ISO 1302	ISO 406	ISO 101	Sheet 1 of 1		
ISO 1302	ISO 406	ISO 101	A3		

