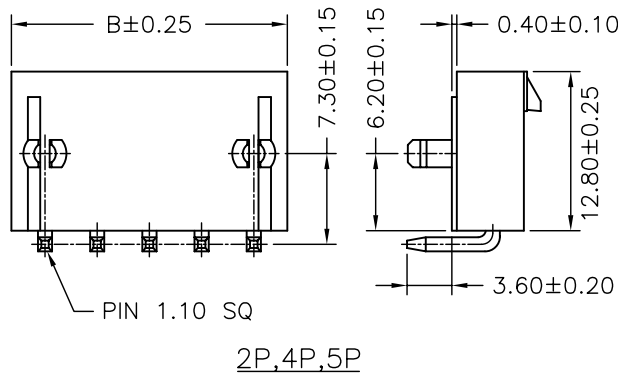
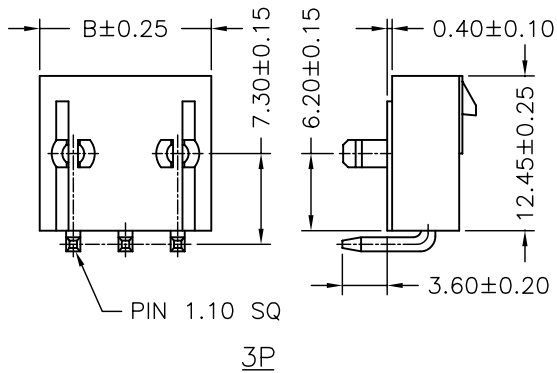
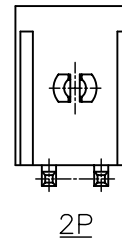
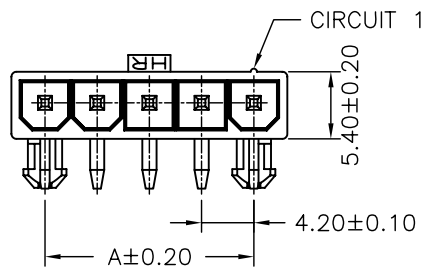
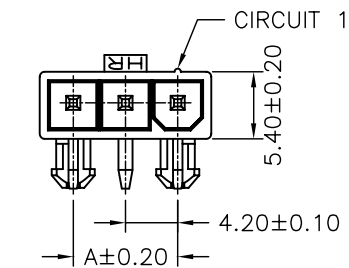
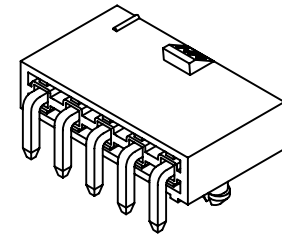


P.C.B. LAYOUT



SPECIFICATIONS

Current Rating: 9A AC,DC
 Voltage Rating: 600V AC,DC
 Temperature Range: -25°C ~ +85°C
 Contact Resistance: 10mΩ Max
 Insulation Resistance: 1000MΩ Min
 Withstanding Voltage: 1500V AC/minute
 Pin Material: Brass/Tin-plated
 Material: Nylon 66,UL94V-2
 Color: Natural(Translucent)

Ordering Information & Dimensions

PART NO.	Dimensions	
	A	B
C4255WR-F-02P	4.20	9.60
C4255WR-F-03P	8.40	13.80
C4255WR-F-04P	12.60	18.00
C4255WR-F-05P	16.80	22.20

			UNIT	SCALE	SHEET
			mm		1 of 1
			DRAWN BY		APPROVED BY
			董正一		董正一
			2003.01.24		2003.01.24
			GENERAL TOLERANCE		
			X. X±0.25	ANGLE±	
			X. XX±0.15		
			X. XXX±0.05		
B0	NEW RELEASE	2006.06.07			
REV.	DESCRIPTION	DATE			
TITLE:					
4.20mm PITCH					
90° WAFER WITH PEGS,					
SINGLE ROW, MINI-FIT					
DRAW NO. :					REV.
C4255WR-F-XP					B0