

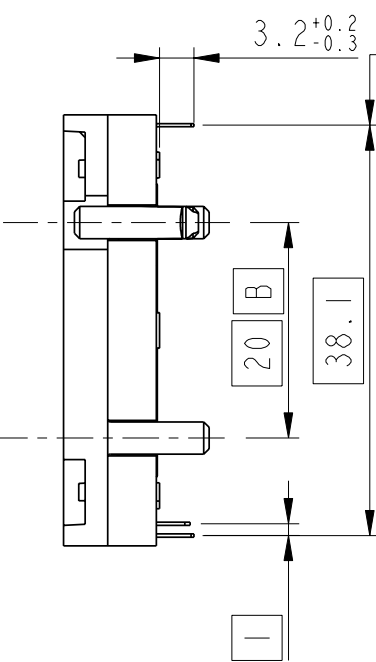
Tous droits strictement réservés. Reproduction ou communication à des tiers interdite sous quelque forme que ce soit sans autorisation écrite du propriétaire. Propriété de FCI. Droits de reproduction FCI.

FCI

All rights strictly reserved. Reproduction or issue to third parties in any form whatever is not permitted without written authority from the proprietor. Property of FCI. Copyright FCI.

CATALOGUE NUMBER
7434L0825S01
7434L0825S01LF *

* - LEAD FREE version



Crimping part to use with a thickness PCB of 1.6 holes $\phi = 3.2^{+0.1}_0$

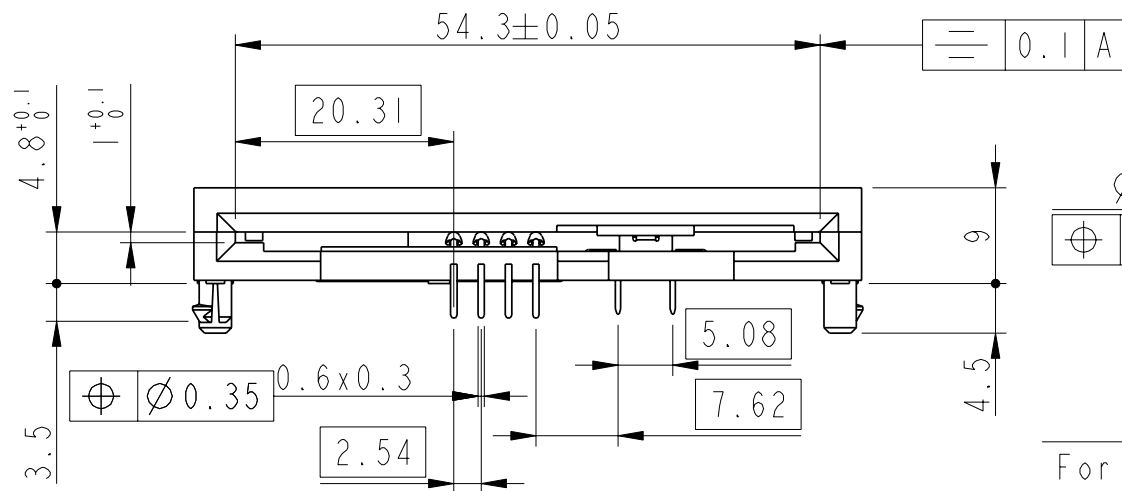
$\phi 0.05$

$\phi 3.0_{-0.1}$
 $\phi 0.05$

LEAD FREE VERSION:

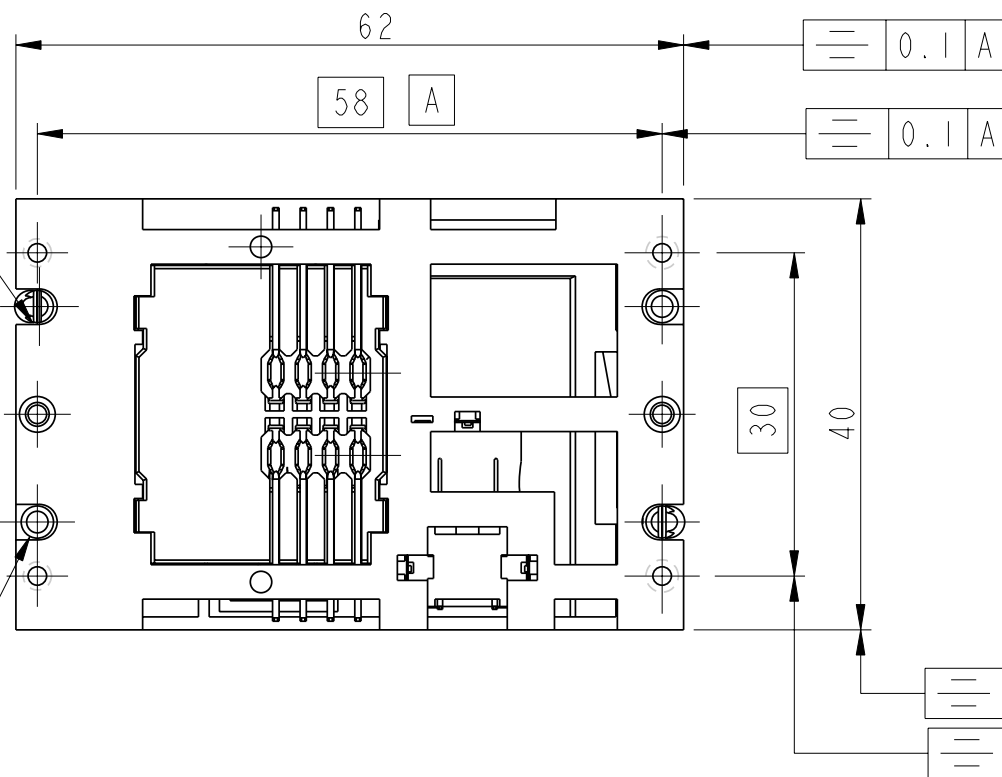
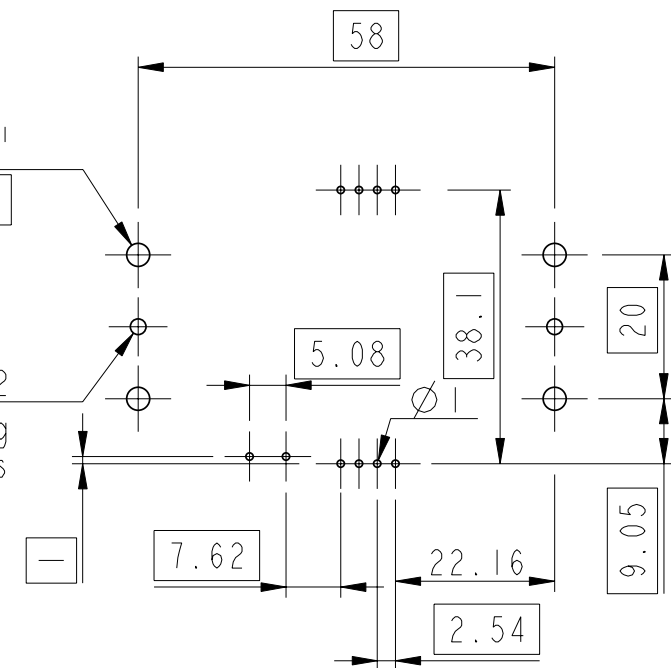
"This product meets European Union Directives and other country regulations as described in GS-22-008"

The housing will withstand exposure to 260°C peak temperature for 10seconds in a wave solder application with a 1.6mm minimum thick circuit board



$\phi 3.2^{+0.1}_0$
 $\phi 0.05$
 $\phi 2.2$
For fixing options

IMPLANTATION C.1
PCB FOOTPRINT



Tol Gen: 0mm to 10mm ± 0.1 mm
10mm to 30mm ± 0.15 mm
30mm to 60mm ± 0.2 mm
60mm and above ± 0.3 mm

FCI www.fciconnect.com		surface - <input checked="" type="checkbox"/>	tolerance <input checked="" type="checkbox"/>	projection <input checked="" type="checkbox"/>	MM
		ISO:1302	ISO:406 ISO:1101		
Dr	D.LEGRAND	02/04/29	Product family	SMARTCARD	size A3
Eng	F.TISSERAND	02/04/29	Spec ref	-	Scale 3:2
Chr	N.TWINCY	'05/07/20	Material	SEE NOTES	ECN 105-0181
Appr	K.SOMA	'05/07/20			
title SMARTCARD ASSEMBLY			dwg no VJWI2132		Rev. B
L08 - 8 contacts					
catalog no			CUSTOMER COPY		sheet 1 of 1