

BN Series





Key features of the BN series include:

- Power blocks (BN200 and BN400) up to 350A are available for DIN rail or direct mounting on panel surfaces



Specifications

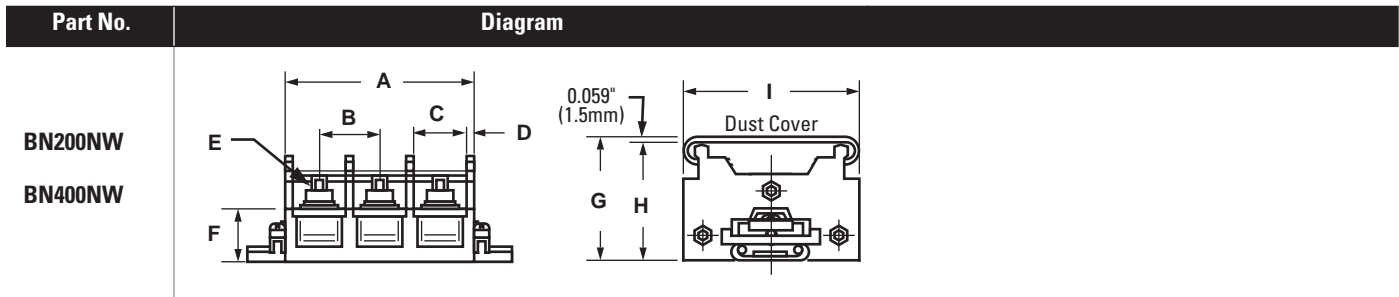
Power Blocks

Part Numbers		BN200NW# (replace # with the number of poles)	BN400NW# (replace # with the number of poles)	BN200NW#K (replace # with the number of poles)	BN400NW#K (replace # with the number of poles)	
Specifications	Appearance					
	Width	See dimension table on page P-8	See dimension table on page P-8	See dimension table on page P-8	See dimension table on page P-8	
	Approvals	UL, CSA, TUV	UL, CSA, TUV	UL, CSA, TUV	UL, CSA, TUV	
	No. of Poles	2, 3, 4	2, 3, 4	2, 3, 4	2, 3, 4	
	Wire Sizes	0000 AWG (100mm ²)	400 mcm (200mm ²)	0000 AWG (100mm ²)	400 mcm (200mm ²)	
	Current	600V / 200A	600V / 350A	600V / 200A	600V / 350A	
	Terminals	Size	M10 stud	M12 stud	M10 stud	M12 stud
		Type	17mm hex	19mm hex	17mm hex	19mm hex
	Mounting		35mm DIN rail	35mm DIN rail	Surface	Surface
	Terminal Torque	(N-m)	21 - 28	38 - 49	21 - 28	38 - 49
		(in-lbs.)	186 - 249	337 - 435	186 - 249	337 - 435
	DIN Rail Stop		BNL-8	BNL-8	—	—
	Dust Cover		Included	Included	Included	Included
Marking Strip		Included	Included	Included	Included	

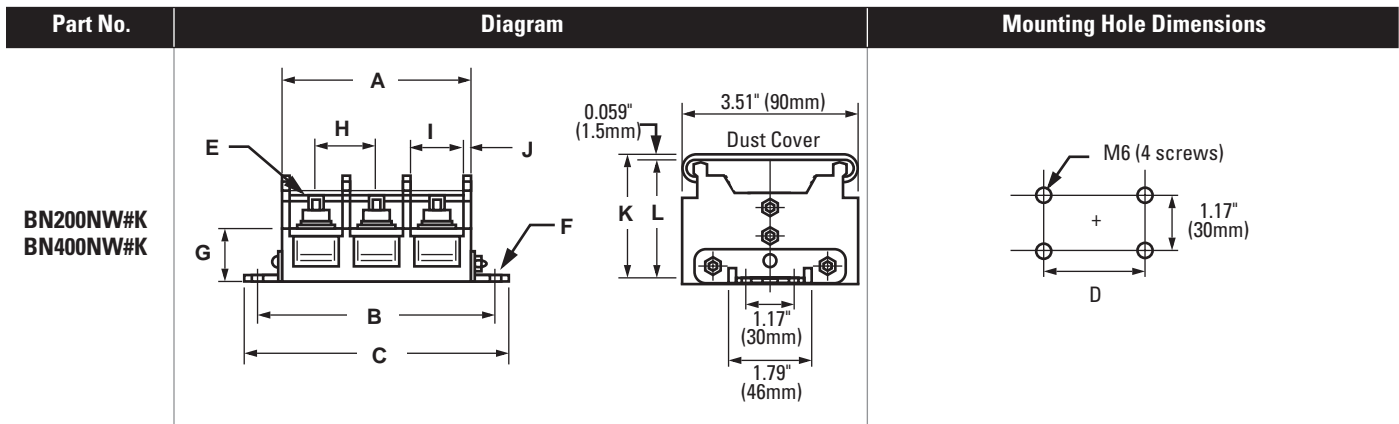


BNDN1000 aluminum DIN rails are available in 1 meter lengths.

Dimensions:



Part No.	No. of poles	Dim A	Dim B	Dim C	Dim D	Dim E	Dim F	Dim G	Dim H	Dim I
BN200NW	2-Pole	3.04" (78mm)	1.44" (37mm)	1.29" (33mm)	0.156" (4mm)	Terminal stud M10	1.33" (34mm)	2.59" (66.5mm)	2.56" (65mm)	3.51" (90mm)
	3-Pole	4.49" (115mm)	1.44" (37mm)	1.29" (33mm)	0.156" (4mm)	Terminal stud M10	1.33" (34mm)	2.59" (66.5mm)	2.56" (65mm)	3.51" (90mm)
	4-Pole	5.93" (152mm)	1.44" (37mm)	1.29" (33mm)	0.156" (4mm)	Terminal stud M10	1.33" (34mm)	2.59" (66.5mm)	2.56" (65mm)	3.51" (90mm)
BN400NW	2-Pole	4.41" (113mm)	2.22" (57mm)	2.03" (52mm)	0.195" (5mm)	Terminal stud M12	1.48" (38mm)	3.18" (81.5mm)	3.12" (80mm)	4.68" (120mm)
	3-Pole	6.86" (176mm)	2.22" (57mm)	2.03" (52mm)	0.195" (5mm)	Terminal stud M12	1.48" (38mm)	3.18" (81.5mm)	3.12" (80mm)	4.68" (120mm)
	4-Pole	9.09" (233mm)	2.22" (57mm)	2.03" (52mm)	0.195" (5mm)	Terminal stud M12	1.48" (38mm)	3.18" (81.5mm)	3.12" (80mm)	4.68" (120mm)








Part No.	No. of Poles	Dim A	Dim B	Dim C	Dim D	Dim E	Dim F	Dim G	Dim H	Dim I	Dim J	Dim K	Dim L
BN200NW#K	2-	3.04" (78mm)	3.9" (100mm)	4.52" (116mm)	3.9" (100mm)	Terminal stud M10	Ø 0.312" (8mm) 3 holes	1.33" (34mm)	1.44" (37mm)	1.29" (33mm)	0.156" (4mm)	2.59" (66.5mm)	2.54" (65mm)
	3-	4.49" (115mm)	5.34" (137mm)	5.97" (153mm)	5.34" (137mm)								
	4-	5.93" (152mm)	6.79" (174mm)	7.41" (190mm)	6.79" (174mm)								
BN400NW#K	2-	4.64" (119mm)	5.54" (142mm)	6.16" (158mm)	5.54" (142mm)	Terminal stud M12	Ø 0.312" (8mm) 3 holes	1.48" (38mm)	2.22" (57mm)	2.03" (52mm)	0.195" (5mm)	3.21" (81.5mm)	3.12" (80mm)
	3-	6.86" (176mm)	7.76" (199mm)	8.39" (215mm)	7.76" (199mm)								
	4-	9.09" (233mm)	9.98" (256mm)	10.61" (272mm)	9.98" (256mm)								

Terminal Blocks

Accessories








Part Numbers: End Plates, DIN Rail Stops, Stand-Offs, DIN Rail and Dust Covers

Description	Appearance	Use with	Part No.	Remarks
End Plates		BNH10W BNH15MW BNH15LW	BNE15W	
		BNH30W	BNE30W	
		BNF10SW BNF10NW BNF10DW	BNE20	
		BNH50W	BNE50W	
		BN75W	BNE75W	
		BN150W	BNE150W	
		BNDH15W	BNDE15W	
DIN Rail Stops		BNH10W BNH15MW BNH15LW BNH30W BNH50W BNF10SW BNF10NW BNF10DW BA111T BA211T BA311T BA411S BAF111SU BAF111SDU	BNL5 (small)	<ol style="list-style-type: none"> DIN rail stops prevent side-to-side movement. The BNL-5 width is 0.375" (9.5mm).
		BN75W BN150W	BNL6 (medium)	<ol style="list-style-type: none"> DIN rail stops prevent side-to-side movement. The BNL-6 width is 0.375" (9.5mm). To firmly stabilize these higher profile terminal blocks, the BNL-6 has a higher profile than the BNL-5.
		BNDH15W BN200NW# BN400NW#	BNL8 (large)	<ol style="list-style-type: none"> DIN rail stops prevent side-to-side movement. The BNL-8 width is 0.571" (14.5mm). # = number of poles.
DIN Rail Stand-Offs		All series	BNS3	1.46" (37mm) height
			BNS4	3.03" (77mm) height
DIN Rail		All series	BNDN1000 (length 39.37" (1m))	<ol style="list-style-type: none"> For calculating the rail lengths required, see the instructions on page P-18. The DIN rail material is aluminum.
Dust Covers		BNDH15W BNH10W BNH15MW BNH15LW BNH30W	BNC230	The overall length is 39.37" (1,000mm). The material is polycarbonate.
		BNH50W	BNC320	
		BN75W	BNC420	
		BN150W	BNC520	
		BN200	BAC820	
		BN400	BNC1000	

P
Terminal Blocks

Accessories con't

Part Numbers: Rods, Nuts, Marking Strips, Dust Covers, and Jumpers

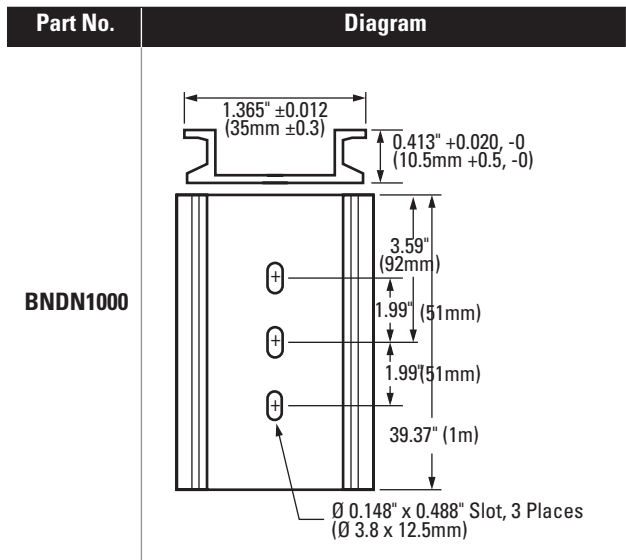
Description	Appearance	Use with	Part No.	Remarks
Marking Strips		All series	BNM7	Material: polyvinyl chloride (PVC) Strip dimensions are 0.37"x39" (9.5 x 1,000mm).
			BNM9	Material: fiberglass Strip dimensions are 0.37"x39" (9.5 x 1,000mm).
Marking Strip Fastener		All series	BNM3	Used to prevent marking strips from sliding out.
Ring Terminal Jumpers		BNH10W	BNJ16	Jumpers come standard with 6 points. Note: insulated jumpers available - add "B" to end of part number. For example, BNJ26WB.
		BNH15MW	BNJ26W	
		BNH15LW	BNJ46	
		BNH30W	BNJ56	
		BNDH15W	BNJ26W	
Fork Terminal Jumpers		BNH10W	BNJ16F	
		BNH15MW	BNJ26FW	
		BNH15LW	BNJ46F	
		BNH30W	BNJ56F	
		BNDH15W	BNJ26FW	
Surface Mount Bracket		BNDH15W (dual-deck)	BNDL2	Used to surface mount dual-deck terminal blocks. (BNDL2).
M4 Thread Rod		BNDH15W	BNR1 (265mm)	1. Rod and connecting nuts are used to mount dual-decks collectively. 2. Each connecting nut set includes 1 hex connecting nut and 1 round connecting nut.
			BNR2 (500mm)	
Connecting Nuts		BNR1 BNR2	BNN1	3. The BNR1 rod dimensions are 0.027" x 10.43" (0.7 x 265mm). 4. The BNR2 rod dimensions are 0.027" x 19.69" (0.7 x 500mm).



For accessory dimensions, see page P-14.

Dimensions

Dimensions: DIN Rail



Dimensions: Jumpers

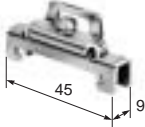
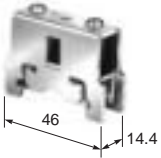
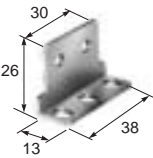
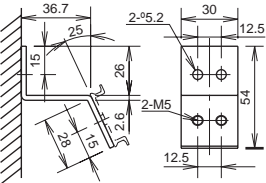
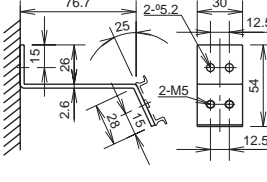
Part No.	Diagram	Dimensions						
		A	B	C	D	E*	F	G
BNJ16	<p>Part No. with "F" = Fork</p>	0.156" (4mm)	0.433" (11mm)	0.224" (6mm)	0.146" (4mm)	0.276" (7mm)	1.365" (35mm)	—
BNJ16F (fork)		0.433" (11mm)	0.144" (3.7mm)	0.224" (6mm)	0.146" (4mm)	0.276" (7mm)	1.365" (35mm)	0.156" (4mm)
BNJ26W		0.175" (4.5mm)	0.429" (11mm)	0.25" (6.4mm)	$\varnothing 0.144''$ (3.7mm)	0.312" (8mm)	1.56" (40mm)	—
BNJ26FW (fork)		0.429" (11mm)	0.175" (4.5mm)	0.25" (6.4mm)	$\varnothing 0.144''$ (3.7mm)	0.312" (8mm)	1.56" (40mm)	0.175" (4.5mm)
BNJ46		0.215" (5.5mm)	0.429" (11mm)	0.32" (8.2mm)	$\varnothing 0.165''$ (4.2mm)	0.41" (10.5mm)	2.048" (52.5mm)	—
BNJ46F (fork)		0.429" (11mm)	0.175" (4.5mm)	0.32" (8.2mm)	$\varnothing 0.165''$ (4.2mm)	0.41" (10.5mm)	2.048" (52.5mm)	0.215" (5.5mm)
BNJ56		0.234" (6mm)	0.371" (9.5mm)	0.363" (9.3mm)	$\varnothing 0.164''$ (4.2mm)	0.468" (12mm)	2.34" (60mm)	—
BNJ56F (fork)		0.371" (9.5mm)	0.228" (5.8mm)	0.363" (9.3mm)	$\varnothing 0.164''$ (4.2mm)	0.468" (12mm)	2.34" (60mm)	0.234" (6mm)



- 1.* Dimension E on center.
- 2.Thickness + 0.8mm (0.0315").

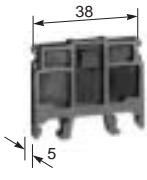
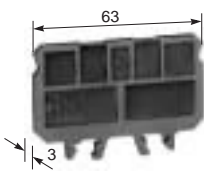
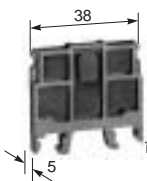
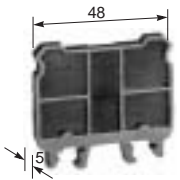
Dimensions (con't)

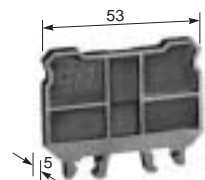
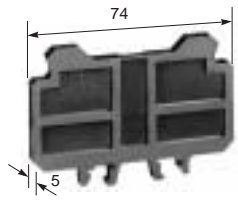
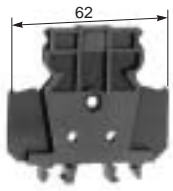
Dimensions: DIN Rail Stops and Stand-Offs

Part No.	Dimensions
BNL-5	 <p data-bbox="342 495 829 520">BNL-6 shown, BNL-5 same except without back crossbar</p>
BNL-6	
BNL-8	
BNDL2	
BNS3	
BNS4	

Dimensions (con't)


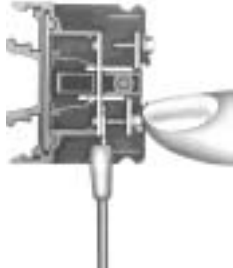


Dimensions: End Plates

Part No.	Dimensions
BNE15W	
BNE20	
BNE30W	
BNE50W	



Part No.	Dimensions
BNE75W	
BNE150W	
BNDE15W	

Instructions

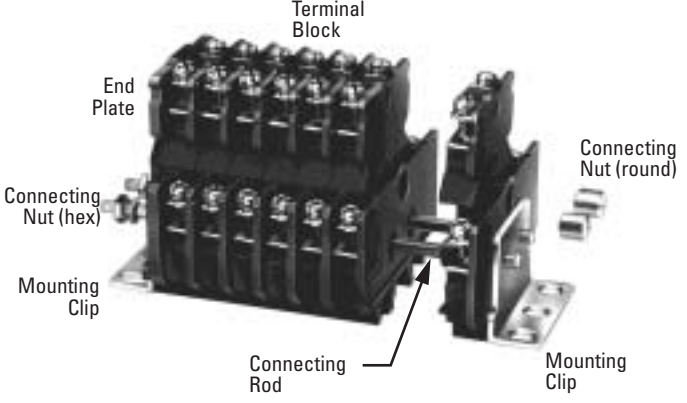
Wiring Touch-Down Terminal Blocks: BNH Series

Instructions	Step 1	Step 2	Step 3	Step 4
Step 1. Insert the wire (or crimping terminal) into the terminal block with the terminal screws in the open position. (Use of crimping terminals is optional.)				
Step 2. Push the terminal screw down to hold the wire in place.				
Step 3. Hold the terminal screw down, and tighten with a screwdriver.				
Step 4. To remove the wire, loosen the terminal screw and pull up until wire is released.				

Installation and Removal of Terminal Blocks

Instructions	Appearance
<p>Step 1. Slide the terminal blocks onto the DIN rail from one end.</p> <p>Step 2. Use BNL5 or BNL6 end clips to secure the terminal block row and to prevent side-to-side movement. BNH10W, BNH15MW, BNH15LW, and BNH30W can be installed from the middle of a DIN rail.</p> <p>Step 3. To install, place the terminal block on top of the DIN rail and push down until both edges of the terminal block snap onto the DIN rail.</p> <p>Step 4. To remove the terminal block, use the BND2 removal tool as shown on the right.</p>	  <p>Removal Tool BND2</p>

Mounting Double-Deck Terminal Blocks

Instructions	Appearance
<p>DIN Rail Mount:</p> <p>Step 1. First install the end plate. Then mount the terminal blocks onto the DIN rail.</p> <p>Step 2. To prevent side-to-side movement on the DIN rail, use the BNL-8 mounting clip at both ends of the rail.</p>	
<p>Panel Mount:</p> <p>Step 1. Assemble a row of terminal blocks with end plates on exposed end(s).</p> <p>Step 2. Use BNDL2 mounting clips at both ends of a row.</p> <p>Step 3. With the two holes of the mounting clip aligned with the terminal block holes, insert a connecting rod through each hole.</p> <p>Step 4. Secure the ends of the connecting rods with the connecting nuts, as shown below.</p>	

Calculating DIN Rail Lengths

Instructions	Appearance
<p>Step 1. Add widths of all terminal blocks (reference pages K-4 through K-9).</p> <p>Step 2. Add the endplate thickness (usually only one).</p> <p>Step 3. Add the DIN rail stop widths (usually two are used).</p> <p>Step 4. Round to the nearest 2" (50mm) increment to allow for DIN rail hole spacing.</p> <p>Step 5. Add 1" (25mm) to ensure 0.5" (12.5mm) of clearance at each end of the DIN rail.</p>	

DIN Rail Stop Dimensions

Part No.	Width
BNL-5	.374" (9.5mm)
BNL-6	.374" (9.5mm)
BNL-8	.571" (14.5mm)

Torque Specifications

Screw Size	M3	M3.5	M4	M5	M6	M8	M10	M12	Diagram
Torque (N-m)	0.6 to 1.0	1.0 to 1.3	1.4 to 2.0	2.6 to 3.7	3.9 to 5.4	10 to 13.5	21 to 28	38 to 49	
(kgf-cm)	6.1 to 10.2	10.2 to 13.3	14.3 to 20.4	26.5 to 37.7	39.8 to 55.1	102 to 138	214 to 286	388 to 500	
Dimension A	0.257" (6.6mm)	0.332" (8.5mm)	0.371" (9.5mm)	0.499" (12.8mm)	0.655" (16.8mm)	0.890" (22.8mm)	1.279" (32.8mm)	1.981" (50.8mm)	
Dimension B	0.129" (3.3mm)	0.156" (4mm)	0.176" (4.5mm)	0.176" (4.5mm)	0.234" (6mm)	0.312" (8mm)	0.429" (11mm)	0.546" (14mm)	
Dimension C	0.195" (5mm)	0.195" (5mm)	0.234" (6mm)	0.254" (6.5mm)	0.332" (8.5mm)	0.429" (11mm)	0.624" (16mm)	1.014" (26mm)	
Dimension D	Ø 0.125" (3.2mm)	Ø 0.140" (3.6mm)	Ø 0.164" (4.2mm)	Ø 0.203" (5.2mm)	Ø 0.242" (6.2mm)	Ø 0.332" (8.5mm)	Ø 0.410" (10.5mm)	Ø 0.488" (12.5mm)	

Rated Current

Applicable Wire	Rated at 60°C
22 AWG (0.3mm ²)	3A
20 AWG (0.5mm ²)	5A
18 AWG (0.75mm ²)	7A
16 AWG (1.25mm ²)	10A
14 AWG (2mm ²)	15A
12 (3.5mm ²)	20A
10 (5.5mm ²)	30A
6 (14mm ²)	50A
4 (22mm ²)	75A
0 (38mm ²)	100A
00 (60mm ²)	150A
0000 (100mm ²)	200A
300mcm (150mm ²)	300A
400mcm (200mm ²)	350A

UL/CSA ratings are specified. The current carrying capacity depends on the rating of the wire used, as shown.



P Terminal Blocks

Mouser Electronics

Authorized Distributor

Click to View Pricing, Inventory, Delivery & Lifecycle Information:

[IDEC:](#)

[BNL-8](#)