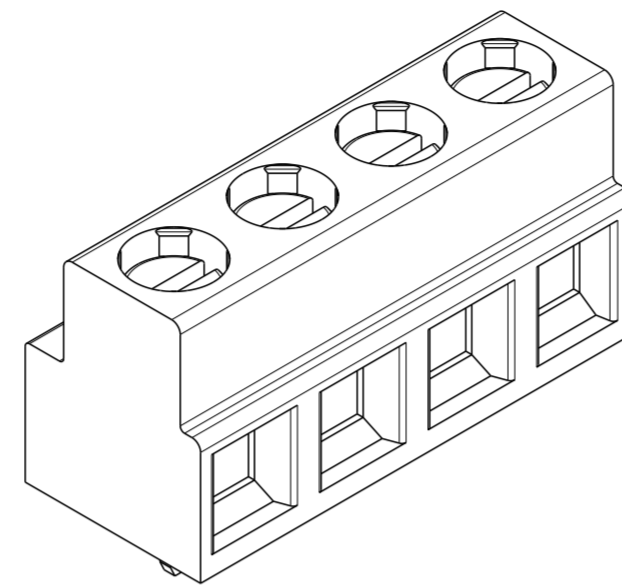
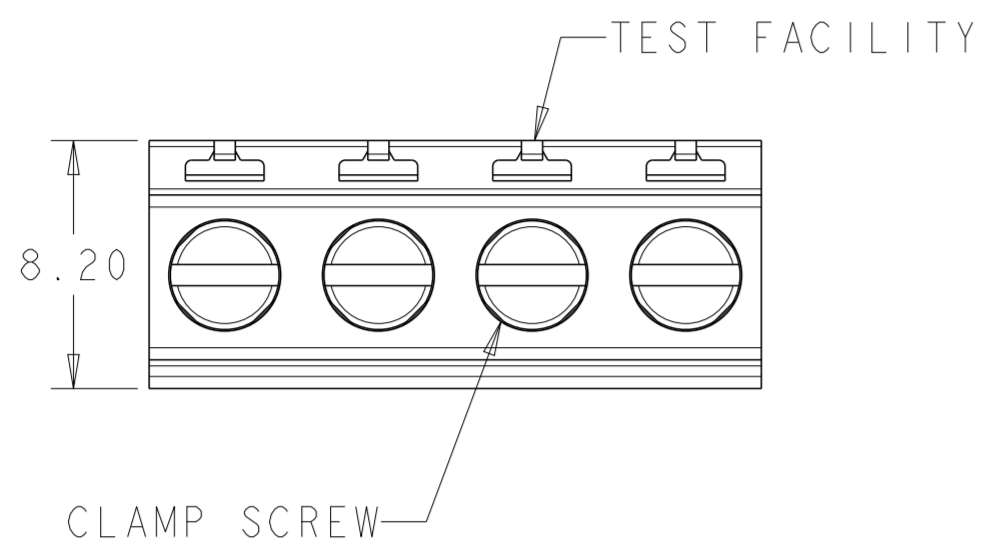


REVISIONS				
P	LTR	DESCRIPTION	DATE	APVD
	B7	DRAFTING ERROR CORRECTION	01JUL2019	RK PS



1776119-4 AS SHOWN

- MATERIAL AND FINISH
 HOUSING : HIGH TEMPERATURE POLYAMIDE, UL 94V-0 RATED, COLOR: BLACK
 CLAMP : COPPER ALLOY, NICKEL PLATED.
 TERMINAL: COPPER ALLOY, TIN PLATED.
 CLAMPING SCREW: M3, COPPER ALLOY, NICKEL PLATED.

- MECHANICAL:
 RECOMENDED TIGHTENING TORQUE : 0.5Nm
 WIRE STRIPPING LENGTH : 5.0-6.0mm
 BOARD HOLES DIAMETER : 1.3mm
 MAX. PC BOARD THICKNESS : 2.4mm

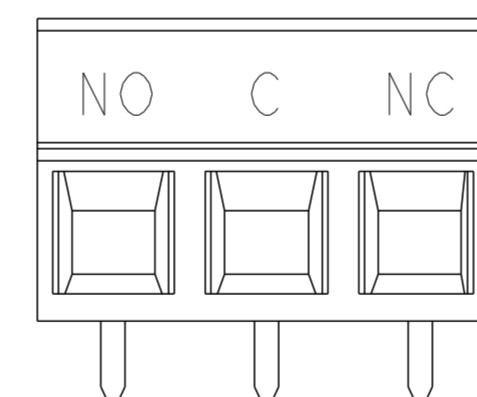
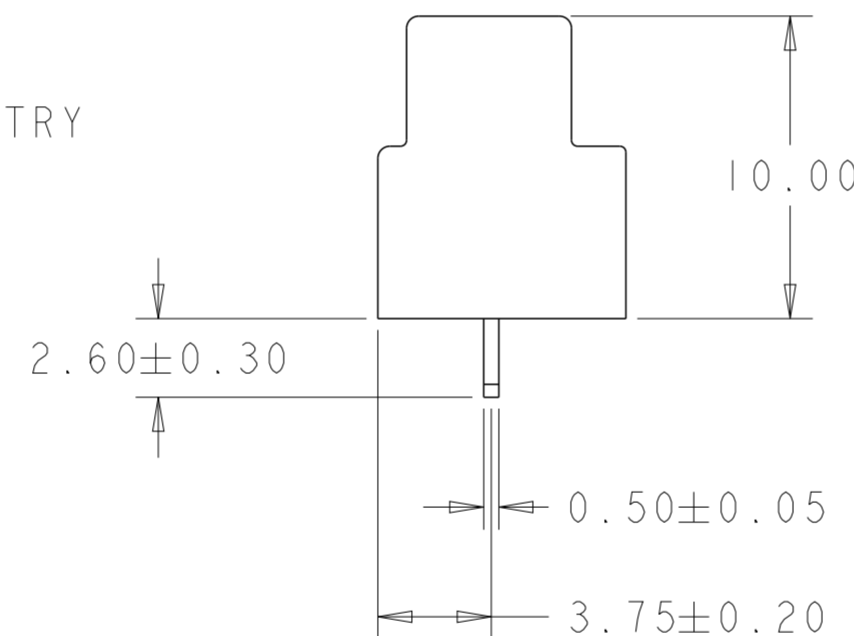
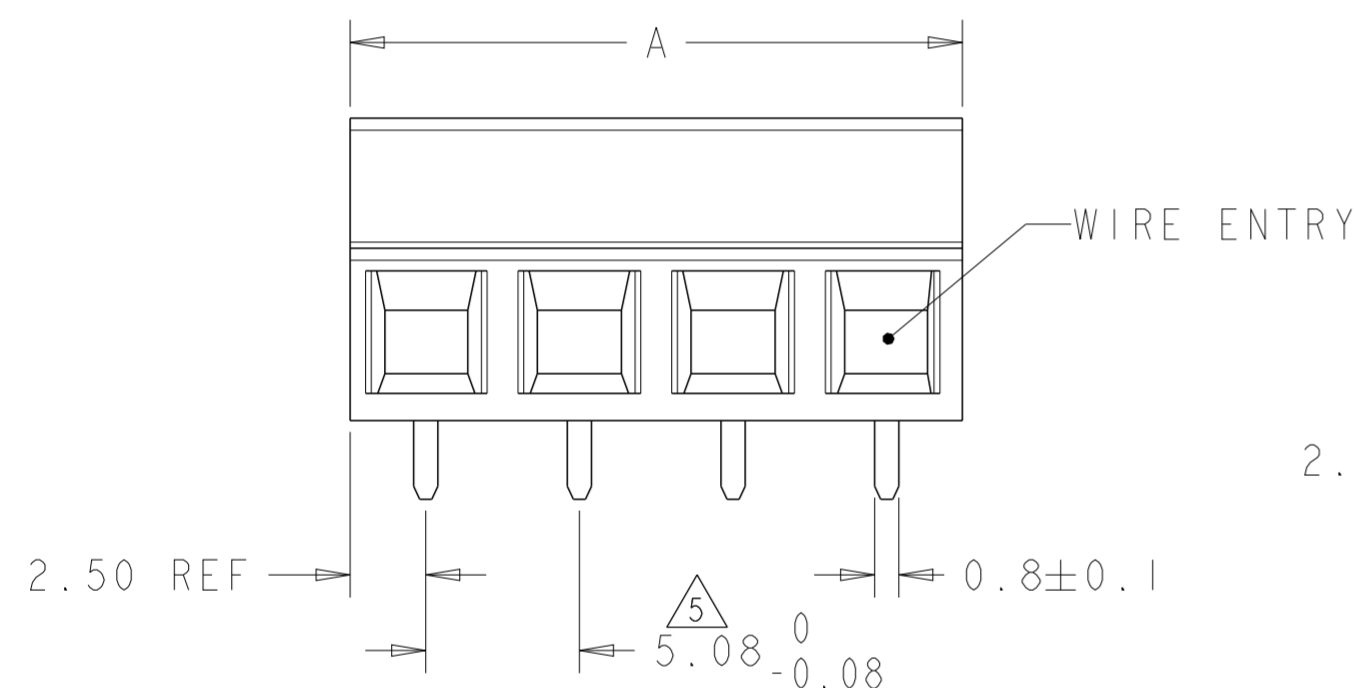
- ELECTRICAL
 WIRE RANGE : 16-30 AWG
 MAX. VOLTAGE : 300 V
 MAX CURRENT : 13.5 A
 CONTACT RESISTANCE : < 15 m Ohm
 INSULATION RESISTANCE : > 1000 M Ohm (500V DC)

- OPERATING TEMPERATURE RANGE: -40°C TO +105°C

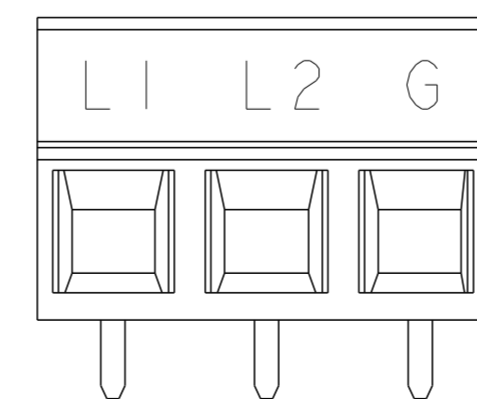
5 TOLERANCE NOT CUMULATIVE.

- RECOGNIZED UNDER THE COMPONENT PROGRAM OF UNDERWRITERS LABORATORIES IN.. FILE NO. E60677.

7 PERMANENT INK MARKING, WHITE.

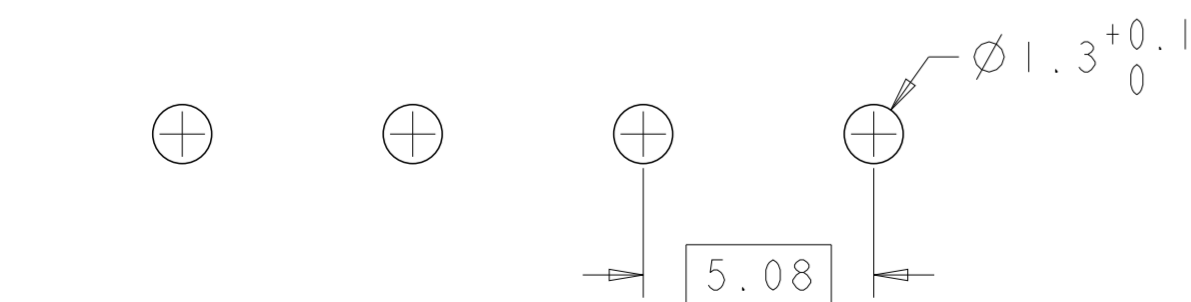


2-1776119-0 AS SHOWN



2-1776119-1 AS SHOWN

7	15.24 ⁺⁰ _{-0.22}	3	2-1776119-1
7	15.24 ⁺⁰ _{-0.22}	3	2-1776119-0
	30.48 ⁺⁰ _{-0.45}	6	1776119-6
	25.40 ⁺⁰ _{-0.38}	5	1776119-5
	20.32 ⁺⁰ _{-0.30}	4	1776119-4
	15.24 ⁺⁰ _{-0.22}	3	1776119-3
	10.16 ⁺⁰ _{-0.16}	2	1776119-2
	A	NO OF POSN	PART NUMBER



RECOMMENDED PC BOARD LAYOUT

THIS DRAWING IS A CONTROLLED DOCUMENT.		DWN S. WELDON 19NOV2008	TE Connectivity	
DIMENSIONS: mm		CHK C. RICHARD 19NOV2008		
TOLERANCES UNLESS OTHERWISE SPECIFIED:		APVD C. RICHARD 19NOV2008	NAME	
0 PLC ±		PRODUCT SPEC	TERMINAL BLOCK ASSEMBLY, PCB MOUNT, STACKING SIDE WIRE ENTRY, 5.08mm PITCH	
1 PLC ±0.2		APPLICATION SPEC	SIZE	RESTRICTED TO
2 PLC ±0.15			A2	
3 PLC ±0.001		WEIGHT	CAGE CODE	
4 PLC ±0.0001			G-1776119	
ANGLES ±2°		CUSTOMER DRAWING	DRAWING NO	
MATERIAL SEE NOTES	FINISH SEE NOTES	SCALE 4:1	SHEET 1 OF 1	REV B7

Mouser Electronics

Authorized Distributor

Click to View Pricing, Inventory, Delivery & Lifecycle Information:

[TE Connectivity:](#)

[1776119-6](#)