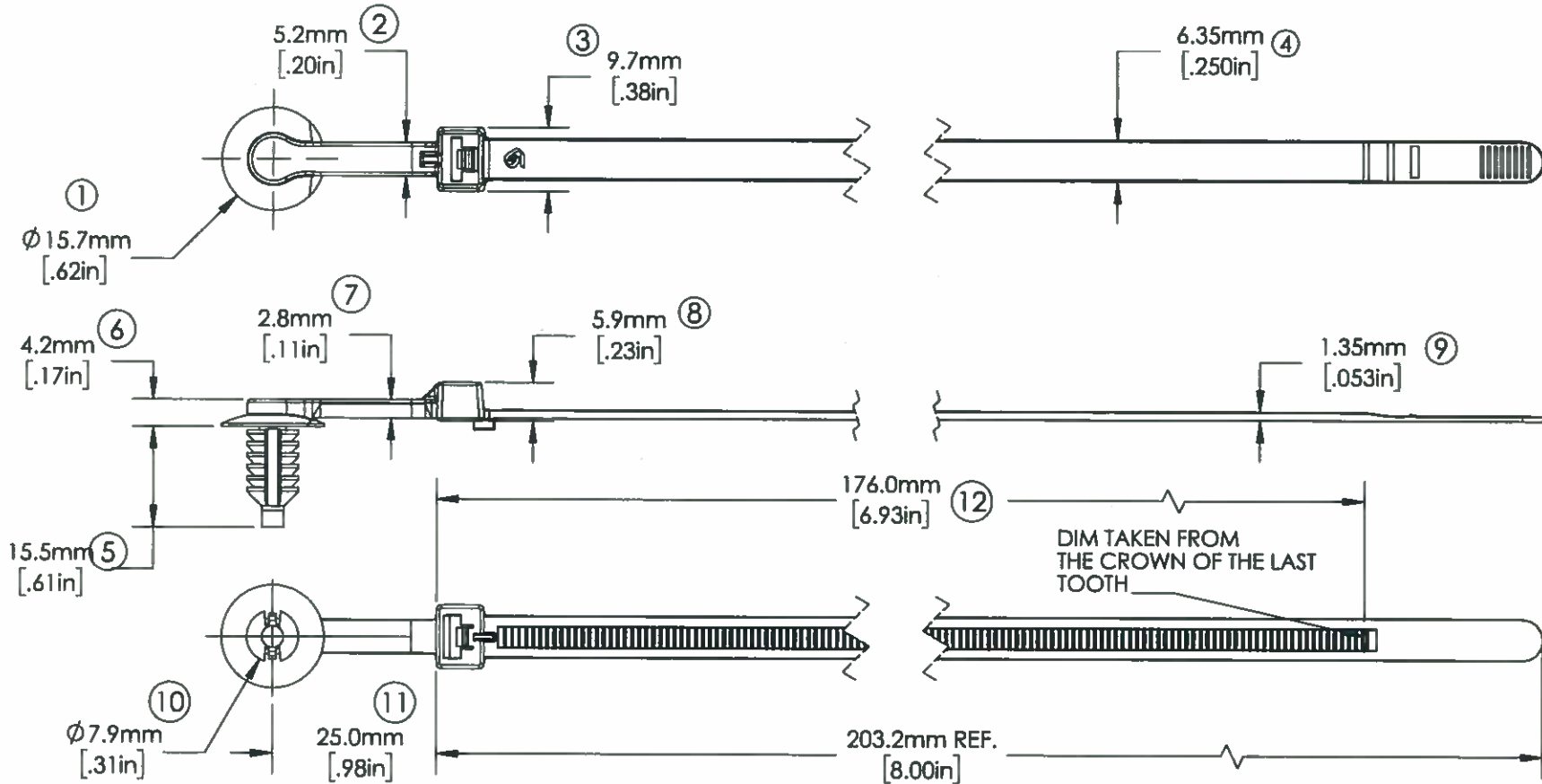


AVERY DENNISON MARKETING SPECIFICATION

HISTORY

REV.	DATE	DESCRIPTION
F	06.09.16	UPDATE MODEL TO CORRECT TAPER DIRECTION ON PART TAIL

THE SUBJECT MATTER DISCLOSED HEREIN EMBODIES PROPRIETARY INFORMATION WHICH IS THE CONFIDENTIAL PROPERTY OF THE AVERY DENNISON CO. NONE OF WHICH SHALL BE COPIED, REPRODUCED, DISCLOSED TO OTHERS, PUBLISHED OR USED IN WHOLE OR IN PART, FOR ANY PURPOSE OTHER THAN THAT FOR WHICH IT IS BEING MADE AVAILABLE WITHOUT THE EXPRESS ADVANCE WRITTEN PERMISSION OF A DULY AUTHORIZED AGENT OF THE COMPANY. THIS DOCUMENT IS THE PROPERTY OF THE AVERY DENNISON CO. AND IS TO BE RETURNED TO THE COMPANY ON DEMAND.



13	△	FLAMMABILITY	HB RATED PER FMVSS302
14	△	TENSILE STRENGTH:	50 LBF / 222.4N MIN.
		MOUNTING:	Ø 6.60MM ± 0.25MM HOLE AND 6.35MM HEX HOLE. PANEL THICKNESS OF 0.7MM TO 7.0MM.
		OPERATING TEMP RANGE:	-40 °F (-40 °C) TO 257 °F (125 °C)
		WEIGHT:	2.6 GRAMS EACH
		BUNDLE DIAMETER:	Ø 1/16" [1.6MM] TO Ø 1-3/4" [44.5MM]
		INSTALLATION TOOL:	12001 - HAND TOOL 12500 - PNEUMATIC TOOL
		TOOL TENSION SETTING:	6 - 8
		PACKAGING:	500/BAG, 10 BAGS/MASTER

△ = INDICATE SPECIAL CHARACTERISTICS

APPROVALS:

ENG. APPR. *[Signature]* 6/9/16
Q.A. APPR. *[Signature]* 6/9/16

SPECIFIED TOLERANCES
INCHES MM
.XX ± .03 .X ± .7
.XXX ± .010 .XX ± .25
ANGULAR: ± 2°

MATERIAL NYLON 6/6
IMPACT MODIFIED, HEAT STABILIZED
COLOR **BLACK**



FASTENER DIVISION
FITCHBURG, MA 01420 U.S.A.
TEL: 1-800-225-5913
FAX: 978-353-8157

DESCRIPTION
OFFSET TIE - STANDARD

STOCK NO. **20005-0**

REV. **F**

Mouser Electronics

Authorized Distributor

Click to View Pricing, Inventory, Delivery & Lifecycle Information:

[Avery Dennison:](#)

[20005-0](#)