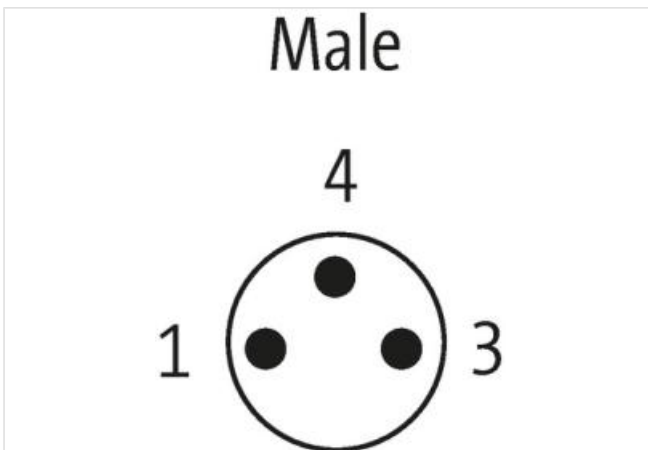
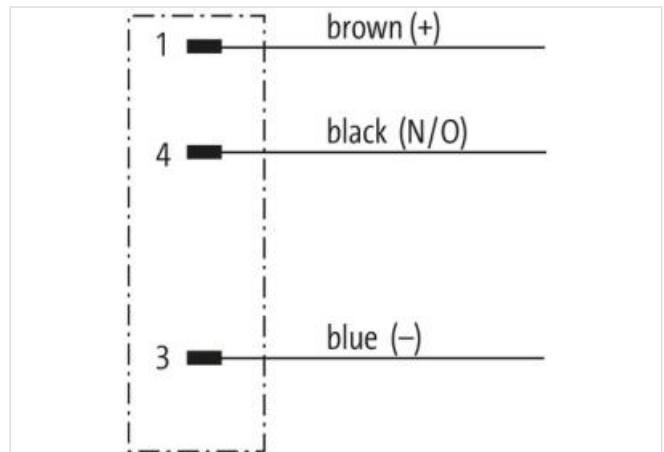


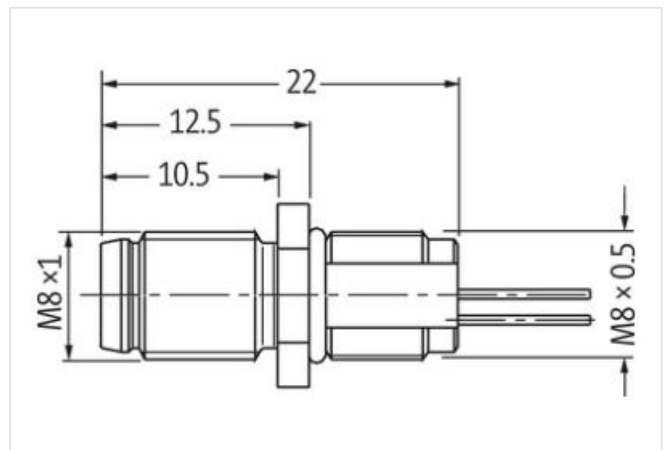
**M8 male recept. A-cod. front incl. nut**

PP-wires 3x0.25 0.5m

Flange male  
 Flange M8 male  
 M8, 3-pole  
 with multi-strand wire  
 Front mounting  
 3-pole  
 with multi-strand wire

[Link to Product](#)**Illustration**

Product may differ from Image



Cable length 0,5 m

**Technical Data**

Operating voltage max. 50 V AC/60 V DC

Rated surge voltage	1.5 kV
Operating current per contact	max. 4 A
No. of poles	3
Material group	IEC 60664-1, category I
LED display	no
Locking of ports	Screw thread (M8×1 mm) recommended torque 0.4 Nm, self-securing
Protection	IP67 inserted and tightened (EN 60529)
Protection NEMA	3, 4, 6P (UL 50E)
Locking material	Brass, nickel plated
Compression gland	M8 (SW10)

#### General data

Pollution Degree	3
Temperature range	-25...+85 °C

#### Cable

No./diameter of wires	3× 0.25 mm <sup>2</sup>
Wire isolation	PP (br, bk, bl)
Outer Ø	1.1 mm ±5%
Cable number	970
Temperature range (fixed)	-40...+90 °C
Temperature range (mobile)	-25...+90 °C
Bend radius (fixed)	5× outer Ø

# Mouser Electronics

Authorized Distributor

Click to View Pricing, Inventory, Delivery & Lifecycle Information:

[Murrelektronik:](#)

[7000-08553-9700050](tel:7000-08553-9700050)