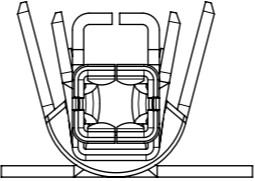
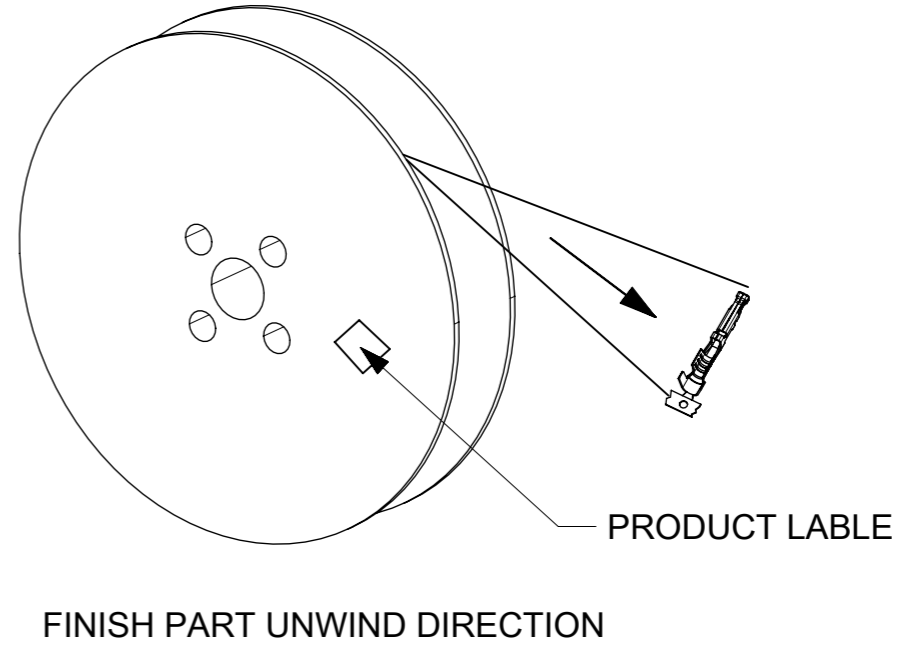
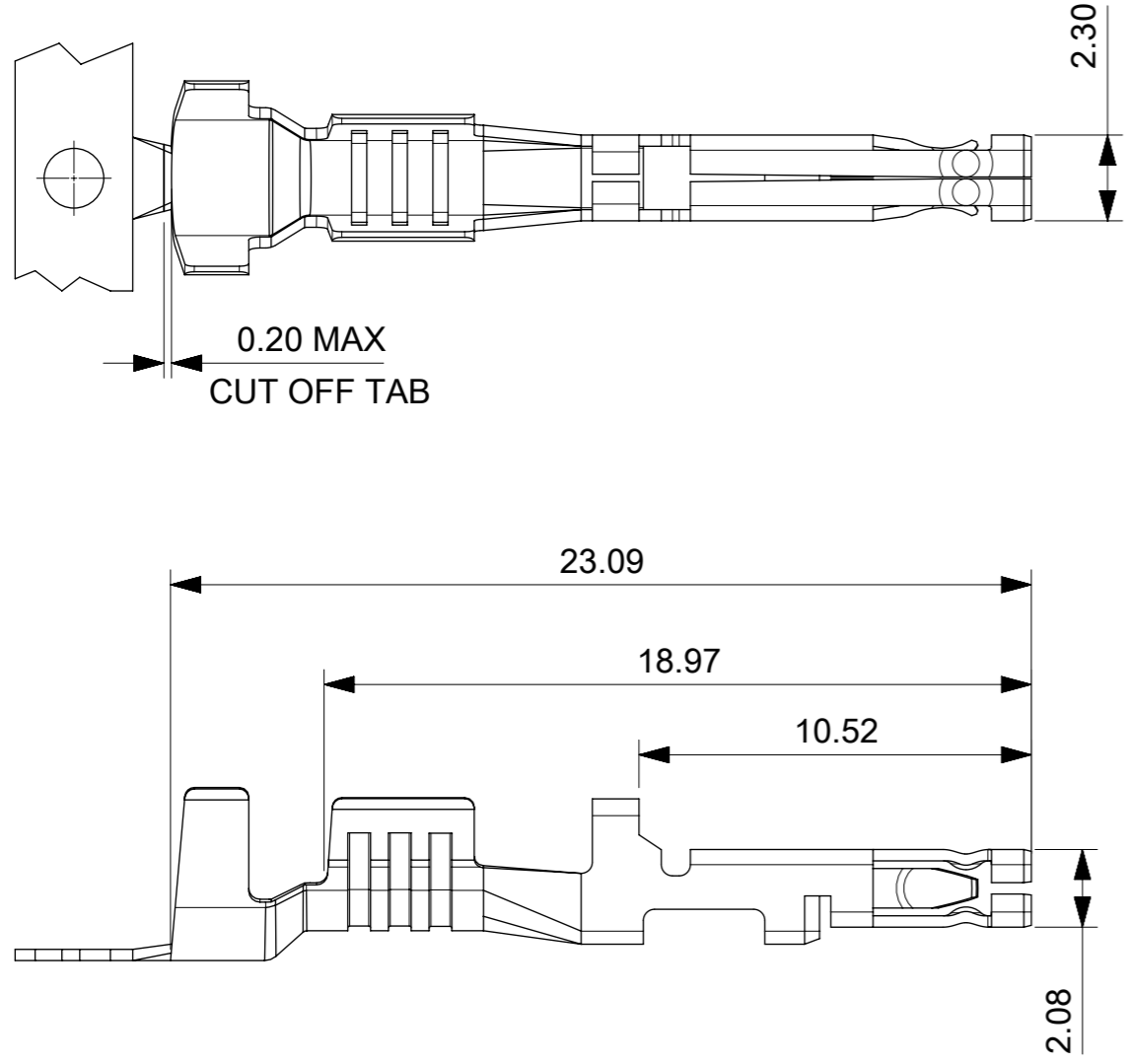
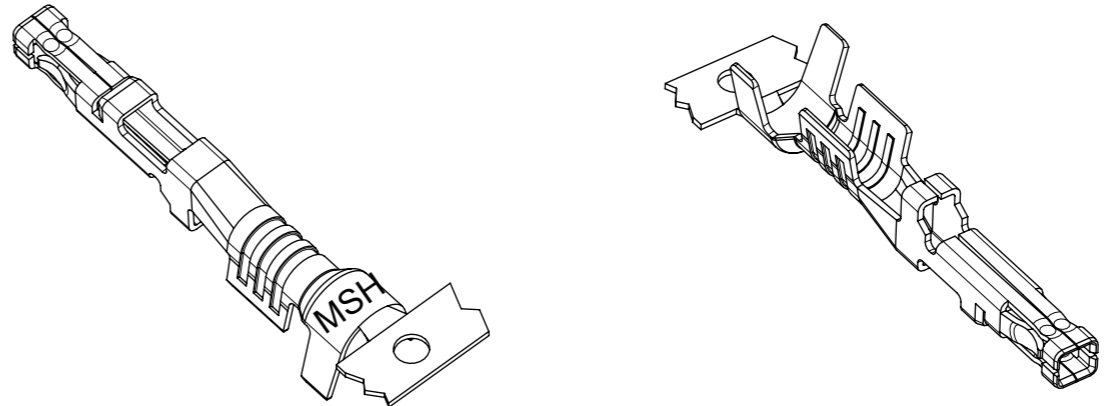
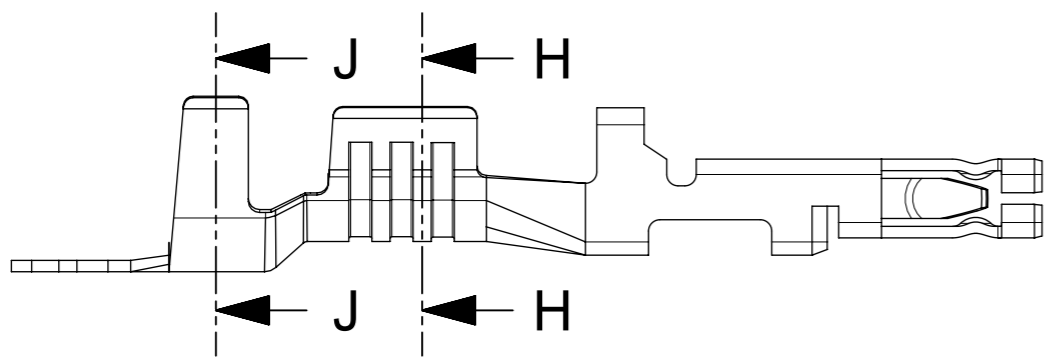


| WIRE GAUGE | | PART NUMBER | PLATING OPTION | LUBED | DIM "A" |
|--------------|-----------------------|-------------|---|-------|---------|
| NORMAL CRIMP | DOUBLE CRIMP | | | | |
| 10AWG | N/A | 76823-0345 | HOT DIP TIN PREPLATE-OVERALL 1.0µm(40µ") MIN | YES | 14.00 |
| 12AWG | 2x16AWG | 76823-0343 | | | 13.00 |
| 14/16AWG | 2x18AWG OR 2x20AWG | 76823-0344 | | | |
| 10AWG | N/A | 172063-0335 | 15µ" GOLD 0.38µm(15µ") GOLD CONTACT AREA,1.5µm(60µ")-2.5µm(100µ") MATTE TIN, OVER 1.25µm(50µ")-2.5µm(100µ") NICKEL OVERALL | YES | 14.00 |
| 12AWG | 2x16AWG | 172063-0333 | | | 13.00 |
| 14/16AWG | 2x18AWG OR 2x20AWG | 172063-0334 | | | |
| 10AWG | N/A | 172063-1335 | 30µ" GOLD 0.76µm(30µ") GOLD CONTACT AREA,1.5µm(60µ")-2.5µm(100µ") MATTE TIN, OVER 1.25µm(50µ")-2.5µm(100µ") NICKEL OVERALL | YES | 14.00 |
| 12AWG | 2x16AWG | 172063-1333 | | | 13.00 |
| 14/16AWG | 2x18AWG OR 2x20AWG | 172063-1334 | | | |

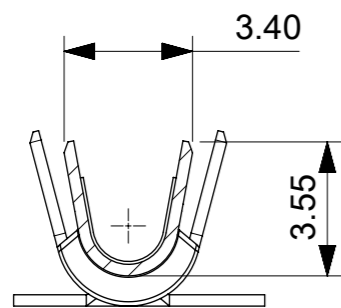


- NOTES:
1. MATERIAL: HIGH CONDUCTIVITY COPPER ALLOY.
 2. FINISH: SEE CHART.
 3. PRODUCT SPECIFICATION: 1720631000-PS/1054171000-PS.
 4. PACKAGING SPECIFICATION: REEL PER 768230200
 5. TERMINAL USED WITH MOLEX SERIES RECEPTACLE:17169202XX/200456
 6. APPLICATION SPECIFICATION: 768232000-AS

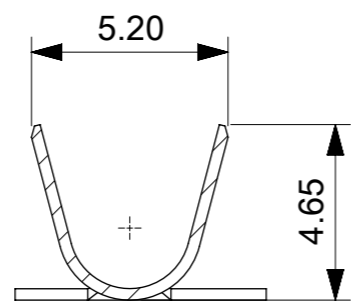
| | | | | | | | | | | | | | | |
|---|--|-------|--|---------------------------|--|---------|--|--------|--|---|--|----------------|----------|--------------|
| THIS DRAWING CONTAINS INFORMATION THAT IS PROPRIETARY TO MOLEX ELECTRONIC TECHNOLOGIES, LLC AND SHOULD NOT BE USED WITHOUT WRITTEN PERMISSION | | | | | | | | | | | | | | |
| DIMENSION UNITS | | SCALE | | CURRENT REV DESC: | | | | | | | | | | |
| mm | | NTS | | | | | | | | | | | | |
| GENERAL TOLERANCES (UNLESS SPECIFIED) | | | | EC NO: 722781 | | | | | | MEGA-FIT FEMALE TERMINAL FOR 14/16, 12AWG, AND 10AWG WIRE | | | | |
| ANGULAR TOL ± 3.0° | | | | DRWN: WYATTH5 2022/10/20 | | | | | | | | | | |
| 4 PLACES ± | | | | CHK'D: XQZHANG 2022/10/27 | | | | | | PRODUCT CUSTOMER DRAWING | | | | |
| 3 PLACES ± | | | | APPR: XQZHANG 2022/10/27 | | | | | | | | | | |
| 2 PLACES ± 0.25 | | | | INITIAL REVISION: | | | | | | DOCUMENT NUMBER | | DOC TYPE | DOC PART | REVISION |
| 1 PLACE ± 0.35 | | | | DRWN: YXZHENG 2016/12/15 | | | | | | 768230200 | | PSD | 000 | C3 |
| 0 PLACES ± | | | | APPR: YXZHENG 2018/08/06 | | | | | | MATERIAL NUMBER | | CUSTOMER | | SHEET NUMBER |
| DRAFT WHERE APPLICABLE MUST REMAIN WITHIN DIMENSIONS | | | | THIRD ANGLE PROJECTION | | DRAWING | | SERIES | | SEE TABLE | | GENERAL MARKET | | 1 OF 3 |



14/16AWG WIRE STYLES

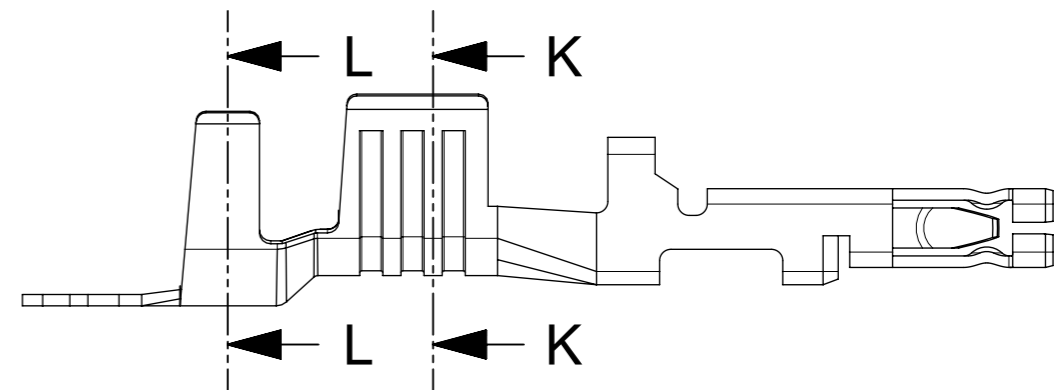


SECTION H-H

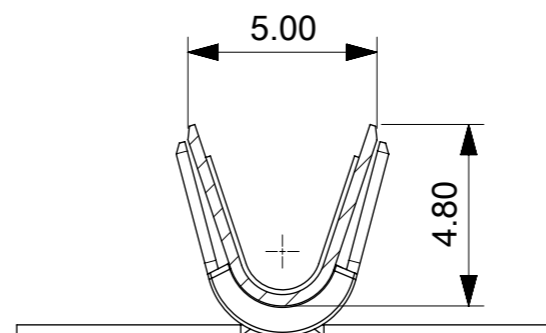


SECTION J-J

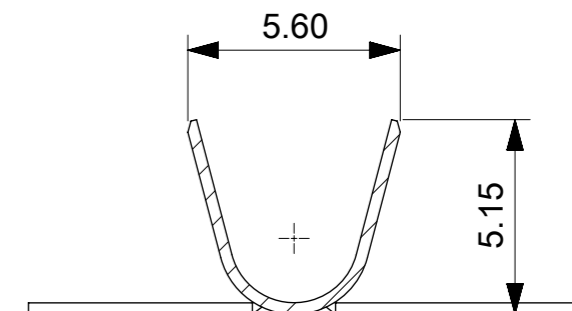
CONDUCTOR AND INSULATION 14/16AWG



12 AWG WIRE STYLES



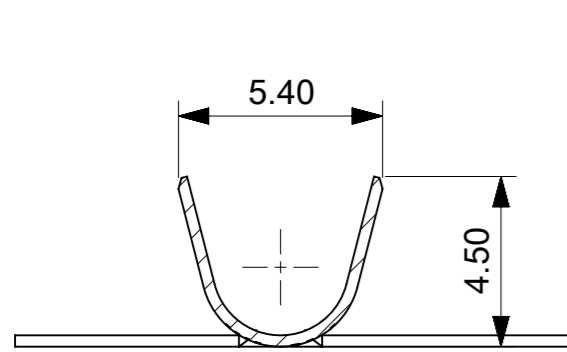
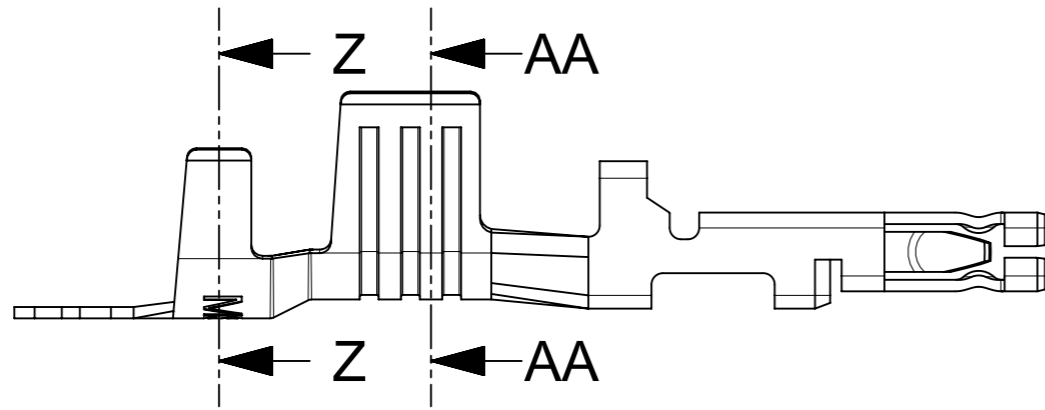
SECTION K-K



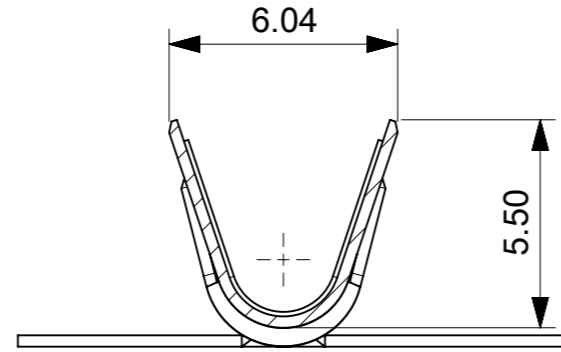
SECTION L-L

CONDUCTOR AND INSULATION 12AWG

| | | | | | | | | | | |
|---|-------|---------------------------|--|---------|--------|-----------------|---|--------------|--|--|
| THIS DRAWING CONTAINS INFORMATION THAT IS PROPRIETARY TO MOLEX ELECTRONIC TECHNOLOGIES, LLC AND SHOULD NOT BE USED WITHOUT WRITTEN PERMISSION | | | | | | | | | | |
| DIMENSION UNITS | SCALE | CURRENT REV DESC: | | | | | molex | | | |
| mm | NTS | | | | | | | | | |
| GENERAL TOLERANCES (UNLESS SPECIFIED) | | EC NO: 722781 | | | | | MEGA-FIT FEMALE TERMINAL FOR 14/16, 12AWG, AND 10AWG WIRE | | | |
| ANGULAR TOL ± 3.0° | | DRWN: WYATTH5 2022/10/20 | | | | | PRODUCT CUSTOMER DRAWING | | | |
| 4 PLACES ± | | CHK'D: XQZHANG 2022/10/27 | | | | | DOCUMENT NUMBER | | | |
| 3 PLACES ± | | APPR: XQZHANG 2022/10/27 | | | | | 768230200 | | | |
| 2 PLACES ± 0.25 | | INITIAL REVISION: | | | | | DOC TYPE | | | |
| 1 PLACE ± 0.35 | | DRWN: YXZHENG 2016/12/15 | | | | | PSD | | | |
| 0 PLACES ± | | APPR: YXZHENG 2018/08/06 | | | | | DOC PART | | | |
| DRAFT WHERE APPLICABLE MUST REMAIN WITHIN DIMENSIONS | | THIRD ANGLE PROJECTION | | DRAWING | SERIES | MATERIAL NUMBER | CUSTOMER | REVISION | | |
| | | | | A3-SIZE | 76823 | SEE TABLE | GENERAL MARKET | C3 | | |
| | | | | | | | | SHEET NUMBER | | |
| | | | | | | | | 2 OF 3 | | |

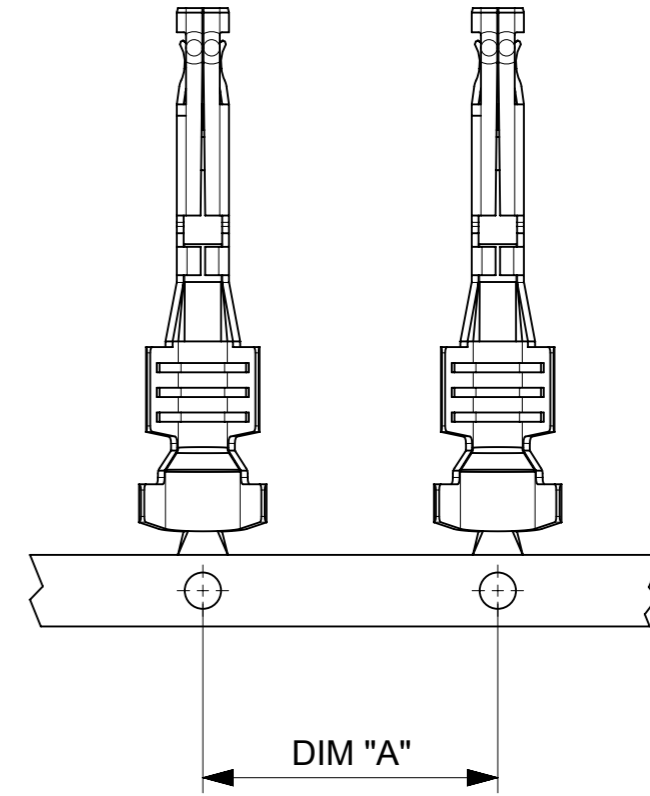


SECTION Z-Z



SECTION AA-AA

CONDUCTOR AND INSULATION 10AWG



| | | | | | | | | | |
|---|---------------------------|--------------------------|--------|--------------------------|--|----------------|----------|--------------|--|
| THIS DRAWING CONTAINS INFORMATION THAT IS PROPRIETARY TO MOLEX ELECTRONIC TECHNOLOGIES, LLC AND SHOULD NOT BE USED WITHOUT WRITTEN PERMISSION | | | | | | | | | |
| DIMENSION UNITS | SCALE | CURRENT REV DESC: | | | | | | | |
| mm | NTS | | | | | | | | |
| GENERAL TOLERANCES (UNLESS SPECIFIED) | | EC NO: 722781 | | | MEGA-FIT FEMALE TERMINAL FOR 14/16, 12AWG, AND 10AWG WIRE | | | | |
| ANGULAR TOL ± 3.0° | | DRWN: WYATTH5 2022/10/20 | | | | | | | |
| 4 PLACES ± | CHK'D: XQZHANG 2022/10/27 | | | PRODUCT CUSTOMER DRAWING | | | | | |
| 3 PLACES ± | APPR: XQZHANG 2022/10/27 | | | | | | | | |
| 2 PLACES ± 0.25 | INITIAL REVISION: | | | DOCUMENT NUMBER | | DOC TYPE | DOC PART | REVISION | |
| 1 PLACE ± 0.35 | DRWN: YXZHENG 2016/12/15 | | | 768230200 | | PSD | 000 | C3 | |
| 0 PLACES ± | APPR: YXZHENG 2018/08/06 | | | MATERIAL NUMBER | | CUSTOMER | | SHEET NUMBER | |
| DRAFT WHERE APPLICABLE MUST REMAIN WITHIN DIMENSIONS | THIRD ANGLE PROJECTION | DRAWING | SERIES | SEE TABLE | | GENERAL MARKET | | 3 OF 3 | |