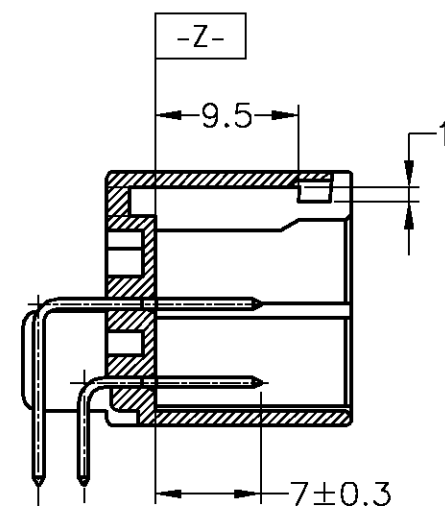
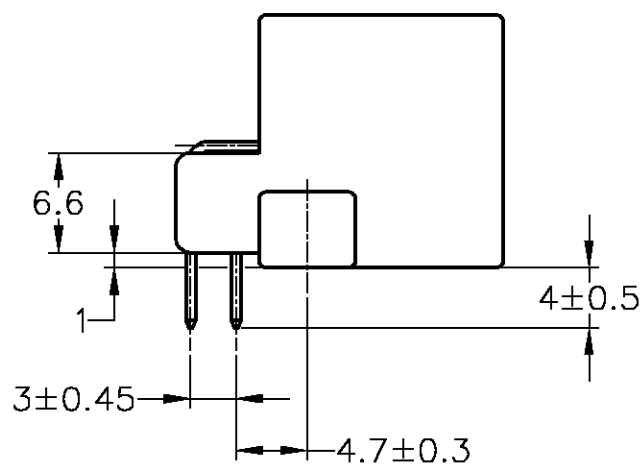
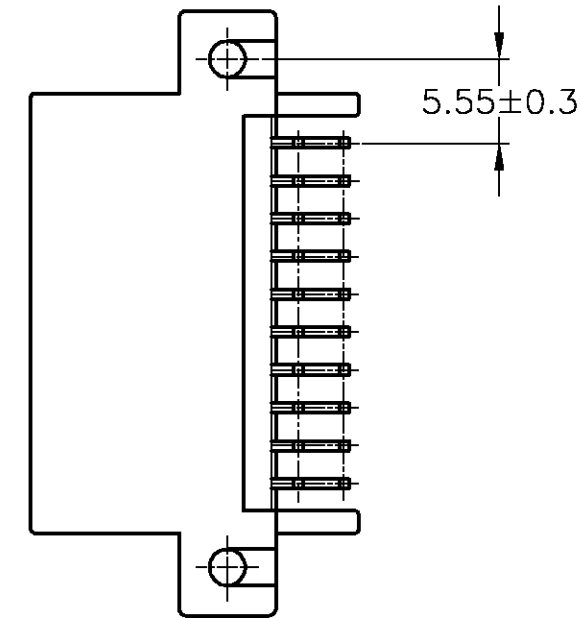
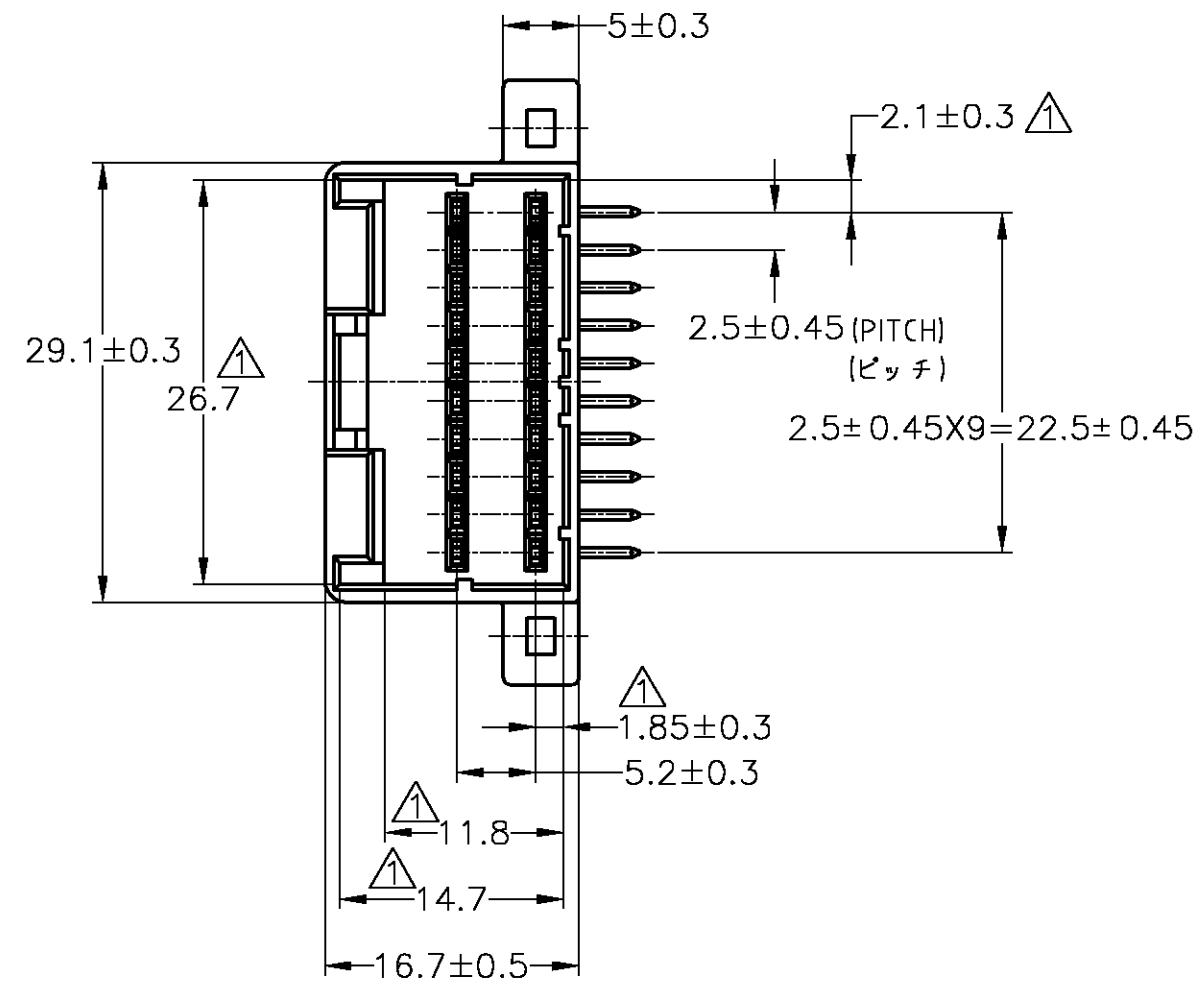
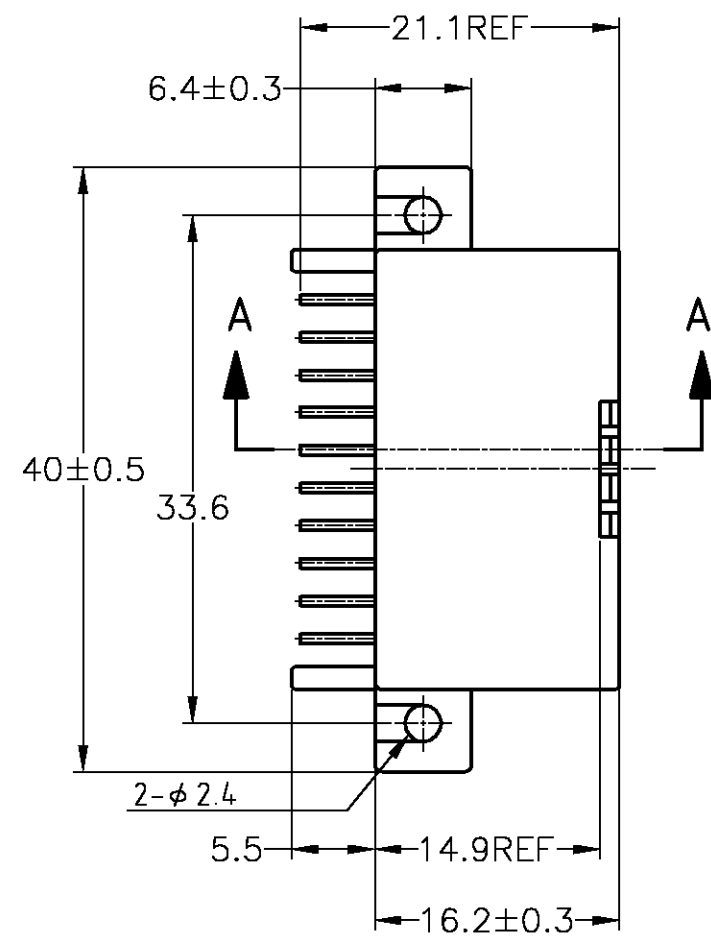


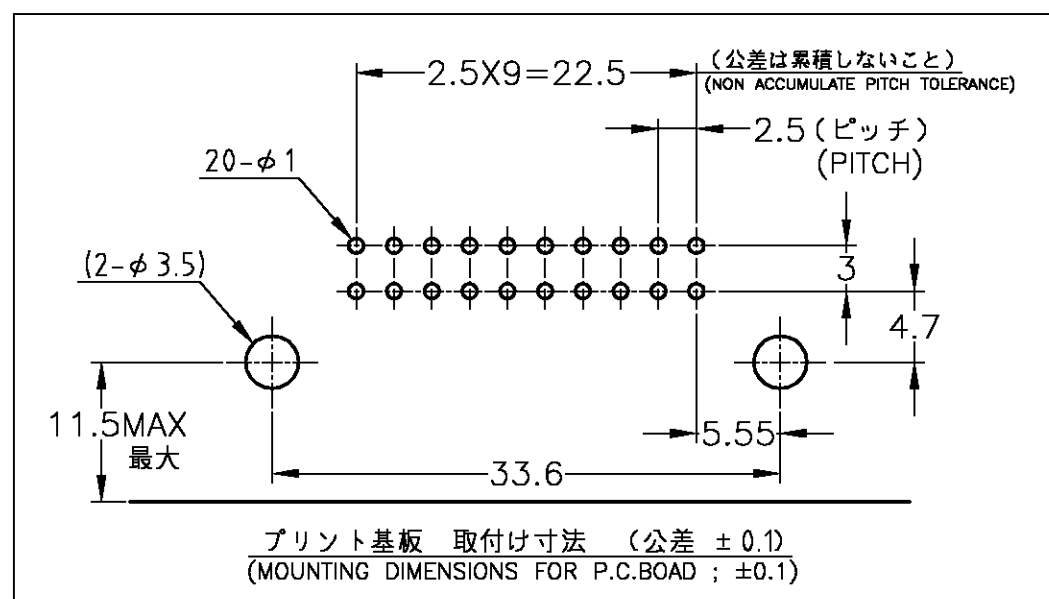
THIS DRAWING IS UNPUBLISHED. RELEASED FOR PUBLICATION
 © COPYRIGHT BY TYCO ELECTRONICS CORPORATION. ALL RIGHTS RESERVED.

LOC	DIST	REVISIONS					
J	-	P	LTR	DESCRIPTION	DATE	DWN	APVD
		G1	ADDED	-3	ECR-05-000199	15FEB05	TS KB



A-A

- △ [Z] 面より2mmの範囲で測定
 - 2. 適用プリント基板厚 : 1.6mm
 - 3. かん合相手ハウジング型番 : 174047
 - 4. 推奨取付けネジ : JIS B1115, B1122 タッピンねじ、なべ2種
呼び径3、長さ7mm以上 (締付トルク : 0.39N-m以下)
- △ TO BE MEASURED WITHIN 2mm FROM [Z]
- 2 APPLICABLE P. C. BOARD THICKNESS: 1.6mm
 - 3 THE MATING PLUG HOUSING PART NUMBER: 174047
 - 4 RECOMMENDED MOUNTING SCREW: 3mm DIA, 7mm LENGTH (MIN.)
PAN HEAD, CLASS 2 TAPPING SCREW SPECIFIED IN JIS B1115,
B1122 (TIGHTENING TORQUE: 0.39N-m MAX.)



TIN-LEAD	SELECTIVE GOLD	BLUE	1-174055-5
TIN-LEAD	SELECTIVE GOLD	BLACK	1-174055-2
	PRE-TIN	YELLOW	174055-7
	PRE-TIN	BLUE	174055-5
	PRE-TIN	GREEN	174055-4
SELECTIVE-TIN (MATTE)	SELECTIVE-TIN (BRIGHT)	BLACK	174055-3
	PRE-TIN	BLACK	174055-2
	PRE-TIN	BLACK	174055-1
SOLDERING SIDE 半田付け部	CONTACT SIDE 接触部側	COLOR 色	PART NUMBER 製品型番
CONTACT FINISH コンタクト仕上			

THIS DRAWING IS A CONTROLLED DOCUMENT.

DWN	T. SHINOHARA	15FEB05
CHK	K. BETSUI	15FEB05
APVD	K. BETSUI	15FEB05

Tyco Electronics AMP K.K.
Kawasaki, Japan

NAME 名称: 040 SERIES MULTI-LOCK I/O CONNECTOR
PRODUCT SPEC 製品規格: 20 POSITION CAP HOUSING ASSEMBLY (HORIZONTAL TYPE)

APPLICATION SPEC 取付適用規格: -

WEIGHT: -

SIZE: A2 CAGE CODE: 00779 DRAWING NO: 174055

CUSTOMER DRAWING

SCALE: 2:1 SHEET: 1 OF 1 REV: G1

一般公差 (GENERAL TOLERANCE)	
10mm以下	±0.2
10mm以上 30mm以下	±0.25
30mm以上	±0.3
角度: ±3°	

MATERIAL 材料: HOUSING: PBT
CONTACT: BRASS

FINISH 仕上: SEE TABLE

174055

A