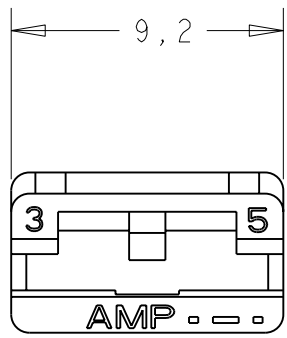
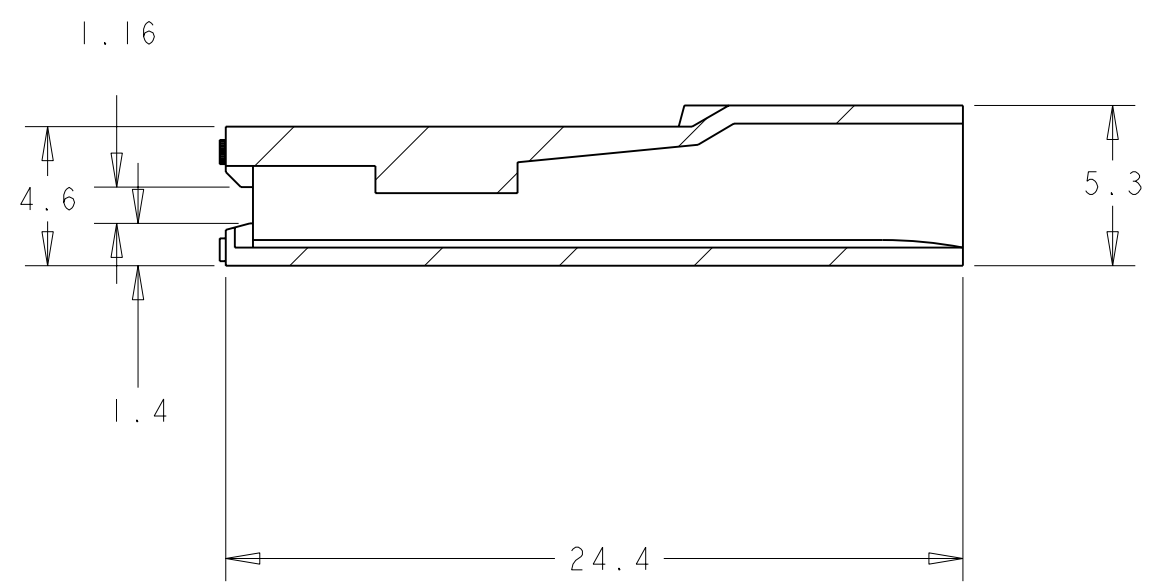
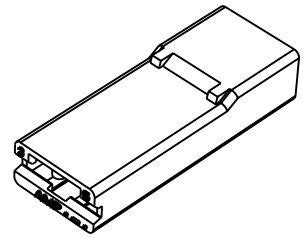


THIS DRAWING IS UNPUBLISHED. RELEASED FOR PUBLICATION 1998
 © COPYRIGHT 1998 BY TYCO ELECTRONICS CORPORATION. ALL RIGHTS RESERVED.

LOC	DIST	REVISIONS			
P	LTR	DESCRIPTION	DATE	DWN	APVD
	V3	Added note 2 for dash 8-735075 -1	1DEC2008	JL	L.B
	V4	REVISED PER ECO-09-025714	17DEC09	KK	AEG
	V1	Change pos.note 2 to dash 80	April/2006	J.L	J.L
	V2	Added dash 81 see ECR 08-012260	May2008	J.L	L.B



- 1 P.A. 6/6 Natural material according to spec. iec 60335-1 GWT 750° C without flame
- 2 Product manufactured with thermo stabilized raw material
- 3 OBSOLETE PARTS: OBSOLETE CIS STREAMLINING PER D.RENAUD/D.SINISI



2	NEGRO/ BLACK	POLYAMIDE 6/6 94 V-2	8-735075-1
1	NATURAL/CLEAR	POLYAMIDE 6/6 94 V-0	8-735075-0
3	OBSOLETE	NEGRO/ BLACK	6-735075-1
		NATURAL/CLEAR	6-735075-0
		NATURAL/CLEAR	2-735075-6
		NARANJA/ORANGE	1-735075-9
		VIOLETA/VIOLET	1-735075-8
		GRIS /GREY	1-735075-7
		MARRON/BROWN	1-735075-6
		NEGRO/BLACK	1-735075-5
		AMARILLO/YELLOW	1-735075-4
		AZUL/BLUE	1-735075-3
		VERDE/GREEN	1-735075-2
		ROJO/RED	1-735075-1
		NATURAL/CLEAR	1-735075-0
		NARANJA/ORANGE	735075-9
		VIOLETA /VIOLET	735075-8
		GRIS/GREY	735075-7
		MARRON/BROWN	735075-6
		NEGRO/BLACK	735075-5
		AMARILLO/YELLOW	735075-4
		AZUL/BLUE	735075-3
		VERDE/GREEN	735075-2
		ROJO/RED	735075-1
		NATURAL/CLEAR	735075-0
		COLOR /COLOUR	MATERIAL
			PART NUMBER REFERENCIA

THIS DRAWING IS A CONTROLLED DOCUMENT FOR TYCO ELECTRONICS CORPORATION IT IS SUBJECT TO CHANGE AND THE CONTROLLING ENGINEERING ORGANIZATION SHOULD BE CONTACTED FOR THE LATEST REVISION.		DWN J.LAZARO 22JAN98	Tyco Electronics Tyco Electronics AMP ESPAÑOLA S.A. BARCELONA Spain	
DIMENSIONS: mm		CHK L.BATLLO 22JAN98	NAME POST INSULATIONFASTON6.35 MM HSG CAJA RECEPTACULO FASTON 6.35 MM	
TOLERANCES UNLESS OTHERWISE SPECIFIED:		APVD L.BATLLO 22JAN98		
0 PLC ± 1 PLC ± 2 FCC ±GENERAL 3 FCC ±TOLERANCES 4 PLC ±0.3 ANGLES ±1		PRODUCT SPEC 108-22033		
MATERIAL SEE TABLE		FINISH SEE TABLE	APPLICATION SPEC -	RESTRICTED TO -
		WEIGHT -	SIZE A3	CAGE CODE 00779
		CUSTOMER DRAWING	DRAWING NO C-735075	REV V4