



FEATURES

- RoHS compliant
- Radial format
- Up to 16.2A I_{DC}
- 1.0µH to 1.0mH
- Low DC resistance
- PCB mounting
- Fully tinned leads
- Compatible with RoHS soldering systems
- Backward compatible with Sn/Pb soldering systems
- Custom parts available

DESCRIPTION

The 1500 Series is a general purpose range of inductors suitable for low to medium current applications such as power supply and other general purpose filtering designs. The central hole allows mechanical fixing with a non-magnetic screw.

SELECTION GUIDE

| Order Code | Inductance, (10kHz, 0.1V _{AC}) | DC Current ¹ | DC Resistance | Q @ f kHz | | SRF | Lead Dimensions (See Package Specifications) | |
|---------------|---|-------------------------|------------------|-----------|------|------|--|--------|
| | ± 10% | Max. | Max. | Nom. | | Nom. | Dim. A | Dim. B |
| | µH | A | mΩ | Q | f | MHz | mm | mm |
| 15102C | 1.0 ± 20% | 16.2 | 2.76 | 151 | 1000 | 142 | 1.18 | 13.6 |
| 15152C | 1.5 ± 20% | 14.9 | 3.48 | 155 | 1000 | 108 | 1.18 | 13.6 |
| 15222C | 2.2 ± 20% | 15.0 | 4.20 | 127 | 1000 | 82 | 1.18 | 13.6 |
| 15332C | 3.3 ± 20% | 11.8 | 5.76 | 128 | 1000 | 68 | 1.18 | 13.6 |
| 15472C | 4.7 ± 20% | 11.7 | 6.48 | 131 | 1000 | 60 | 1.18 | 13.6 |
| 15682C | 6.8 ± 20% | 10.2 | 8.04 | 133 | 1000 | 46 | 1.18 | 14.0 |
| 15103C | 10 | 9.01 | 10.6 | 112 | 1000 | 30 | 1.18 | 14.5 |
| 15153C | 15 | 7.44 | 15.5 | 109 | 1000 | 19 | 1.06 | 14.2 |
| 15223C | 22 | 6.80 | 18.8 | 102 | 1000 | 11 | 1.06 | 13.6 |
| 15333C | 33 | 5.08 | 31.2 | 107 | 1000 | 8 | 0.90 | 13.8 |
| 15473C | 47 | 4.04 | 45.6 | 104 | 1000 | 5 | 0.80 | 14.2 |
| 15683C | 68 | 3.33 | 70.3 | 100 | 1000 | 4 | 0.71 | 13.6 |
| 15104C | 100 | 2.62 | 110 | 89 | 1000 | 3 | 0.63 | 13.8 |
| 15154C | 150 | 2.28 | 149 | 126 | 800 | 2 | 0.60 | 13.6 |
| 15224C | 220 | 2.08 | 185 | 69 | 20 | 2 | 0.60 | 14.0 |
| 15334C | 330 | 1.71 | 263 | 68 | 20 | 1.6 | 0.56 | 13.8 |
| 15474C | 470 | 1.40 | 389 | 76 | 20 | 1.3 | 0.50 | 14.2 |
| 15684C | 680 | 1.12 | 574 | 86 | 25 | 1.0 | 0.45 | 14.0 |
| 15105C | 1000 | 0.91 | 887 | 96 | 30 | 0.8 | 0.40 | 13.6 |

ABSOLUTE MAXIMUM RATINGS

| | |
|--------------------------------------|-----------------|
| Operating free air temperature range | -40°C to +85°C |
| Storage temperature range | -40°C to +125°C |

SOLDERING INFORMATION²

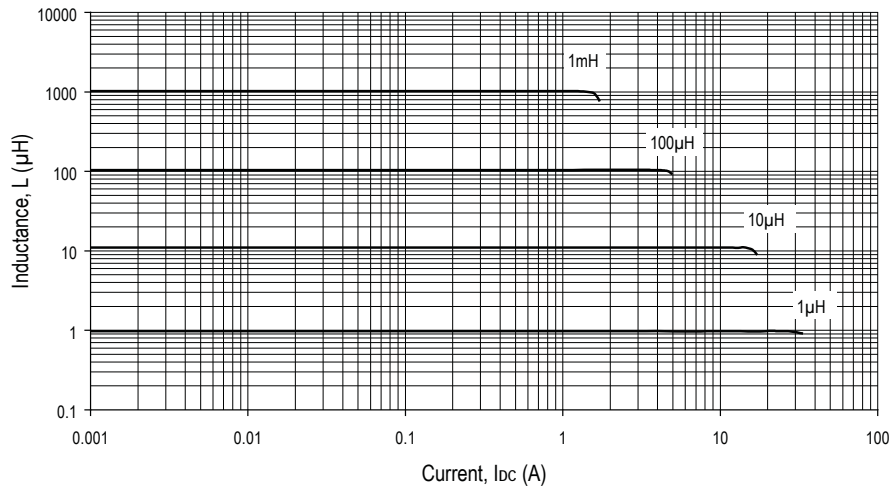
| | |
|------------------------------|----------------------|
| Peak wave solder temperature | 260°C for 10 seconds |
| Pin finish | Pure tin dip |

All specifications typical at T_A=25°C

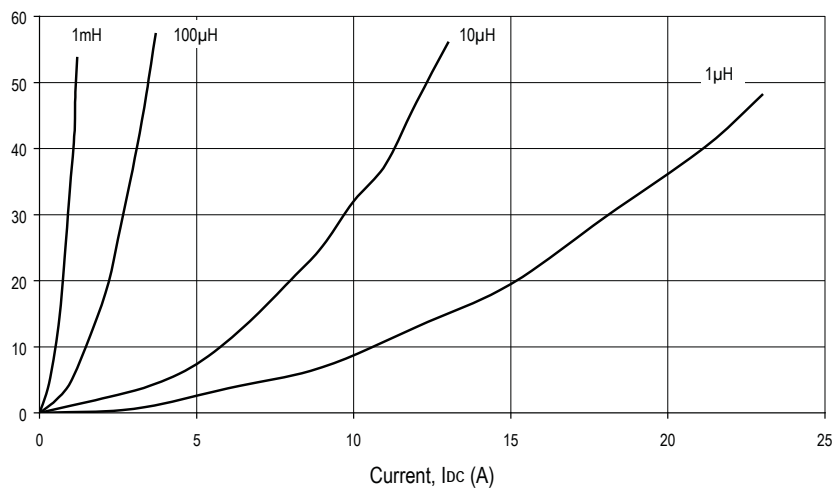
- 1 Maximum DC current occurs when either the inductance falls to 75% of its nominal value or when its temperature rise reaches 40°C, whichever is sooner.
- 2 For further information, please visit www.murata-ps.com/rohs



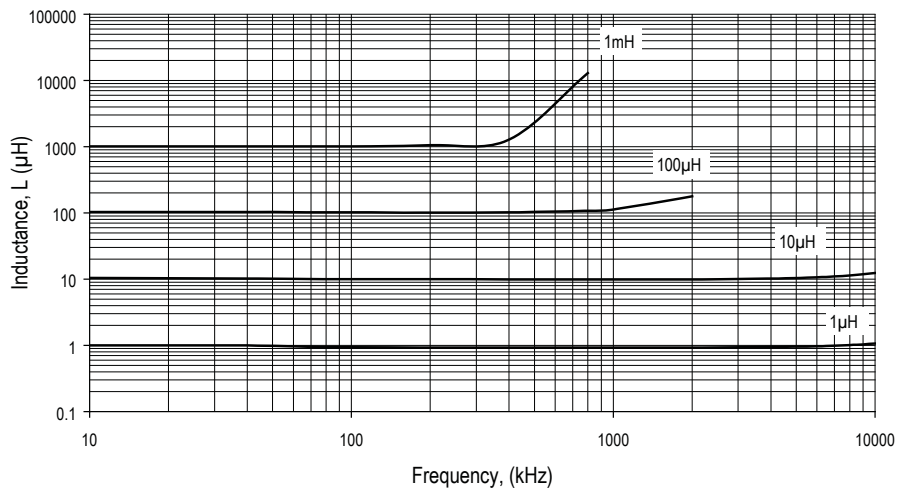
INDUCTANCE Vs CURRENT



TEMPERATURE Vs CURRENT

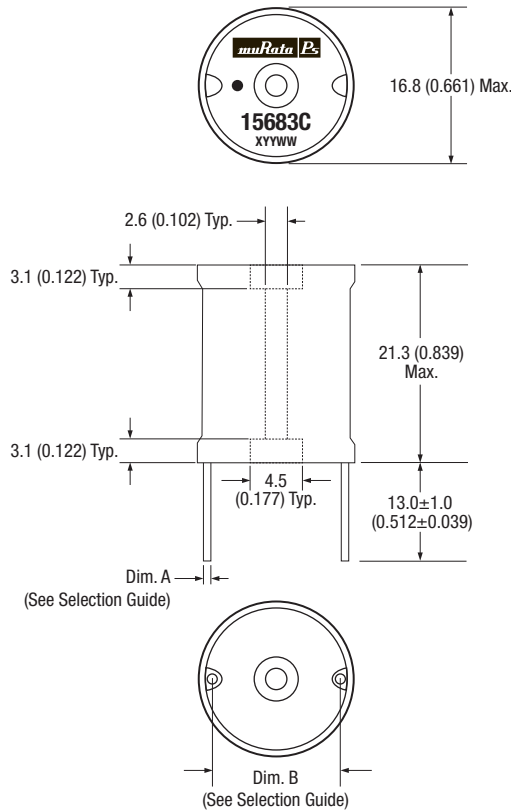


INDUCTANCE Vs FREQUENCY



PACKAGE SPECIFICATIONS

MECHANICAL DIMENSIONS



All dimensions in mm (inches). Package weight 13-18g Typ.
 Dot signifies the innermost turn of the winding.

PACKAGING DETAILS

Supplied in cartons (40 pieces per carton)