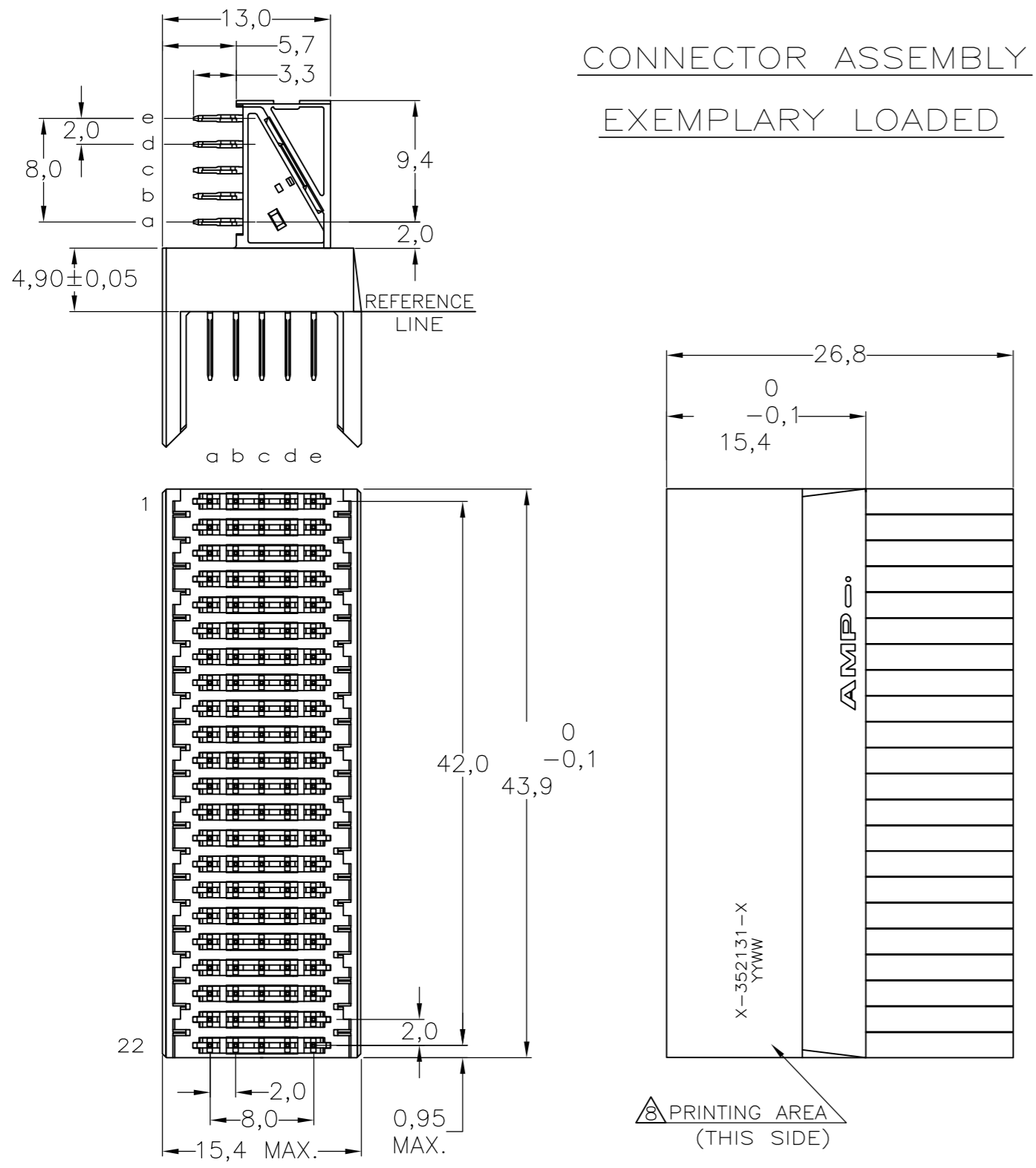
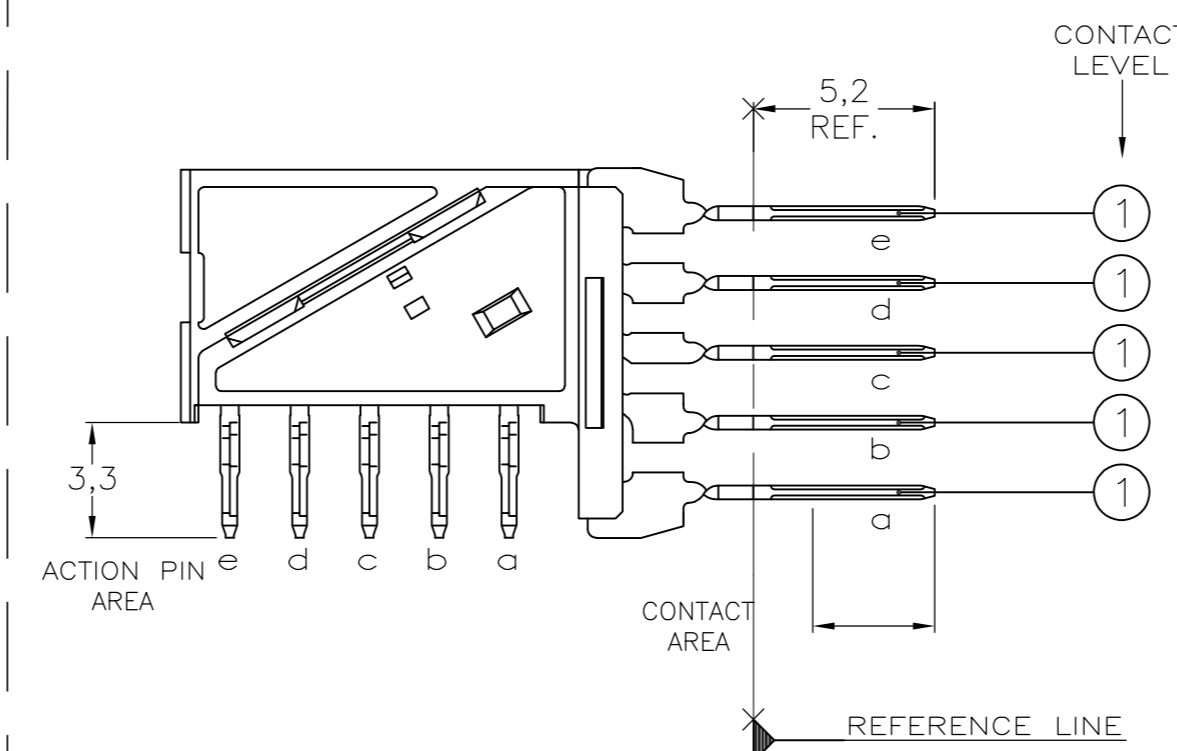


THIS DRAWING IS UNPUBLISHED. RELEASED FOR PUBLICATION
 © COPYRIGHT - By -TE connectivity ALL RIGHTS RESERVED.

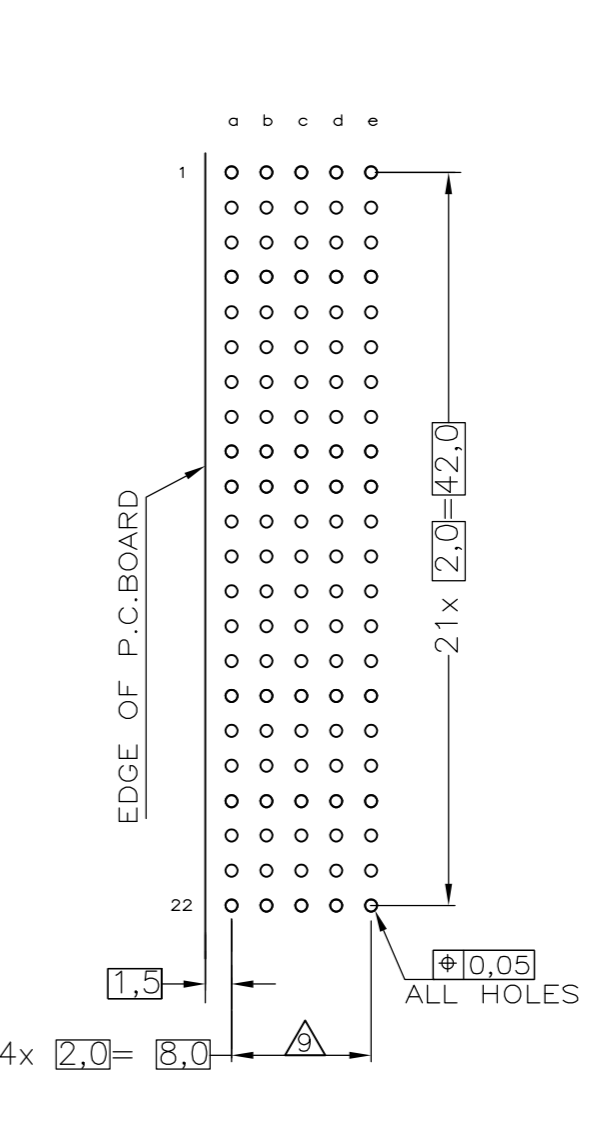


CONTACT DIMENSIONS



LOC		DIST		REVISIONS			
H	-	P	LTR	DESCRIPTION	DATE	DWN	APVD
		G2		ADD 3-0 PN PER ECR-022536	31JAN2012	A.S	M.W

RECOMMENDED PCB-HOLE LAY-OUT
COMPONENT SIDE SHOWN



CONTACT LAYOUT

	a	b	c	d	e
1	1	1	1	1	1
2	1	1	1	1	1
3	1	1	1	1	1
4	1	1	1	1	1
5	1	1	1	1	1
6	1	1	1	1	1
7	1	1	1	1	1
8	1	1	1	1	1
9	1	1	1	1	1
10	1	1	1	1	1
11	1	1	1	1	1
12	1	1	1	1	1
13	1	1	1	1	1
14	1	1	1	1	1
15	1	1	1	1	1
16	1	1	1	1	1
17	1	1	1	1	1
18	1	1	1	1	1
19	1	1	1	1	1
20	1	1	1	1	1
21	1	1	1	1	1
22	1	1	1	1	1

P.C.B. HOLE DIM. ACTION PIN
FOR DETAILS SEE
APPLICATION SPECIFICATION

NOTES:

- 1 MATERIAL HOUSING: GREY GLASSFILLED POLYESTER
UL 94 V-0
CONTACT: PHOSPHOR BRONZE
- 2 GENERAL PLATING SPECIFICATION: UNDERPLATING (ENTIRE CONTACT): 1,27µm NICKEL MIN.
AND ACTION PIN: 0,5µm TIN-LEAD MIN.
FOR PLATING OF MATING SURFACES SEE APPLICABLE SPECIFICATION REFERENCE FOR EACH DASH NUMBER.
- 3 CONFORMS TO ALL TESTING ACCORDING IEC 61076-4-101 PERFORMANCE LEVEL 2.
- 4 CONFORMS TO ALL TESTING ACCORDING IEC 61076-4-101 PERFORMANCE LEVEL 1.
- 5 CONNECTOR TESTED AND QUALIFIED AGAINST TELCORDIA GR-1217-CORE QUALITY LEVEL III, CENTRAL OFFICE APPLICATIONS.
- 6 CONNECTOR TESTED AND QUALIFIED AGAINST TELCORDIA GR-1217-CORE QUALITY LEVEL III, UNCONTROLLED ENVIRONMENT APPLICATIONS.
- 7 CONNECTOR LUBRICATED WITH TELCORDIA GR-1217-CORE APPROVED LUBRICANT.
- 8 CONNECTOR MARKED WITH PARTNUMBER AND DATECODE
- 9 PLATED-THROUGH HOLES AT 2x2mm SQUARE GRID.
- 10 OBSOLETE PARTS: OBSOLETE CIS STREAMLINING PER D.RENAUD/D.SINISI
- 11 0.76µm MIN GOLD PLATING AT MATING AREA.

OBSOLETE	N	3	352131-0
	Y	6	352131-9
	Y	6	352131-9
	N	4	352131-4
	N	3	352131-1
CONSERVATION TREATMENT	CONTACT FINISH	PARTNUMBER	

THIS DRAWING IS A CONTROLLED DOCUMENT.		DWN	L.v.d.HEIJDEN	15DEC97	TE Connectivity Z-PACK 2MM HM TYPE B22 110 POS. RIGHT ANGLE MALE CONNECTOR ASSEMBLY
DIMENSIONS: mm		CHK	D. TRUREN	15DEC97	
TOLERANCES UNLESS OTHERWISE SPECIFIED:		APVD	F.v.KONINGSBRUGGE	-	
0 PLC ± - 1 PLC ± - 2 PLC ± - 3 PLC ± - 4 PLC ± - ANGLES ± ± FINISH -		PRODUCT SPEC	-	-	
MATERIAL	-	APPLICATION SPEC	114-19029	WEIGHT	-
CUSTOMER DRAWING		SIZE	A2	CAGE CODE	00779
		DRAWING NO	G-352131		RESTRICTED TO
		SCALE	NTS	SHEET	1 of 1
		REV	G2		

Mouser Electronics

Authorized Distributor

Click to View Pricing, Inventory, Delivery & Lifecycle Information:

[TE Connectivity:](#)

[352131-1](#)