

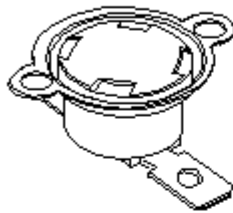


ISO 9002 Certified

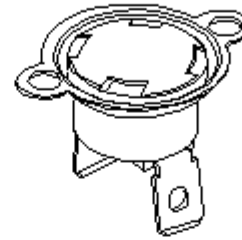
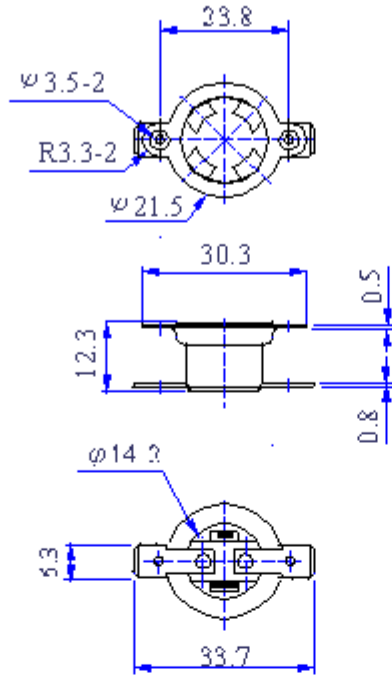
SERIES B-1002A.B

FAX: 886-6-2324223

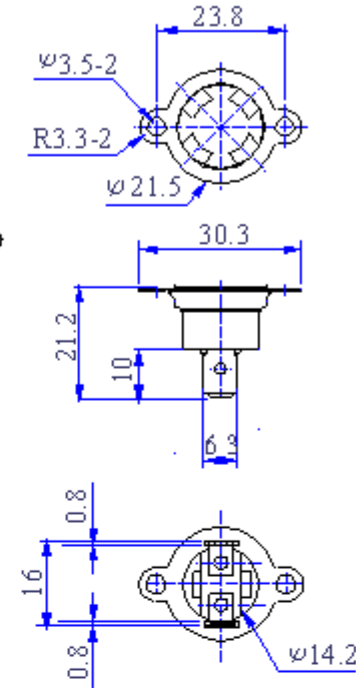
SANG MAO



B-1002A



B-1002B



DIMENSION IN mm

SPECIFICATIONS:

- ☆ TEMPERATURE RANGE: 60 - 160 °C
- ☆ OPERATING TOLERANCE: ±5 °C , ±8 °C , ±10 °C
- ☆ RESET DIFFERENTIAL: 10 °C - 50 °C
- ☆ INPUT POWER: 32VDC / 125VAC / 250VAC.
- ☆ CONTACTS TYPE: NORMALLY CLOSE / NORMALLY OPEN .
- ☆ CONTACTS ENDURANCE: (RESISTIVE LOAD)
 - 32 VDC × 100mA -- 50,000 CYCLES
 - 125 VAC × 10A -- 100,000 CYCLES
 - 125 VAC × 15A -- 30,000 CYCLES

250 VAC × 6A -- 30,000 CYCLES

- ☆ **INTERRUPT CAPACITY: 125 VAC × 60A -- 5 CYCLES .**
- ☆ **OVERSHOOT TEMPERATURE: 200°C / 5 MINUTES .**
- ☆ **DIELECTRIC STRENGTH: 1500 VAC / 1 MINUTE .**
- ☆ **METHOD OF OPERATION : AUTOMATIC INTERRUPTION AND AUTOMATIC RESETTING.**
- ☆ **IEC - 934 METHOD OF TRIPPING : "TO" = THERMAL.**
- ☆ **DEGREE OF TRIP - FREE BEHAVIOUR : " CYCLING TRIP - FREE "**
- ☆ **RESET TYPE: AUTO RESET .**

APPROVALS:

U L APPROVAL: 75°C - 145°C
10A 125VAC 100,000 CYCLES

CSA APPROVAL: 75°C - 145°C
10A 125VAC 100,000 CYCLES

APPLICATIONS: TEMPERATURE CONTROLLER , DISH WASHER
COFFEE MAKER , HOT PLATE

(FILE=12A61129) NO EXTRA NOTIFICATION FOR PRODUCT SCALE CHANGE

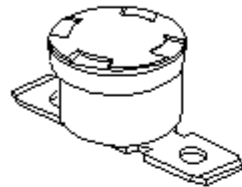


ISO 9002 Certified

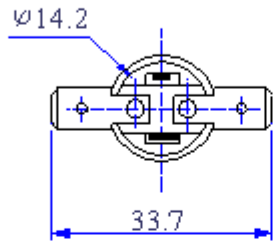
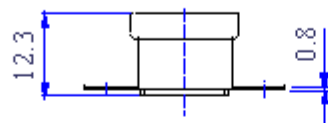
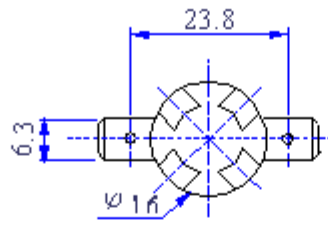
SERIES B-1002M.N

FAX:886-6-2324223

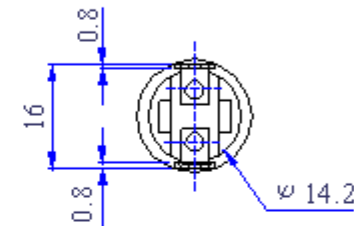
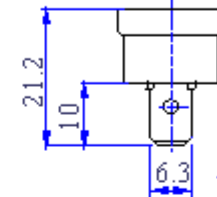
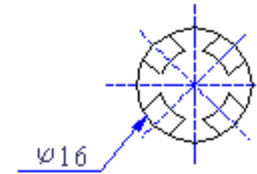
SANG MAO



B-1002M



B-1002N



DIMENSION IN mm

SPECIFICATIONS:

- ☆ TEMPERATURE RANGE: 60 - 160 °C
- ☆ OPERATING TOLERANCE: ±5°C , ±8°C , ±10°C
- ☆ RESET DIFFERENTIAL: 10°C - 50°C
- ☆ INPUT POWER: 32VDC / 125VAC / 250VAC.
- ☆ CONTACTS TYPE: NORMALLY CLOSE / NORMALLY OPEN .
- ☆ CONTACTS ENDURANCE: (RESISTIVE LOAD)
 - 32 VDC × 100mA -- 50,000 CYCLES
 - 125 VAC × 10A -- 100,000 CYCLES
 - 125 VAC × 15A -- 30,000 CYCLES

250 VAC × 6A -- 30,000 CYCLES

- ☆ **INTERRUPT CAPACITY: 125 VAC × 60A -- 5 CYCLES .**
- ☆ **OVERSHOOT TEMPERATURE: 200°C / 5 MINUTES .**
- ☆ **DIELECTRIC STRENGTH: 1500 VAC / 1 MINUTE .**
- ☆ **METHOD OF OPERATION : AUTOMATIC INTERRUPTION AND AUTOMATIC RESETTING.**
- ☆ **IEC - 934 METHOD OF TRIPPING : "TO" = THERMAL.**
- ☆ **DEGREE OF TRIP - FREE BEHAVIOUR : " CYCLING TRIP - FREE "**
- ☆ **RESET TYPE: AUTO RESET .**

APPROVALS:

U L APPROVAL: 75°C - 145°C
10A 125VAC 100,000 CYCLES

CSA APPROVAL: 75°C - 145°C
10A 125VAC 100,000 CYCLES

APPLICATIONS: TEMPERATURE CONTROLLER , DISH WASHER
COFFEE MAKER , HOT PLATE

(FILE#10050129) NO EXTRA NOTIFICATION FOR PRODUCT SCALE CHANGE

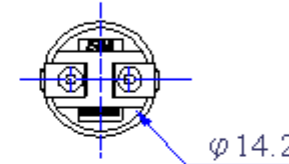
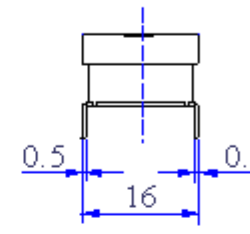
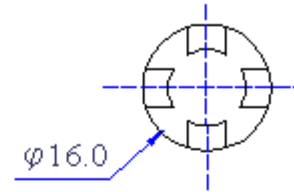
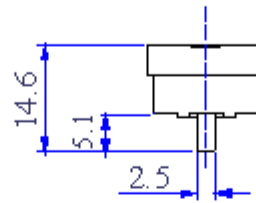
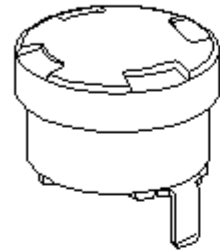


ISO 9002 Certified

SERIES B-1002P

FAX: 886-6-2324223

SANG MAO



DIMENSION IN mm

SPECIFICATIONS:

- ☆ TEMPERATURE RANGE: 60 - 160 °C
- ☆ OPERATING TOLERANCE: ±5°C, ±8°C, ±10°C
- ☆ RESET DIFFERENTIAL: 10°C - 50°C
- ☆ INPUT POWER: 32VDC / 125VAC / 250VAC.
- ☆ CONTACTS TYPE: NORMALLY CLOSE / NORMALLY OPEN .
- ☆ RATED CONDITIONAL SHORT-CIRCUIT CURRENT: IEC - 934
" PC. 1 1000A " WITH " FUSE 16A gL / gG "
- ☆ CONTACTS ENDURANCE: (RESISTIVE LOAD)
32 VDC × 100mA -- 50,000 CYCLES

125 VAC × 10A -- 100,000 CYCLES

125 VAC × 15A -- 30,000 CYCLES

250 VAC × 6A -- 30,000 CYCLES

☆ **INTERRUPT CAPACITY: 125 VAC × 60A -- 5 CYCLES .**

☆ **OVERSHOOT TEMPERATURE: 200°C / 5 MINUTES .**

☆ **DIELECTRIC STRENGTH: 1500 VAC / 1 MINUTE .**

☆ **METHOD OF OPERATION : AUTOMATIC INTERRUPTION
AND AUTOMATIC RESETTING.**

☆ **IEC - 934 METHOD OF TRIPPING : "TO" = THERMAL.**

☆ **DEGREE OF TRIP - FREE BEHAVIOUR : " CYCLING TRIP - FREE "**

☆ **RESET TYPE: AUTO RESET .**

APPLICATIONS:

- * TEMPERATURE CONTROLLER
- * COFFEE MAKER
- * DISH WASHER
- * HOT PLATE

(FILE=12P61129) NO EXTRA NOTIFICATION FOR PRODUCT SCALE CHANGE



ISO 9002 Certified

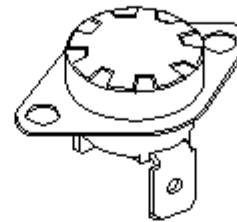
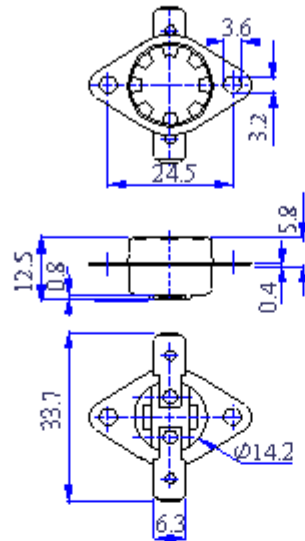
SERIES B-1002T.U

FAX: 886-6-2324223

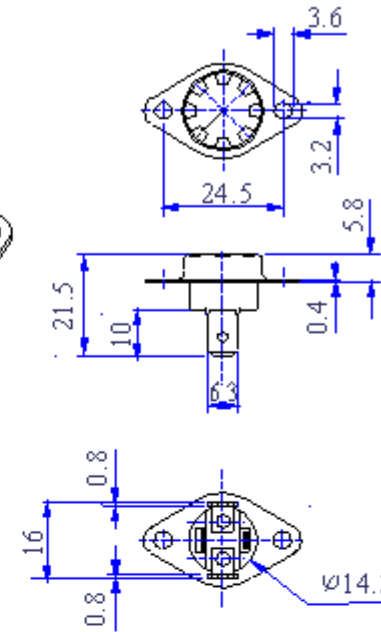
SANG MAO



B-1002T



B-1002U



DIMENSION IN mm

SPECIFICATIONS:

- ☆ TEMPERATURE RANGE: 60 - 160°C
- ☆ OPERATING TOLERANCE: ±5°C, ±8°C, ±10°C
- ☆ RESET DIFFERENTIAL: 10°C - 50°C
- ☆ INPUT POWER: 32VDC / 125VAC / 250VAC.
- ☆ CONTACTS TYPE: NORMALLY CLOSE / NORMALLY OPEN .
- ☆ CONTACTS ENDURANCE: (RESISTIVE LOAD)
 - 32 VDC × 100mA -- 50,000 CYCLES
 - 125 VAC × 10A -- 100,000 CYCLES
 - 125 VAC × 15A -- 30,000 CYCLES
 - 250 VAC × 6A -- 30,000 CYCLES

- ☆ INTERRUPT CAPACITY: 125 VAC × 60A -- 5 CYCLES .
- ☆ OVERSHOOT TEMPERATURE: 200°C / 5 MINUTES .
- ☆ DIELECTRIC STRENGTH: 1500 VAC / 1 MINUTE .
- ☆ METHOD OF OPERATION : AUTOMATIC INTERRUPTION AND AUTOMATIC RESETTING.
- ☆ IEC - 934 METHOD OF TRIPPING : "TO" = THERMAL.
- ☆ DEGREE OF TRIP - FREE BEHAVIOUR : " CYCLING TRIP - FREE "
- ☆ RESET TYPE: AUTO RESET .

APPROVALS:

U L APPROVAL: 75°C - 145°C
10A 125VAC 100,000 CYCLES

CSA APPROVAL: 75°C - 145°C
10A 125VAC 100,000 CYCLES

APPLICATIONS: TEMPERATURE CONTROLLER , DISH WASHER
COFFEE MAKER , HOT PLATE

(FILE=12 T61129) NO EXTRA NOTIFICATION FOR PRODUCT SCALE CHANGE

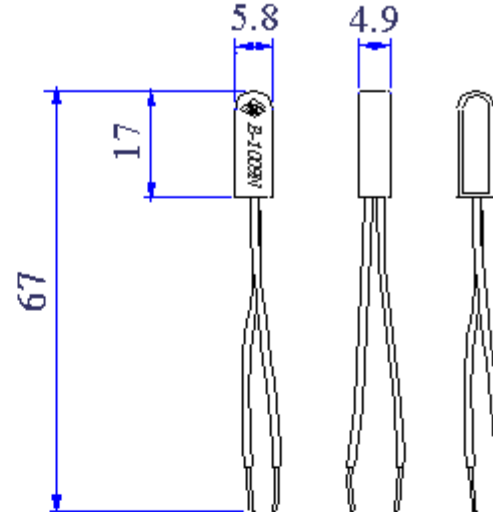
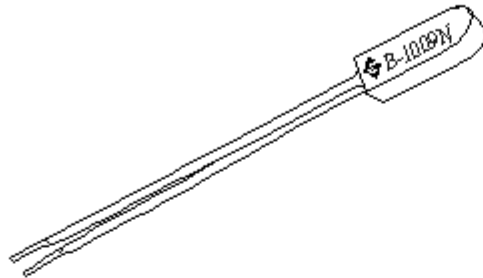


ISO 9002 Certified

SERIES B-1009N

FAX: 886-6-2324223

SANG MAO



DIMENSION IN mm

SPECIFICATIONS:

- ☆ TEMPERATURE RANGE: 45 -100°C
- ☆ OPERATING TOLERANCE: ±5°C
- ☆ RESET DIFFERENTIAL: 10°C - 50°C
- ☆ INPUT POWER: 12/24 VDC / 125/250 VAC
- ☆ CONTACTS TYPE: NORMALLY CLOSE (NNC) / NORMALLY OPEN (NNO).
- ☆ CONTACTS ENDURANCE: (RESISTIVE LOAD)
 - 24 VDC × 100mA -- 50,000 CYCLES
 - 24 VDC × 4A -- 10,000 CYCLES
 - 125 VAC × 4A -- 10,000 CYCLES
 - 250 VAC × 2A -- 10,000 CYCLES
- ☆ INTERRUPT CAPACITY: 125 VAC × 20A -- 5 CYCLES .
- ☆ OVERSHOOT TEMPERATURE: 180°C / 3 MINUTES .
- ☆ DIELECTRIC STRENGTH: 1500 VAC / 1 MINUTE .

- ☆ LEAD WIRE: AWG # 22 × 50 mm
- ☆ HOUSING MATERIAL: POLYAMIDE
- ☆ FEATURES: WATERPROOF
SMALL SIZE
SHORT CURRENT FAST ACTION
- ☆ METHOD OF OPERATION : AUTOMATIC INTERRUPTION
AND AUTOMATIC RESETTING.
- ☆ IEC - 934 METHOD OF TRIPPING : "TO" = THERMAL.
- ☆ DEGREE OF TRIP - FREE BEHAVIOUR : " CYCLING TRIP - FREE "
- ☆ RESET TYPE: AUTO RESET .

APPLICATIONS:

- * RECHARGE BATTERY UNIT
- * MOTOR WINDING
- * POWER ADATPOR

(FILE=19N61129) NO EXTRA NOTIFICATION FOR PRODUCT SCALE CHANGE

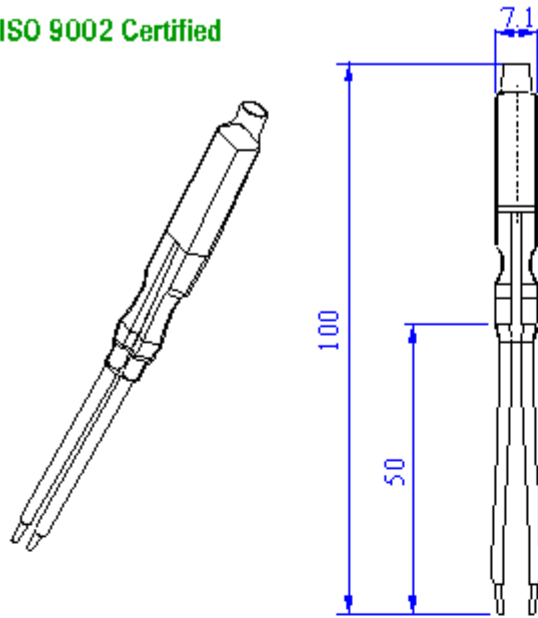


ISO 9002 Certified

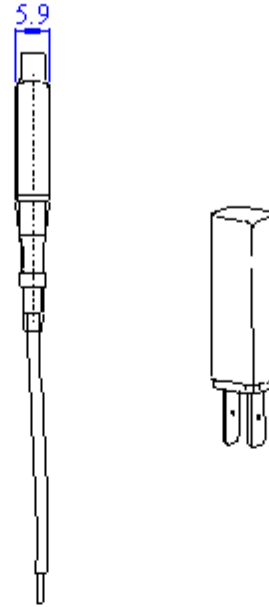
SERIES B-1009

FAX: 886-6-2324223

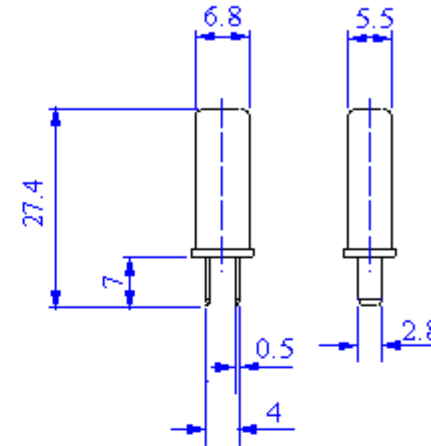
SANG MAO



W/ LEADS & SLEEVE



DIMENSION IN mm



W/O LEADS & SLEEVE

SPECIFICATIONS:

SNAP action	CREEP action
 ON-OFF Cycling ≥ 10 Second	 ON-OFF Cycling ≤ 5 Second
1009 <input checked="" type="checkbox"/> = Normal Close 1009 <input checked="" type="checkbox"/> = Normal Open	1009 <input checked="" type="checkbox"/> = Normal Close 1009 <input checked="" type="checkbox"/> = Normal Open
Fix Temperature = 40, 45, 50, 55, 60, 65, 70, 75, 80 145 °C.	
Tolerance = +/- 5°C	

Reset Differential = 10 ~ 50 °C		Reset Differential = 0.5 ~ 10 °C	
Input Power = 12/24 VDC , 125/250 VAC			
Contact Endurance Cycles (Resistive Load)			
12/24 VDC x 1A = 50,000	125 VAC x 1A = 50,000	250 VAC x 1A = 30,000	
12/24 VDC x 3A = 30,000	125 VAC x 3A = 30,000	250 VAC x 3A = 10,000	
12/24 VDC x 5A = 10,000	125 VAC x 5A = 10,000	250 VAC x 5A = 5,000	
Interrupt Capacity = 125 VAC x 30A 5 cycles.			
Overshoot Temperature = 200 °C / 3 minutes.			
Dielectric Strength = 1500VAC / 1 minutes. (With Isolated Sleeve)			
Standard Lead Wire = AWG #20 x 50 mm .			
IEC-934 Method Of Tripping : " TO " = Thermal .			
Degree Of Trip - Free Behavior = " Cycling Trip - Free " .			
Reset Type = Auto Reset .			

ORDER IDENTIFY:

1 0 0 9 C 1 0 5 0 5 0

Type	Operating	Lead Wire
X, Y	Temperature	Length
C, D	= °C	= mm

APPLICATIONS : * MOTOR WINDING * BATTERY CHARGER
 * TRANSFORMER * HEATING BLANKET

NO EXTRA NOTIFICATION FOR PRODUCT SCALE CHANGE