

Customer Information Sheet

DRAWING No.: M80-945XX02

IF IN DOUBT - ASK

©

NOT TO SCALE

THIRD ANGLE PROJECTION

ALL DIMENSIONS IN mm

SPECIFICATIONS:

MATERIAL:
 BACKSHELL = ALUMINIUM ALLOY
 JACKSCREW & CIRCLIP = STAINLESS STEEL

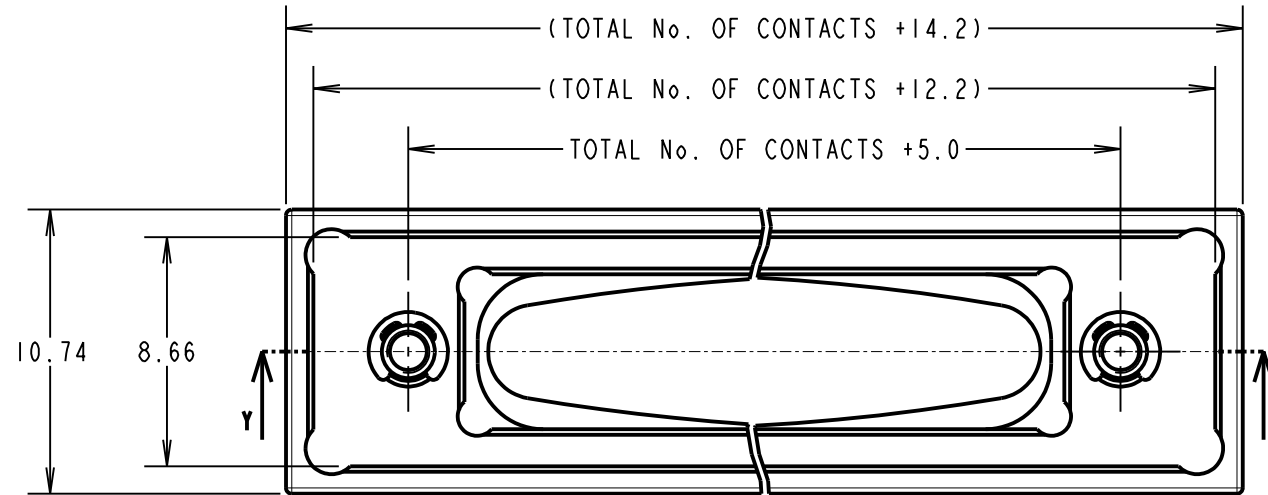
FINISH:
 BACKSHELL = ELECTROLESS NICKEL

ENVIRONMENTAL:
 TEMPERATURE RANGE = -55°C TO +125°C

PACKING:
 SEE NOTES

NOTES:

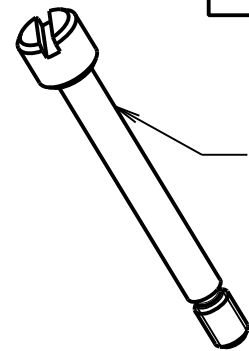
- BACKSHELL IS SUPPLIED AS A KIT OF PARTS IN A BAG. BAGS WILL BE BULK PACKED INTO BOXES. NOT ASSEMBLED AS SHOWN.
- SEE INSTRUCTION SHEET IS-42 FOR ASSEMBLY DETAILS.
- TO APPLY CIRCLIPS USE HARWIN TOOL = Z80-300.
- BAND-IT TIE SOLD SEPERATELY, SEE PART NUMBERS M80-9470000 AND M80-9480000 FOR DETAILS.



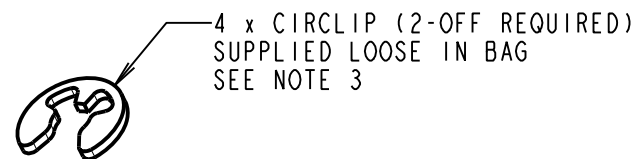
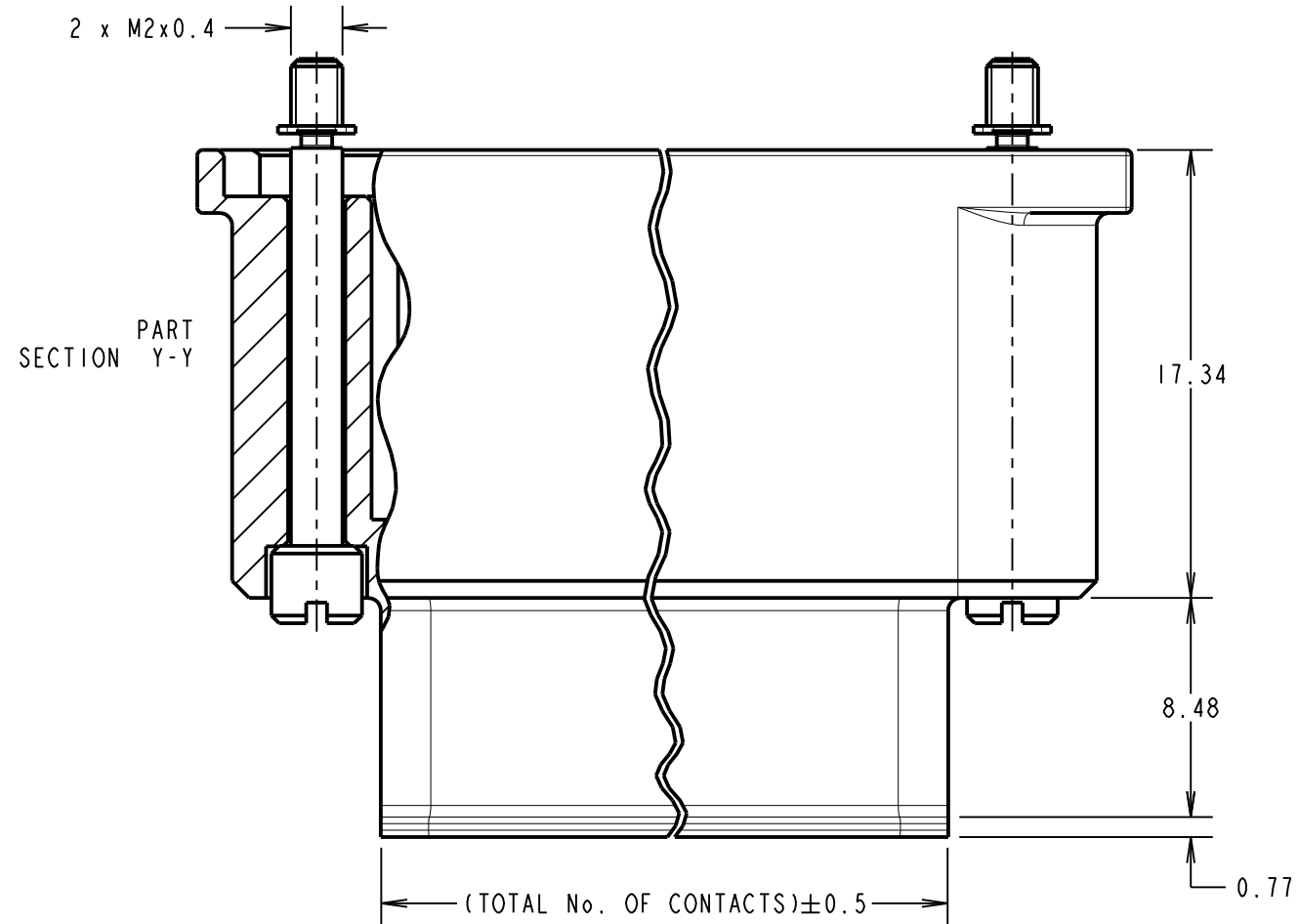
ORDER CODE:
M80-945XX02

TOTAL No. OF
 2mm PITCH CONTACTS

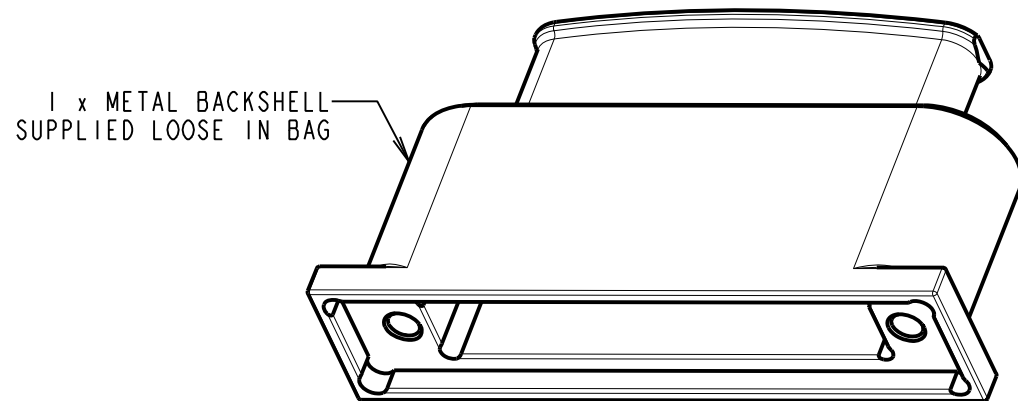
04 - 50
 (EVEN NUMBERS ONLY)



2 x M2 SLOTTED JACKSCREWS
 SUPPLIED LOOSE IN BAG



4 x CIRCLIP (2-OFF REQUIRED)
 SUPPLIED LOOSE IN BAG
 SEE NOTE 3



1 x METAL BACKSHELL
 SUPPLIED LOOSE IN BAG

EXAMPLE ORDER CODE: CONNECTOR WITH
 6 x SPECIAL CONTACTS IS EQUAL TO
 24 x SIGNAL CONTACTS

M80-9452402

RA	8	11.08.21	30661
NAME	ISS.	DATE	CN/CO
APPROVED: R.ALEXANDER			
CHECKED: R.POTLOCK			
DRAWN: M.PERREN			
CUSTOMER REF.:			
ASSEMBLY DRG:			

HARWIN

www.harwin.com
 technical@harwin.com

THIS DRAWING AND ANY INFORMATION OR DESCRIPTIVE MATTER SET OUT HEREON ARE CONFIDENTIAL AND COPYRIGHT PROPERTY OF THE HARWIN GROUP AND MUST NOT BE DISCLOSED, LOANED, COPIED OR USED FOR MANUFACTURING, TENDERING OR FOR ANY OTHER PURPOSE WITHOUT THEIR WRITTEN PERMISSION.

TOLERANCES

X. = ±1mm
 X.X = ±0.50mm
 X.XX = ±0.20mm
 X.XXX = ±0.01mm

ANGLES = ±5°
 UNLESS STATED

MATERIAL:
 SEE ABOVE

FINISH: SEE ABOVE

S/AREA: mm²

TITLE: DATAMATE FEMALE ASSEMBLY BACKSHELL KIT

DRAWING NUMBER: M80-945XX02

SHT 2 OF 2

Mouser Electronics

Authorized Distributor

Click to View Pricing, Inventory, Delivery & Lifecycle Information:

[Harwin:](#)

[M80-9452002](#) [M80-9452202](#) [M80-9452402](#) [M80-9452602](#) [M80-9452802](#) [M80-9453202](#) [M80-9450802](#) [M80-9451002](#) [M80-9451202](#) [M80-9451402](#) [M80-9451602](#) [M80-9451802](#) [M80-9450602](#) [M80-9453402](#) [M80-9450402](#)
[M80-9454202](#)