

Data Sheet

**HSMW-C120, HSMW-C130, HSMW-C191,
HSMW-C197, HSMW-C265**



Description

These white ChipLEDs come in unique shades of white and provide product differentiation for backlighting application. They are designed in industry standard package for ease of handling and use.

These chipLEDs come in either a side emitting package (HSMW-C120) or in top emitting packages (HSMW-C130, C191, C197 and C265).

The packages all compatible with IR reflow soldering process and come in 8 mm tape on 7" diameter reel. They are compatible with automatic placement equipment.

In order to facilitate pick and place operation, these chipLEDs are shipped in tape and reel with 4000 units per reel for HSMW-C120, C130, C191 and C197 packages, and 3000 units per reel for HSMW-C265 package.

Features

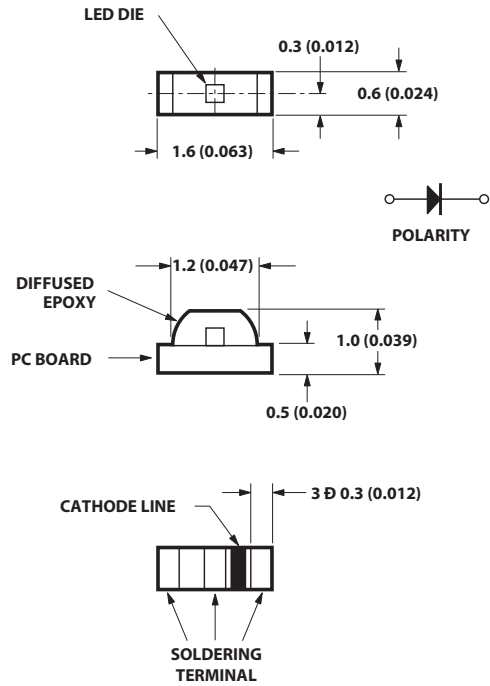
- White color
- Small size
- Industry standard footprint
- Compatible with reflow soldering
- Compatible with automatic placement equipment
- Operating temperature range -30°C to $+85^{\circ}\text{C}$
- Come in 8 mm tape on 7" diameter reels

Applications

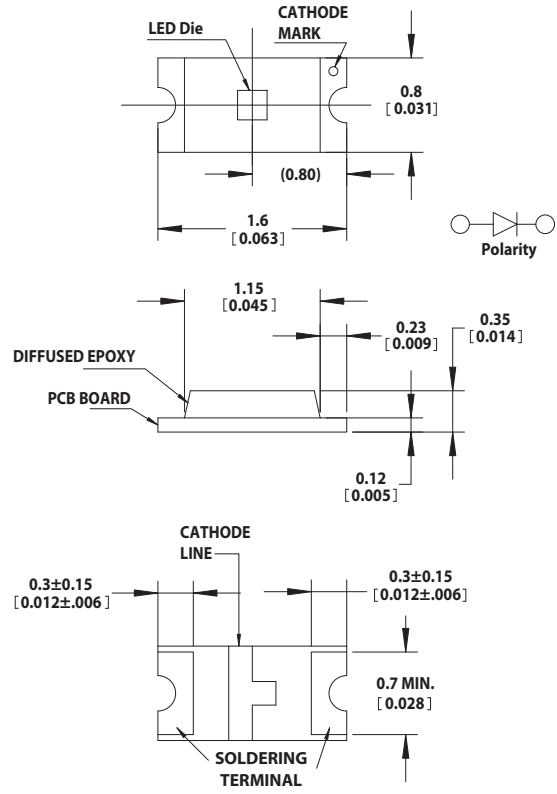
- LCD backlighting
- Keypad backlighting
- Pushbutton backlighting
- Symbol backlighting

CAUTION: HSMW-Cxxx LEDs are Class 1A ESD sensitive per JESD22-A114C.01. Please observe appropriate precautions during handling and processing. Refer to Avago Technologies Application Note AN-1142 for additional details.

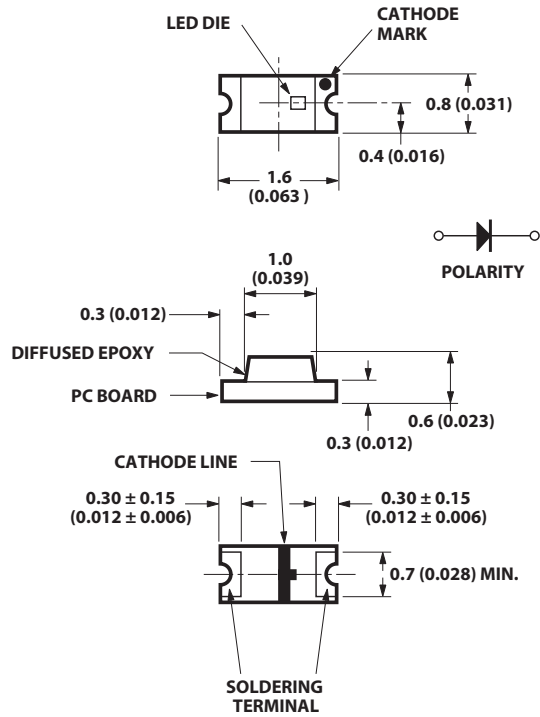
Package Dimensions



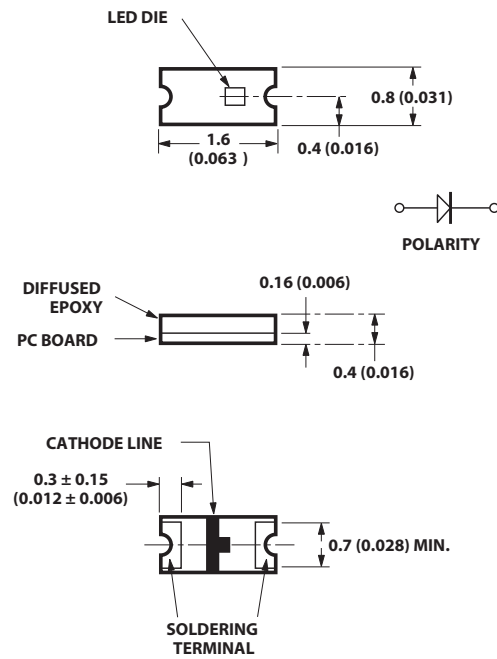
HSMW-C120



HSMW-C130



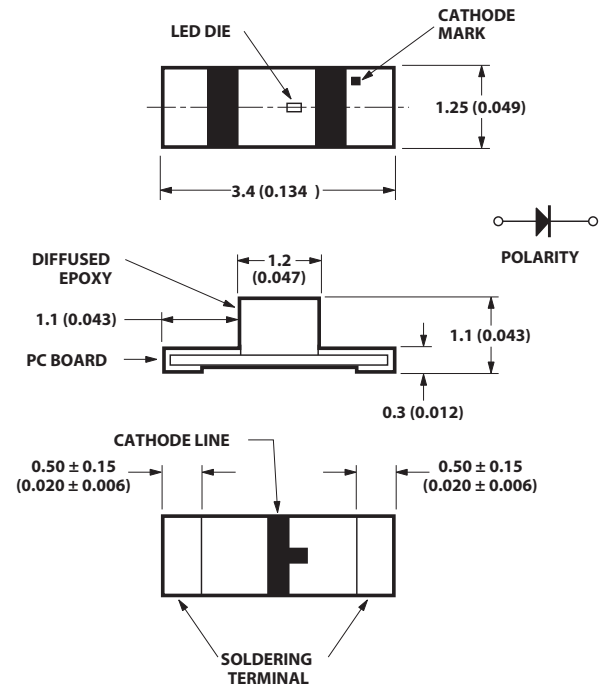
HSMW-C191



HSMW-C197

- NOTES:
1. DIMENSIONS ARE IN MILLIMETERS (INCHES).
 2. TOLERANCE ± 0.1 mm UNLESS OTHERWISE NOTED.

Package Dimensions, continued



HSMW-C265

NOTES:

1. DIMENSIONS ARE IN MILLIMETERS (INCHES).
2. TOLERANCE ± 0.1 mm UNLESS OTHERWISE NOTED.

Device Selection Guide

Package Dimension (mm)	White	Package Description
1.6 (L) x 0.6 (W) x 1.0 (H)	HSMW-C120	Untinted, Diffused
1.6 (L) x 0.8 (W) x 0.35 (H)	HSMW-C130	Untinted, Diffused
1.6 (L) x 0.8 (W) x 0.6 (H)	HSMW-C191	Untinted, Diffused
1.6 (L) x 0.8 (W) x 0.4 (H)	HSMW-C197	Untinted, Diffused
3.4 (L) x 1.25 (W) x 1.1 (H) ^[2]	HSMW-C265	Untinted, Diffused

Notes:

1. Right angle package.
2. Reverse mount package.

Absolute Maximum Ratings at $T_A = 25^\circ\text{C}$

Parameter	HSMW-Cxxx	Units
DC Forward Current ^[1]	20	mA
Power Dissipation	78	mW
Reverse Voltage ($I_R = 100\ \mu\text{A}$)	5	V
LED Junction Temperature	95	$^\circ\text{C}$
Operating Temperature Range	-30 to +85	$^\circ\text{C}$
Storage Temperature Range	-40 to +85	$^\circ\text{C}$
Soldering Temperature	See reflow soldering profile (Figures 10 & 11)	

Note:

1. Derate linearly as shown in Figure 4.

Electrical Characteristics at $T_A = 25^\circ\text{C}$

Part Number	Forward Voltage V_F (Volts) @ $I_F = 20\ \text{mA}$ ^[1]		Reverse Breakdown V_R (Volts) @ $I_R = 100\ \mu\text{A}$	Capacitance C (pF), $V_F = 0$, $f = 1\ \text{MHz}$	Thermal Resistance $R_{\theta\text{J-PIN}}$ ($^\circ\text{C}/\text{W}$)
	Typ.	Max.	Min.	Typ.	Typ.
HSMW-Cxxx	3.6	3.9	5	55	450

Note:

1. V_F tolerance: $\pm 0.1\ \text{V}$.

Optical Characteristics at $T_A = 25^\circ\text{C}$

Part Number	Luminous Intensity I_v (mcd) @ $20\ \text{mA}$ ^[1, 4]		Chromaticity Coordinates ^[2]		Luminous Viewing Angle $2\ \theta_{1/2}$ Degrees ^[3]	Efficacy η_v (lm/w)
	Min.	Typ.	x	y	Typ.	Typ.
HSMW-C120	45	160	0.29	0.27	155	240
HSMW-C130	45	150	0.29	0.27	145	240
HSMW-C191	71.5	200	0.29	0.27	140	240
HSMW-C197	45	160	0.29	0.27	130	240
HSMW-C265	71.5	180	0.29	0.27	150	240

Notes:

1. The luminous intensity, I_v , is measured at the peak of the spatial radiation pattern which may not be aligned with the mechanical axis of the lamp package.
2. The dominant wavelength, λ_d , is derived from the CIE Chromaticity Diagram and represents the perceived color of the device.
3. $\theta_{1/2}$ is the off-axis angle where the luminous intensity is 1/2 the peak intensity.
4. Luminous intensity (I_v) tolerance: $\pm 15\%$.

Light Intensity (Iv) Bin Limits^[1]

Bin ID	Intensity (mcd)	
	Min.	Max.
A	0.11	0.18
B	0.18	0.29
C	0.29	0.45
D	0.45	0.72
E	0.72	1.10
F	1.10	1.80
G	1.80	2.80
H	2.80	4.50
J	4.50	7.20
K	7.20	11.20
L	11.20	18.00
M	18.00	28.50
N	28.50	45.00
P	45.00	71.50
Q	71.50	112.50
R	112.50	180.00
S	180.00	285.00
T	285.00	450.00
U	450.00	715.00
V	715.00	1125.00
W	1125.00	1800.00
X	1800.00	2850.00
Y	2850.00	4500.00

Tolerance: ± 15%

Note:

- Bin categories are established for classification of products. Products may not be available in all categories. Please contact your Avago representative for information on currently available bins.

Bin	Limits (Chromaticity Coordinate)		
	x	y	
A1	0.270	0.246	
	0.270	0.278	
	0.250	0.250	
	0.250	0.218	
A2	0.270	0.246	
	0.270	0.213	
	0.250	0.185	
	0.250	0.218	
B1	0.270	0.246	
	0.270	0.278	
	0.290	0.306	
	0.290	0.274	
B2	0.270	0.246	
	0.270	0.213	
	0.290	0.241	
	0.290	0.274	
C1	0.290	0.306	
	0.310	0.336	
	0.310	0.303	
	0.290	0.274	
C2	0.290	0.241	
	0.310	0.271	
	0.310	0.303	
	0.290	0.274	
D1	0.310	0.303	
	0.310	0.336	
	0.330	0.365	
	0.330	0.333	
	D2	0.310	0.303
		0.310	0.271
0.330		0.300	
0.330		0.333	

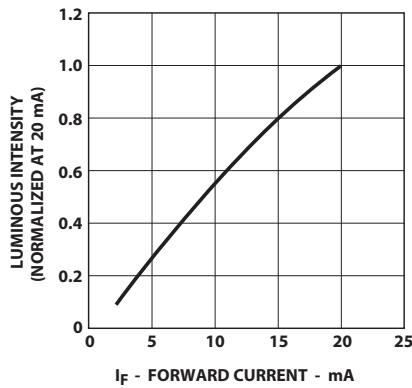


Figure 1. Color bin limits (CIE 1931 Chromaticity Diagram) [Tolerance: ± 0.02].

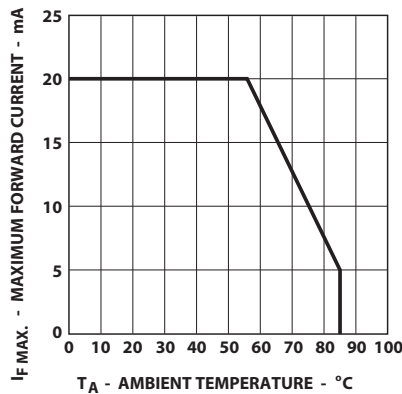


Figure 2. Forward current vs. forward voltage.

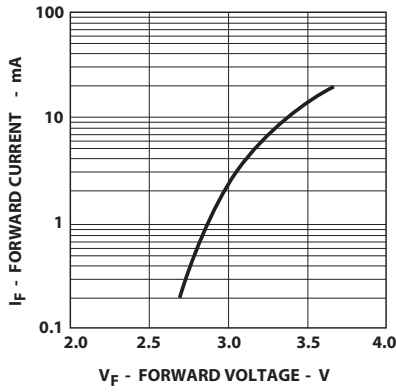
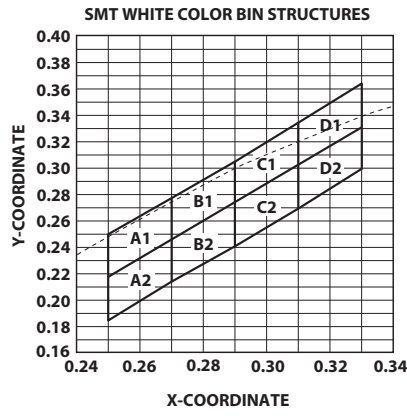


Figure 3. Luminous intensity vs. forward current.

Figure 4. Maximum forward current vs. ambient temperature.

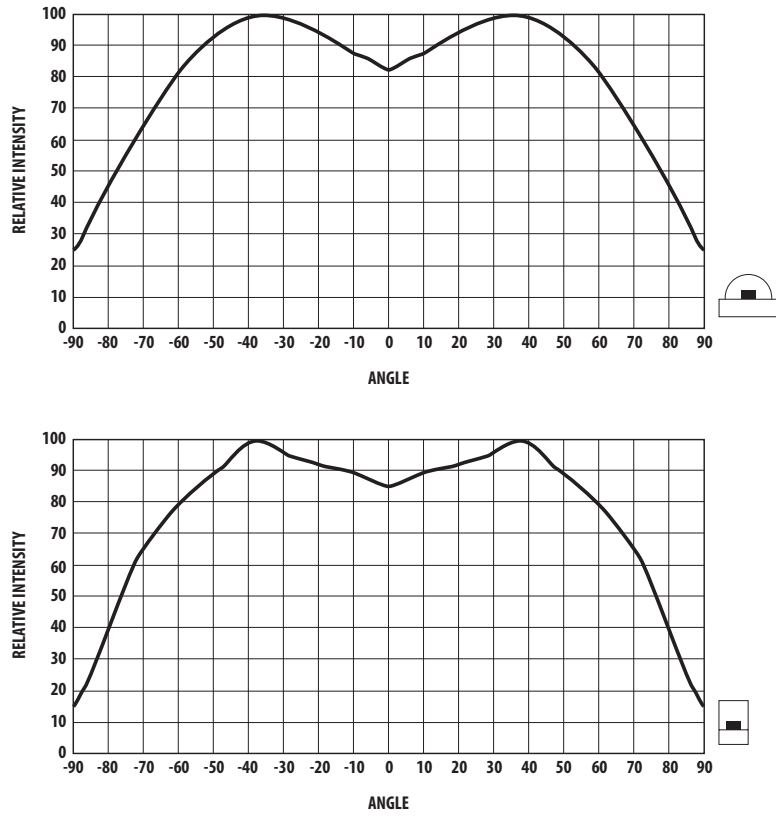


Figure 5. Relative intensity vs. angle for HSMW-C120.

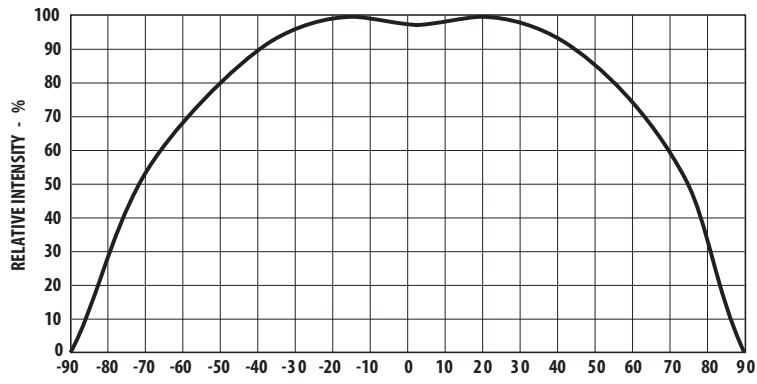


Figure 6. Relative intensity vs. angle for HSMW-C130.

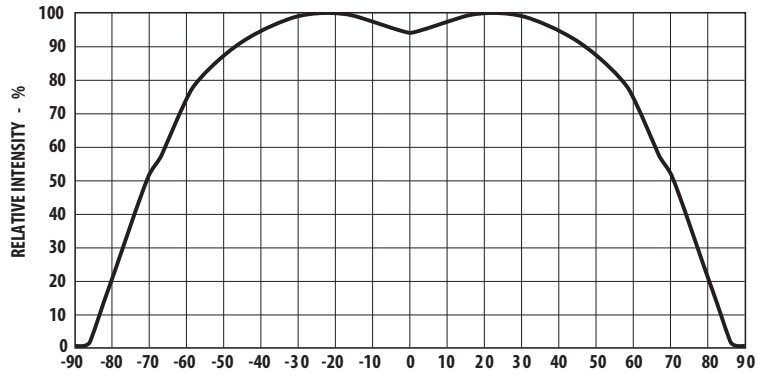


Figure 7. Relative intensity vs. angle for HSMW-C191.

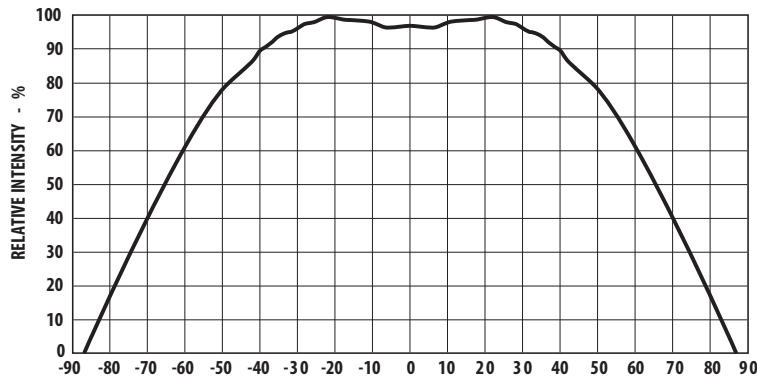


Figure 8. Relative intensity vs. angle for HSMW-C197.

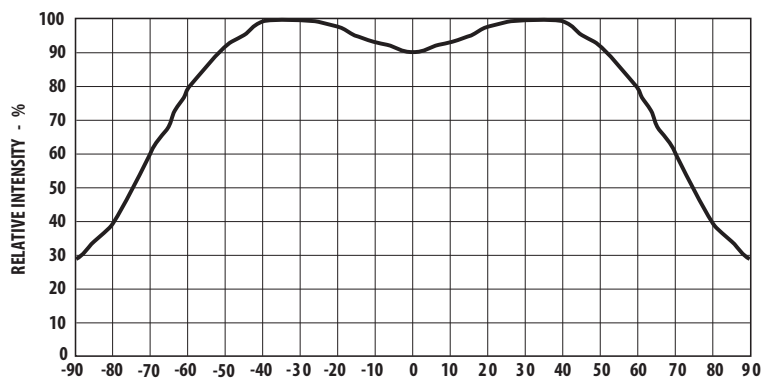


Figure 9. Relative intensity vs. angle for HSMW-C265.

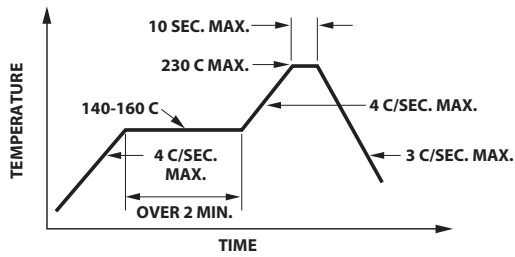


Figure 10. Recommended reflow soldering profile.

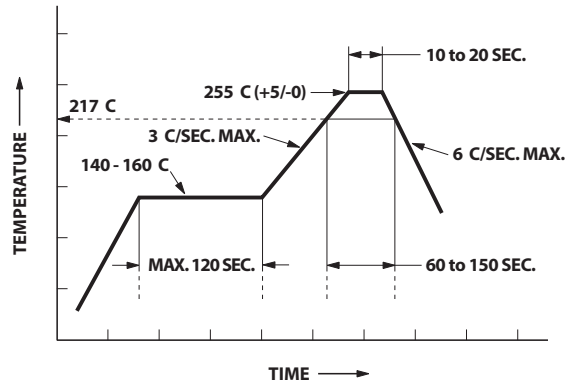


Figure 11. Recommended Pb-free reflow soldering profile.

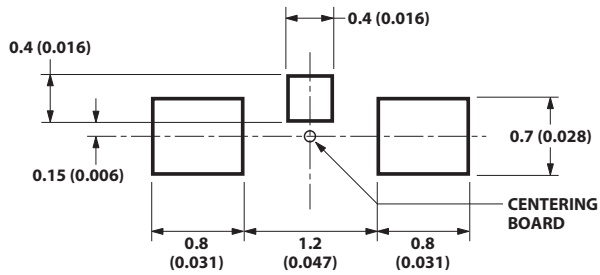


Figure 12. Recommended soldering pad pattern for HSMW-C120.

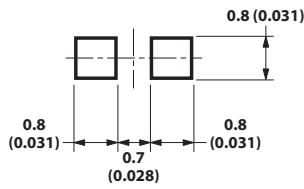


Figure 13. Recommended soldering pattern for HSMW-C130, HSMW-C191, and HSMW-C197.

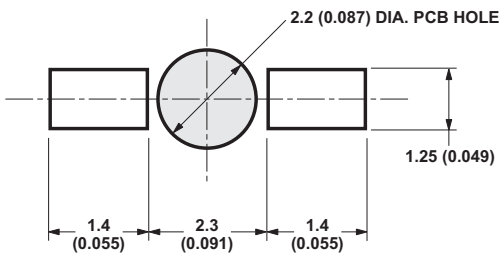


Figure 14. Recommended soldering pad pattern for HSMW-C265.

NOTE:

1. DIMENSIONS ARE IN MILLIMETERS (INCHES).

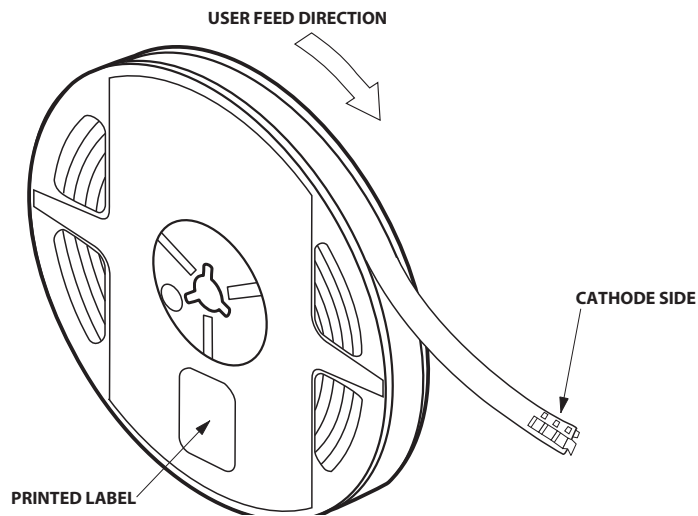


Figure 15. Reeling orientation.

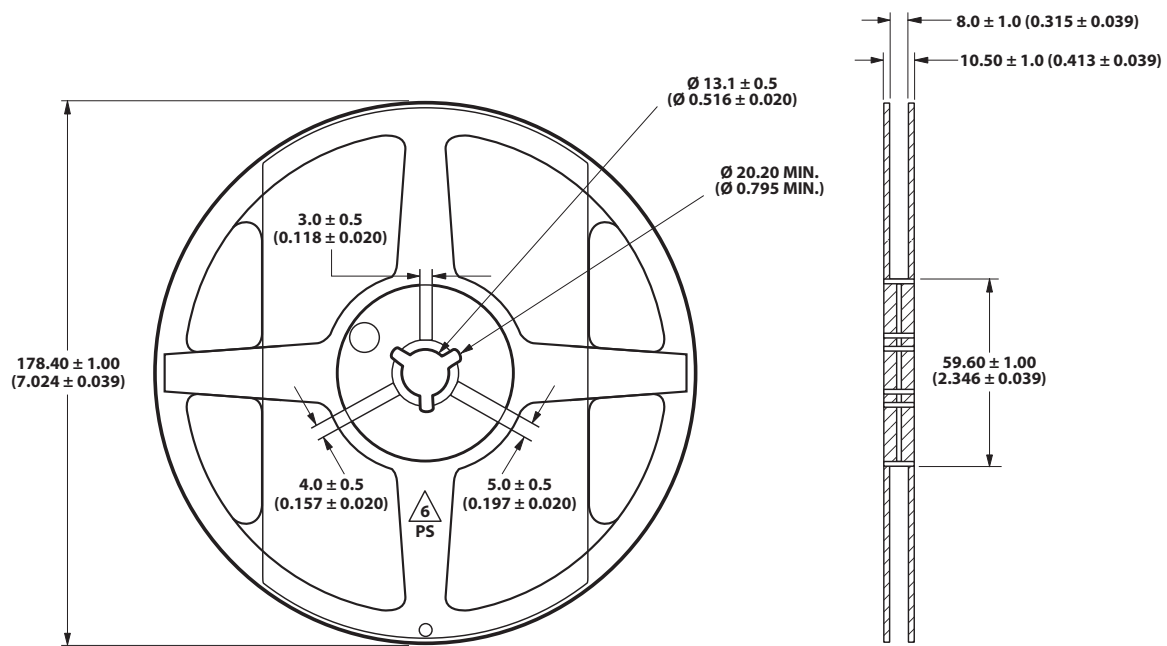


Figure 16. Reel dimensions.

NOTE:

1. DIMENSIONS ARE IN MILLIMETERS (INCHES).

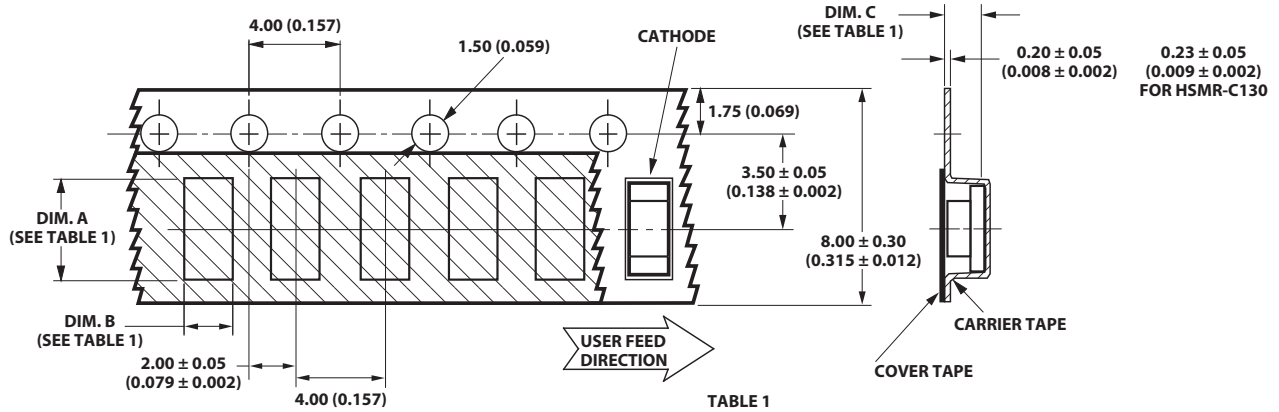


TABLE 1
DIMENSIONS IN MILLIMETERS (INCHES)

PART NUMBER	DIM. A ± 0.10 (0.004)	DIM. B ± 0.10 (0.004)	DIM. C ± 0.10 (0.004)
HSMx-C120 SERIES	1.90 (0.075)	1.15 (0.045)	0.80 (0.031)
HSMx-C130 SERIES	1.75 (0.069)	0.88 (0.035)	0.50 (0.020)
HSMx-C191 SERIES	1.85 (0.073)	0.88 (0.035)	0.88 (0.035)
HSMx-C197 SERIES	1.75 (0.069)	0.95 (0.037)	0.60 (0.024)

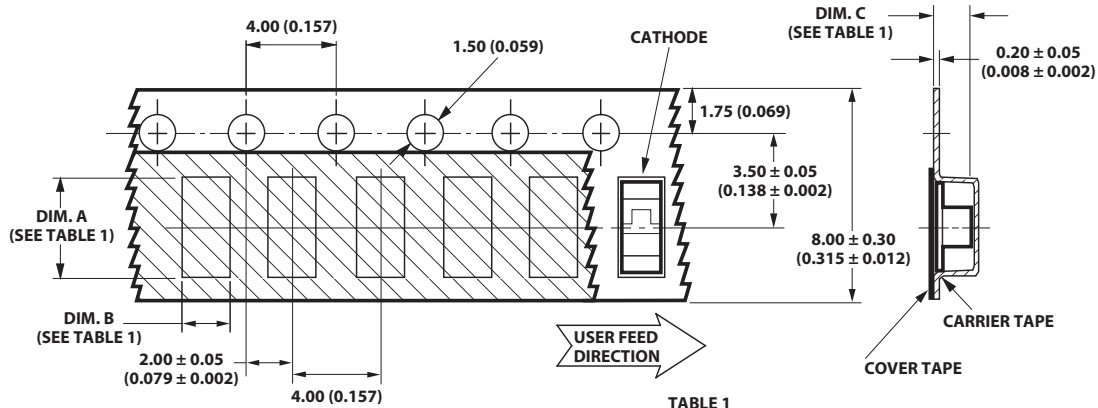
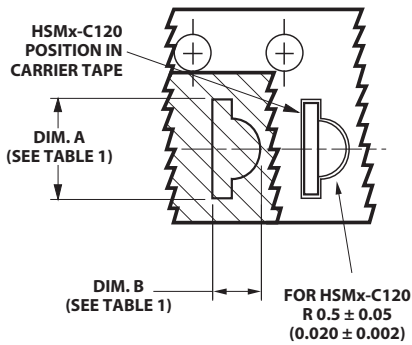


TABLE 1
DIMENSIONS IN MILLIMETERS (INCHES)

PART NUMBER	DIM. A ± 0.10 (0.004)	DIM. B ± 0.10 (0.004)	DIM. C ± 0.10 (0.004)
HSMx-C265 SERIES	3.70 (0.146)	1.45 (0.057)	1.30 (0.051)

Figure 17. Tape dimensions.

NOTE:
1. DIMENSIONS ARE IN MILLIMETERS (INCHES).

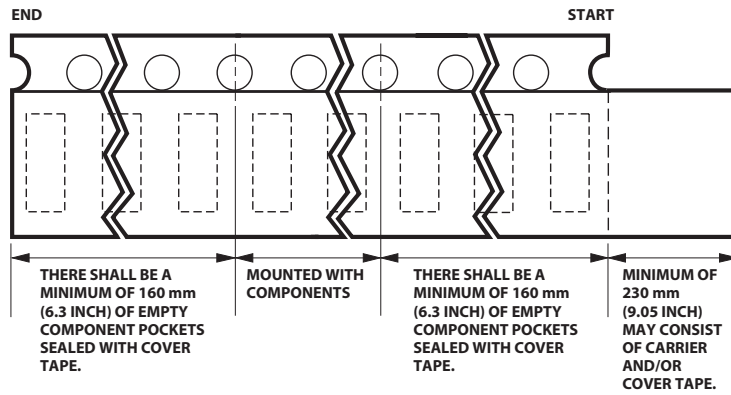


Figure 18. Tape leader and trailer dimensions.

Convective IR Reflow Soldering

For more information on IR reflow soldering, refer to Application Note 1060, *Surface Mounting SMT LED Indicator Components*.

Storage Condition:

5 to 30°C @ 60% RH max.

Baking is required under the condition:

1. Humidity Indicator Card is > 10% when read at 23±5°C.
2. Device expose to factory conditions < 30°C/60% RH more than 672 hours.

Baking recommended condition: 60 ± 5°C for 20 hours.

For product information and a complete list of distributors, please go to our website: www.avagotech.com

Avago, Avago Technologies, and the A logo are trademarks of Avago Technologies in the United States and other countries. Data subject to change. Copyright © 2005-2009 Avago Technologies. All rights reserved. Obsoletes AV01-0685EN AV02-0186EN - December 10, 2009

AVAGO
TECHNOLOGIES