



## 233-105 Crimp contact series with accessory threads

How To Order - 233-105							
<b>Sample Part Number</b>	<b>233-105</b>	<b>-20</b>	<b>NF</b>	<b>17-8</b>	<b>P</b>	<b>N</b>	<b>-LC</b>
<b>Series / Basic Part No.</b>	MIL-DTL-38999 Series III Environmental Connector						
<b>Connector Style</b>	<b>20</b> = Wall mount receptacle <b>24</b> = Jam nut receptacle <b>26</b> = Plug						
<b>Material and Finish</b>	See Table I						
<b>Shell Size-Insert Arrangement</b>	Per MIL-STD-1560						
<b>Contact Type</b>	<b>P</b> = Pin, 500 cycles <b>A</b> = Pin insert, less standard contacts			<b>S</b> = Socket, 500 cycles <b>B</b> = Socket insert, less standard contacts			
<b>Alternate Polarization</b>	<b>A, B, C, D, E, N</b> = Normal						
<b>Mod Code for Less Contacts</b>	Connector marked with <b>P</b> or <b>S</b> according to insert but supplied less contacts						

Table I: Material and Finish				
38999	233-105	Material	Finish Description	RoHS
F	ME	Aluminum	Electroless nickel (48 hr. salt spray)	☑
G	MA		Space-grade electroless nickel, matte (48 hr. salt spray)	☑
T	MT		Ni-PTFE	☑
W	NF		Cadmium O.D. over electroless nickel (500 hr. salt spray)	☒
Z*	ZR		Black zinc-nickel over electroless nickel	☑
*qualification pending				

Connector Mating and Accessory Thread Dimensions			
Shell Size Code	Shell Size	A Thread	J Thread
A	9	.6250-.1P-.3L-TS-2A	M12 X 1.0-6g 0.100R
B	11	.7500-.1P-.3L-TS-2A	M15 X 1.0-6g 0.100R
C	13	.8750-.1P-.3L-TS-2A	M18 X 1.0-6g 0.100R
D	15	1.0000-.1P-.3L-TS-2A	M22 X 1.0-6g 0.100R
E	17	1.1875-.1P-.3L-TS-2A	M25 X 1.0-6g 0.100R
F	19	1.2500-.1P-.3L-TS-2A	M28 X 1.0-6g 0.100R
G	21	1.3750-.1P-.3L-TS-2A	M31 X 1.0-6g 0.100R
H	23	1.5000-.1P-.3L-TS-2A	M34 X 1.0-6g 0.100R
J	25	1.6250-.1P-.3L-TS-2A	M37 X 1.0-6g 0.100R

Wire Accommodation	
Contact Size	Wire Gauge
23	#22 - #28
22D	#22 - #28
20	#20 - #24
16	#16 - #20
12	#12 - #14

### NOTES

- 233-105 is designed to meet or exceed the mechanical, electrical, environmental and dimensional requirements of D38999/20, /24 & /26.
- Insert arrangements IAW MIL-STD-1560, Glenair HD and size #8 shielded contact insert arrangements available only in COTS series
- Blue color band indicates rear release retention system.
- Connector is supplied with contacts (including spares), insertion/removal tool and sealing plugs.
- Dimensions in inches (millimeters) are subject to change without notice
- Consult factory for additional information

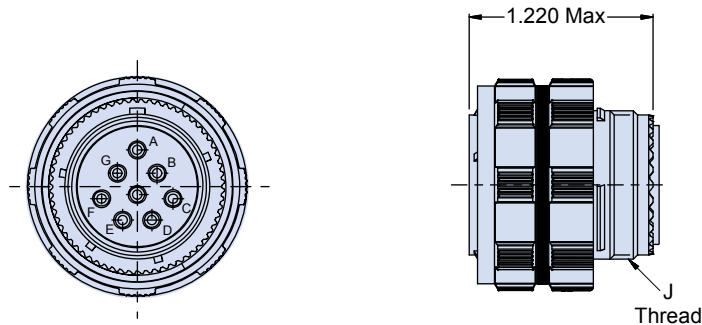
# MIL-DTL-38999 Series III Environmental connectors

## D38999/20, /24, /26 Crimp contact series

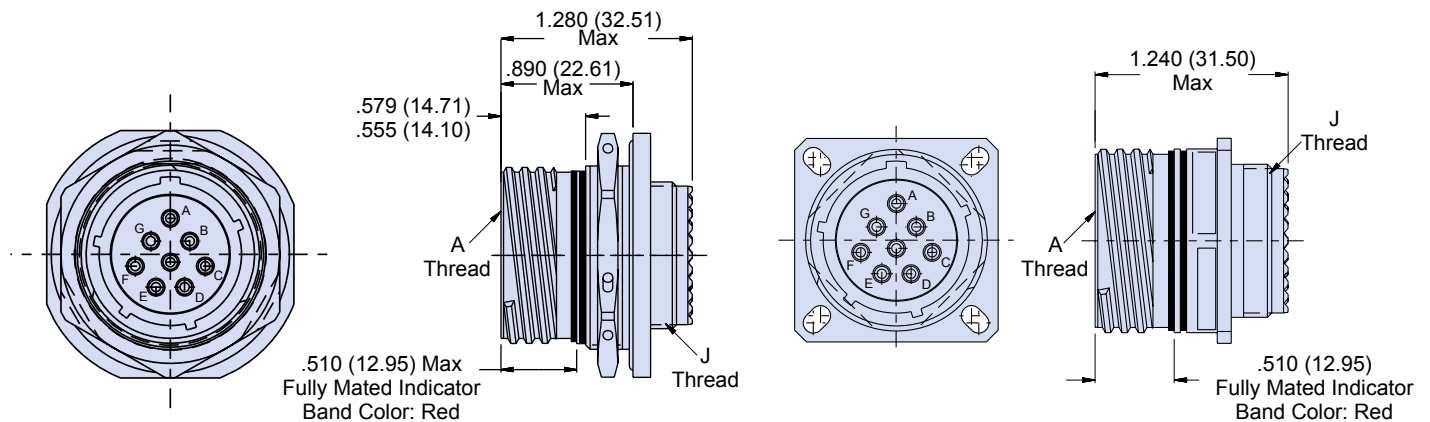


How To Order - Mil-Spec							
Sample Part Number	D38999/	20	W	A	35	P	N
Series / Basic Part No.	MIL-DTL-38999 Series III Environmental Connector						
Connector Style	20 = Wall mount receptacle 24 = Jam nut receptacle 26 = Plug						
Class (Material and Finish)	See Table I						
Shell Size Code	A, B, C, D, E, F, G, H and J (per MIL-STD-1560)						
Insert Pattern	See pages 4–9 (per MIL-STD-1560)						
Contact Type	P = Pin, 500 cycles A = Pin insert, less standard contacts			S = Socket, 500 cycles B = Socket insert, less standard contacts			
Alternate Polarization	A, B, C, D, E, N = Normal						

### PLUG WITH ACCESSORY THREADS



### JAM NUT RECEPTACLE AND WALL MOUNT RECEPTACLE



# Mouser Electronics

Authorized Distributor

Click to View Pricing, Inventory, Delivery & Lifecycle Information:

## Glenair:

[D38999/26FJ37PN](#) [D38999/20FF45AB](#) [D38999/20GJ29BA](#) [D38999/20GB99SA](#) [D38999/26WE26AB](#)  
[D38999/26FH99AB](#) [D38999/24WG11PA](#) [D38999/24GH55PD](#) [D38999/20GG11PB-LC](#) [D38999/20WG24SA-LC](#)  
[D38999/26GJ4PN-LC](#) [D38999/26WD97PB](#) [D38999/26FH99SA](#) [D38999/24WG11SN-LC](#) [D38999/24FD97BD](#)  
[D38999/20FC4BE](#) [D38999/26GJ4AA](#) [D38999/26GC8PB-LC](#) [D38999/24WC4SN-LC](#) [D38999/20FH99BD](#)  
[D38999/26GD19PC-LC](#) [D38999/26GC98AC](#) [D38999/24WC8PN](#) [D38999/20GC35BN](#) [D38999/26GG24PD-LC](#)  
[D38999/20GF45SC](#) [D38999/26GJ29PE-LC](#) [D38999/24WB98PE](#) [D38999/20WG39SB-LC](#) [D38999/26GG39PE-LC](#)  
[D38999/26FJ35SB](#) [D38999/20GF28SB](#) [D38999/20FB5BC](#) [D38999/24GF32PC](#) [D38999/20GJ4BC](#)  
[D38999/20WC98BC](#) [D38999/20FH97PN](#) [D38999/20FH36BB](#) [D38999/20FB5SD-LC](#) [D38999/26FJ35AD](#)  
[D38999/24WG27PB](#) [D38999/24GH34PC](#) [D38999/20WD19PN-LC](#) [D38999/26WB2SA-LC](#) [D38999/26FF45PN](#)  
[D38999/20WG25PA](#) [D38999/26FH36PN](#) [D38999/26FC98PE-LC](#) [D38999/24FD97SE](#) [D38999/20WD35BE](#)  
[D38999/20FD18PA](#) [D38999/26FF28PE](#) [D38999/20WG41PB](#) [D38999/26FB99PD-LC](#) [D38999/26FB4AE](#)  
[D38999/20WE35PA](#) [D38999/26WG16PB](#) [D38999/26GB99AA](#) [D38999/26FG25AB](#) [D38999/26FE6PD](#)  
[D38999/24FG25PE-LC](#) [D38999/20GH53PB-LC](#) [D38999/20WJ24AB](#) [D38999/20WE26SA-LC](#) [D38999/20FJ29SA](#)  
[D38999/26WB2AC](#) [D38999/24FH97SB](#) [D38999/20WF45BE](#) [D38999/20GD5PB-LC](#) [D38999/20FG11SE-LC](#)  
[D38999/24FD18SD](#) [D38999/24FB4PB-LC](#) [D38999/20WH97SA-LC](#) [D38999/20GE6SA](#) [D38999/26GH34PN-LC](#)  
[D38999/26FA98AN](#) [D38999/24GC98AE](#) [D38999/26GH99BA](#) [D38999/24WB35AN](#) [D38999/20GB4BD](#)  
[D38999/20FE35SE-LC](#) [D38999/20GG25SD](#) [D38999/26WC4SE-LC](#) [D38999/26GF35PC-LC](#) [D38999/24GJ43PN](#)  
[D38999/24WD19AB](#) [D38999/20GH97AE](#) [D38999/26FJ61SC](#) [D38999/24WF11PN](#) [D38999/24GJ24PE](#)  
[D38999/20FA98BA](#) [D38999/24FJ29SC](#) [D38999/20GD15PA-LC](#) [D38999/26WJ19PE](#) [D38999/24WH34AC](#)  
[D38999/24WE26AD](#) [D38999/26WJ29AB](#) [D38999/24GB99AC](#) [D38999/20FE35SB](#) [D38999/24WJ43BC](#)