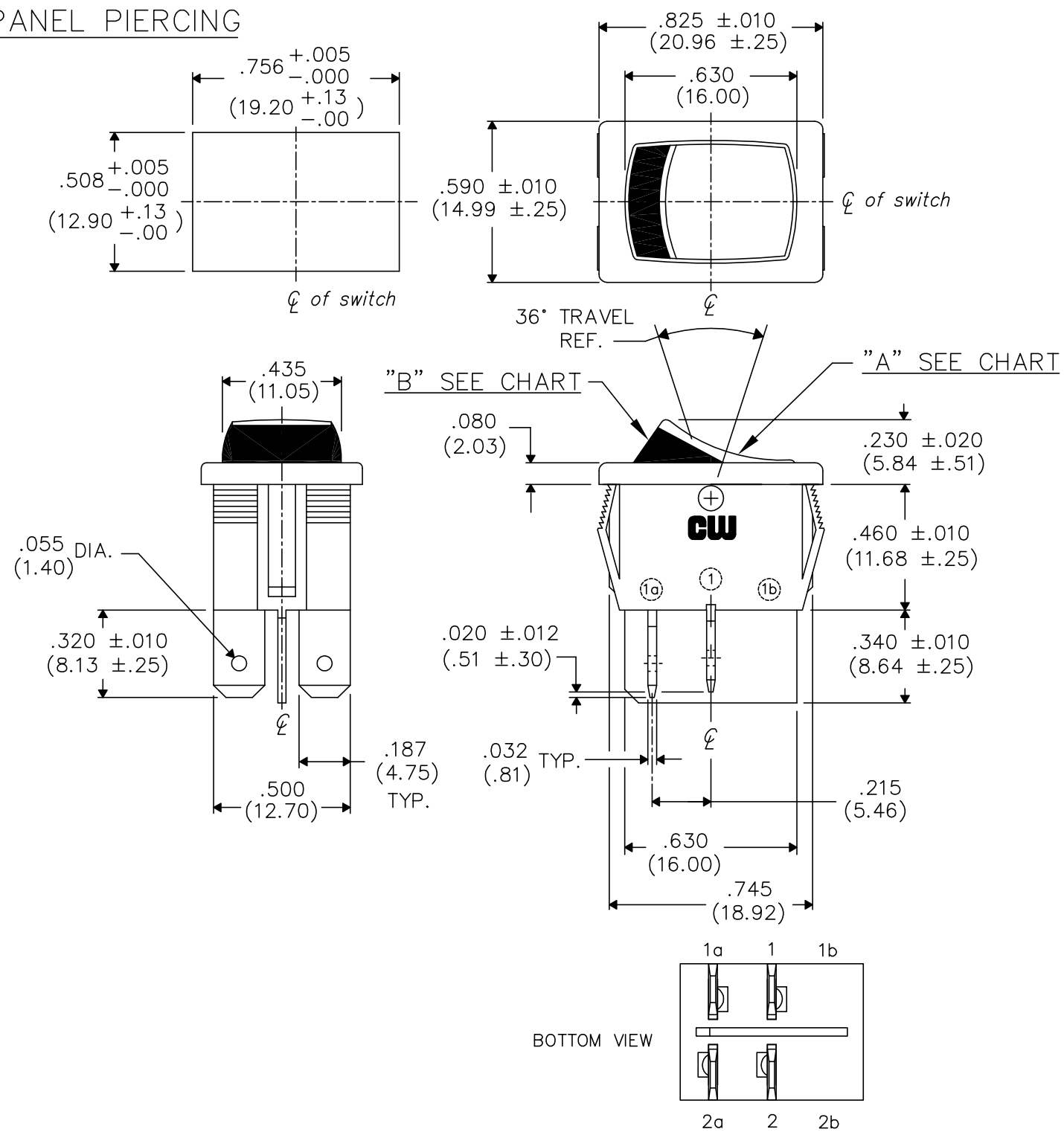


PANEL PIERCING

DIMENSIONS IN INCHES (MILLIMETERS)
DO NOT SCALE DRAWING

Dwg. No.
GRS-4021-0035



PART NUMBER	HOUSING COLOR	BUTTON COLOR "A"/"B"	CIRCUIT	RATING	UL & CSA
GRS-4021-0035	BLACK BK-000	BLACK BK-000/RED CNY-5447	DPST	16A 125-250VAC 3/4 H.P. 125-250VAC 3A 125V L 10A 14V T	APPROVED

1 2 3 4 5 6 7 8 9 10

B-FORMAT 2002

REVISIONS

0

RELEASED. DGW 8-29-2006
SEP. 01 2006

PDF FILE MADE

CW INDUSTRIES
Southampton, Pa. 18966

TOLERANCES UNLESS OTHERWISE SPECIFIED

2 Place Decimal $\pm .010$	METRIC
3 Place Decimal $\pm .005$	1 Place Dec. $\pm .25$ mm
Angles $\pm 1^\circ$	2 Place Dec. $\pm .13$ mm

Made for: CW IND.

Drawn by: DGW 8-29-2006

Checked by: G. GULD 9-1-06

Approval: GZISK

Title: 2 COLOR
ROCKER SWIDGET
ASSEMBLY
DP/ST (POP IN)

Division: SWITCH

Dwg. No.
GRS-4021-0035

Mouser Electronics

Authorized Distributor

Click to View Pricing, Inventory, Delivery & Lifecycle Information:

[CW Industries:](#)

[GRS-4021-0035](#)