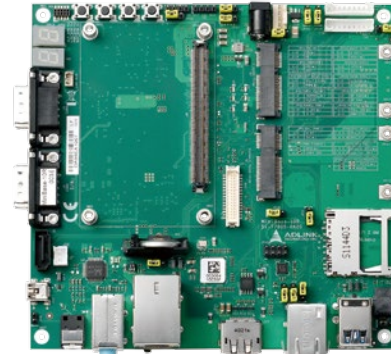


# miniBASE-10R

## COM Express® Type 10 Reference Carrier Board

### Features

- Carrier board for ADLINK Type 10 modules (excluding nano-TC/TCR)
- 2x USB 3.0, 2x USB 2.0, and 1x USB client
- Supports DisplayPort and LVDS (eDP optional)
- 1x SD card slot
- 2x Mini PCIe card slots (one supports mSATA cards)
- 2x RJ-45 LAN connectors
- Conforms to COM Express Carrier Design Guide rev. 2.0
- Supports Smart Battery and 19V adapter power supply



### Specifications

#### • Form Factor

##### Core module interface

PICMG® COM Express® Revision 2.1

Supports Type 10 modules in Mini form factor

##### Dimensions

150 mm x 142 mm

#### • BIOS/Debug

##### POST LEDs

Onboard diagnostics for BIOS POST code data and address on LPC bus

##### Secondary BIOS

Onboard socket for secondary SPI flash

#### • Audio

##### Audio Codec

Realtek ALC262 on DB-Audio2 daughter board (optional)

##### Interface

Line-in, Line-out, Mic-in on DB-Audio2 daughter board (optional)

##### Audio

Realtek audio codec

##### Digital I/O

SMBus to GPIO bridge

#### • LAN

##### GbE controllers

Dual Intel GbE Controller i210 (one from COM Express module, one from carrier board)

#### • Connectors and Interfaces

COM Express: 1x 220-pin (Type 10)

LVDS: 1x onboard header

Display Port: 1x onboard header

Audio: Mic/Line-in/Line-out on I/O panel

SATA: 1x SATA connector

Connectors and Interfaces (one supports mSATA cards)

LAN: 2x LAN supports, 10/100/1000BASE-T compatible RJ-45 on I/O panel

##### USB

2x USB 3.0 on I/O panel

2x USB 2.0 on I/O panel

1x USB client

##### Serial Port

2x DB-9 on I/O panel

##### SD card

1x socket onboard

##### Smart Battery

1x 10-pin header for Smart Battery management communications (connects to ADLINK BattMan board)

##### GPIO

GPIO 8-pin header

##### Module control bus

SMBus, I<sup>2</sup>C

##### Miscellaneous

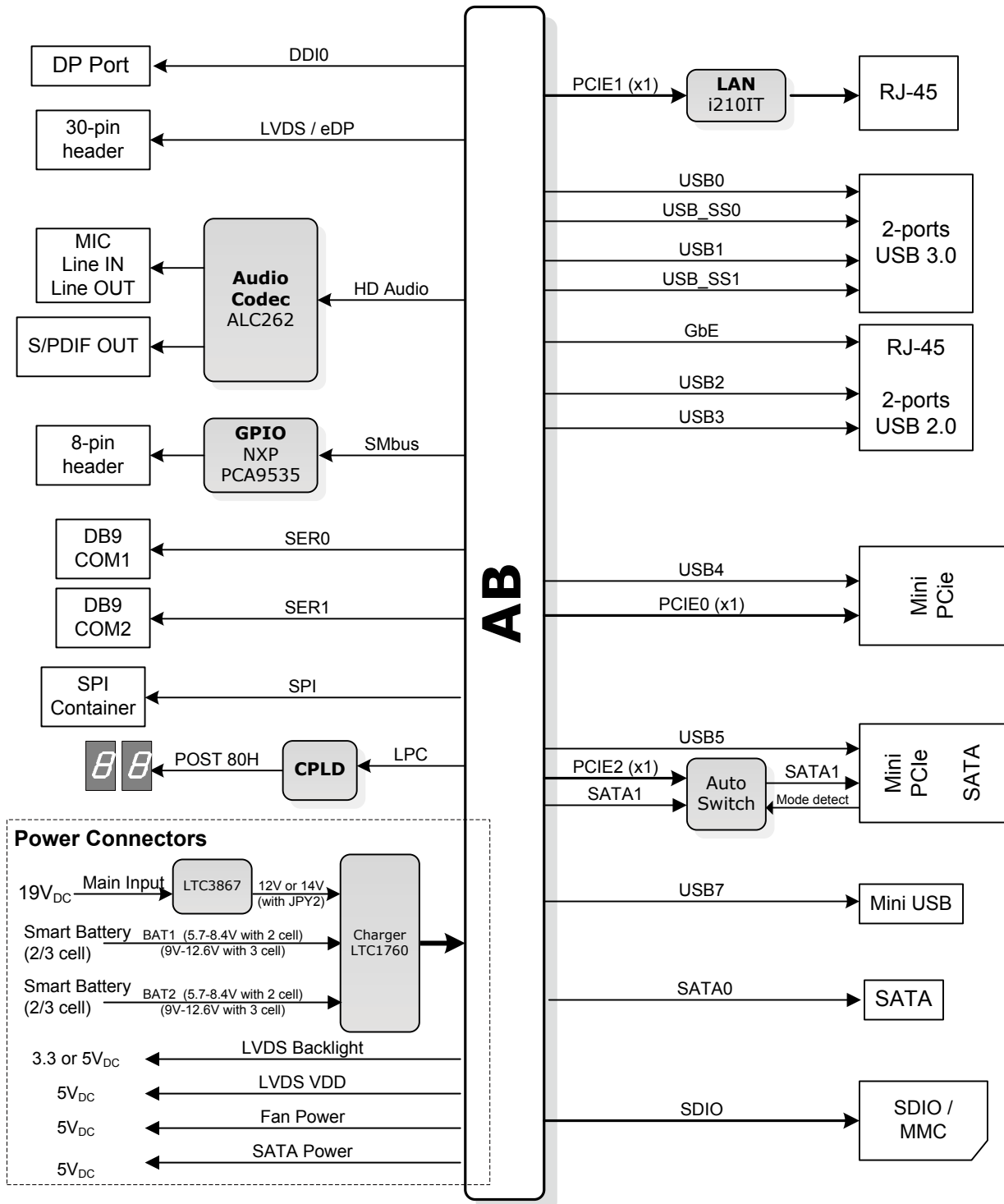
Reset button, Lid button, Sleep button, Power button, Power LED, HDD LED

### Ordering Information

#### • miniBASE-10R

COM Express® Type 10 Reference Carrier Board

# Functional Diagram



# Mouser Electronics

Authorized Distributor

Click to View Pricing, Inventory, Delivery & Lifecycle Information:

[ADLINK Technology:](#)

[MiniBase-10R](#)