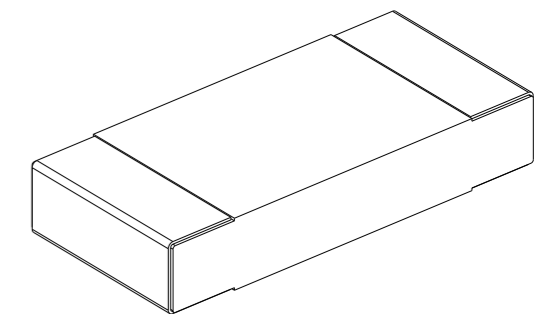
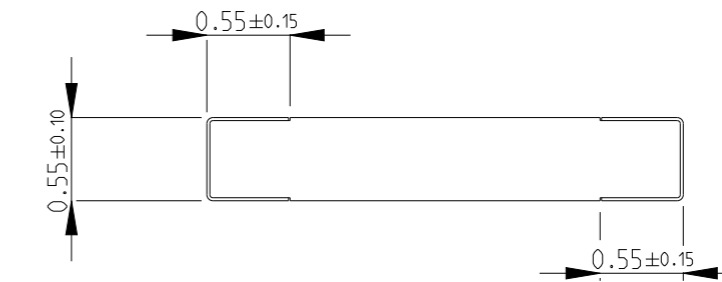
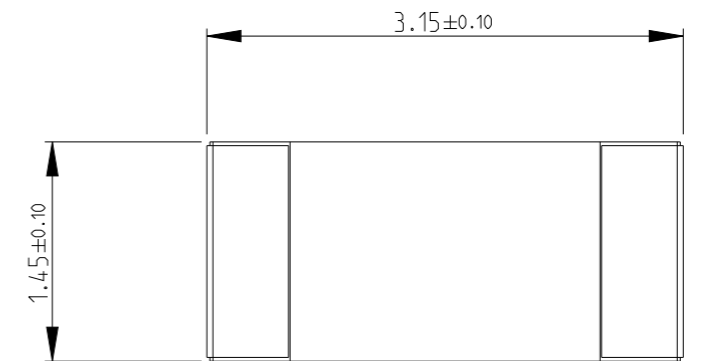


Complete TIN	Product Number	Material Description	Resistance (mΩ)	Weight (g) (1000 pcs)
2176467-1	TLRP2B10DR008FTD	TLRP 1206 1.0W R008 1% 50PPM 5K RL	8	10.5
2176467-2	TLRP2B10DR010FTD	TLRP 1206 1.0W R010 1% 50PPM 5K RL	10	10.5
2176467-3	TLRP2B10DR012FTD	TLRP 1206 1.0W R012 1% 50PPM 5K RL	12	10.5
2176467-4	TLRP2B10DR015FTD	TLRP 1206 1.0W R015 1% 50PPM 5K RL	15	10.5
2176467-5	TLRP2B10DR020FTD	TLRP 1206 1.0W R020 1% 50PPM 5K RL	20	10.5
2176467-6	TLRP2B10DR025FTD	TLRP 1206 1.0W R025 1% 50PPM 5K RL	25	10.5
2176467-7	TLRP2B10DR030FTD	TLRP 1206 1.0W R030 1% 50PPM 5K RL	30	10.5
2176467-8	TLRP2B10DR040FTD	TLRP 1206 1.0W R040 1% 50PPM 5K RL	40	10.5
2176467-9	TLRP2B10W R003FTD	TLRP 1206 1.0W R003 1% 75PPM 5K RL	3	10.5
1-2176467-0	TLRP2B10W R004FTD	TLRP 1206 1.0W R004 1% 75PPM 5K RL	4	10.5
1-2176467-1	TLRP2B10W R005FTD	TLRP 1206 1.0W R005 1% 75PPM 5K RL	5	10.5
1-2176467-2	TLRP2B10W R007FTD	TLRP 1206 1.0W R007 1% 75PPM 5K RL	7	10.5
1-2176467-3	TLRP2B10W R008FTD	TLRP 1206 1.0W R008 1% 75PPM 5K RL	8	10.5
1-2176467-4	TLRP2B10W R010FTD	TLRP 1206 1.0W R010 1% 75PPM 5K RL	10	10.5
1-2176467-5	TLRP2B10W R012FTD	TLRP 1206 1.0W R012 1% 75PPM 5K RL	12	10.5
1-2176467-6	TLRP2B10W R015FTD	TLRP 1206 1.0W R015 1% 75PPM 5K RL	15	10.5
1-2176467-7	TLRP2B10W R020FTD	TLRP 1206 1.0W R020 1% 75PPM 5K RL	20	10.5
1-2176467-8	TLRP2B10W R025FTD	TLRP 1206 1.0W R025 1% 75PPM 5K RL	25	10.5
1-2176467-9	TLRP2B10W R030FTD	TLRP 1206 1.0W R030 1% 75PPM 5K RL	30	10.5
2-2176467-0	TLRP2B10W R033FTD	TLRP 1206 1.0W R033 1% 75PPM 5K RL	33	10.5
2-2176467-1	TLRP2B10W R040FTD	TLRP 1206 1.0W R040 1% 75PPM 5K RL	40	10.5
2-2176467-2	TLRP2B10ER003FTD	TLRP 1206 1.0W R003 1% 100PPM 5K RL	3	10.5
2-2176467-3	TLRP2B10ER004FTD	TLRP 1206 1.0W R004 1% 100PPM 5K RL	4	10.5
2-2176467-4	TLRP2B10ER005FTD	TLRP 1206 1.0W R005 1% 100PPM 5K RL	5	10.5
2-2176467-5	TLRP2B10ER007FTD	TLRP 1206 1.0W R007 1% 100PPM 5K RL	7	10.5
2-2176467-6	TLRP2B10ER008FTD	TLRP 1206 1.0W R008 1% 100PPM 5K RL	8	10.5
2-2176467-7	TLRP2B10ER010FTD	TLRP 1206 1.0W R010 1% 100PPM 5K RL	10	10.5
2-2176467-8	TLRP2B10ER012FTD	TLRP 1206 1.0W R012 1% 100PPM 5K RL	12	10.5
2-2176467-9	TLRP2B10ER015FTD	TLRP 1206 1.0W R015 1% 100PPM 5K RL	15	10.5
3-2176467-0	TLRP2B10ER020FTD	TLRP 1206 1.0W R020 1% 100PPM 5K RL	20	10.5
3-2176467-1	TLRP2B10ER025FTD	TLRP 1206 1.0W R025 1% 100PPM 5K RL	25	10.5
3-2176467-2	TLRP2B10ER030FTD	TLRP 1206 1.0W R030 1% 100PPM 5K RL	30	10.5
3-2176467-3	TLRP2B10ER033FTD	TLRP 1206 1.0W R033 1% 100PPM 5K RL	33	10.5
3-2176467-4	TLRP2B10ER040FTD	TLRP 1206 1.0W R040 1% 100PPM 5K RL	40	10.5

P	LTR	DESCRIPTION	DATE	DWN	APVD
	A	INITIAL RELEASE	26MAY2021	MHS	AP

FOR FURTHER INFORMATION SEE DATA SHEET FOR TLRP SERIES-SMD HIGH POWER CURRENT SENSE RESISTORS



RoHS Compliant

THIS DRAWING IS A CONTROLLED DOCUMENT.		DWN	26MAY2021		TE Connectivity NAME SMD HIGH POWER - CURRENT SENSE RESISTORS, SERIES TLRP - 2B	
DIMENSIONS: mm		CHK	26MAY2021			
TOLERANCES UNLESS OTHERWISE SPECIFIED:		A. PILE	26MAY2021			
0 PLC ±0.2 1 PLC ±0.1 2 PLC ± 3 PLC ± 4 PLC ± ANGLES ±5°		APVD	26MAY2021	PRODUCT SPEC	SIZE	
MATERIAL		APPLICATION SPEC		CAGE CODE	DRAWING NO	RESTRICTED TO
-		-		WEIGHT	A3 00779	©=2176467
-		-		CUSTOMER DRAWING		SCALE 20:1 SHEET 1 OF 1 REV A