

MICRO SWITCH

FREEPORT ILLINOIS, U.S.A
A DIVISION OF HONEYWELL INC.
FED. MFG. CODE 91929

MINIATURE PRECISION LIMIT SWITCH

CATALOG LISTING

914CE3-6A

M 914CE3-6A

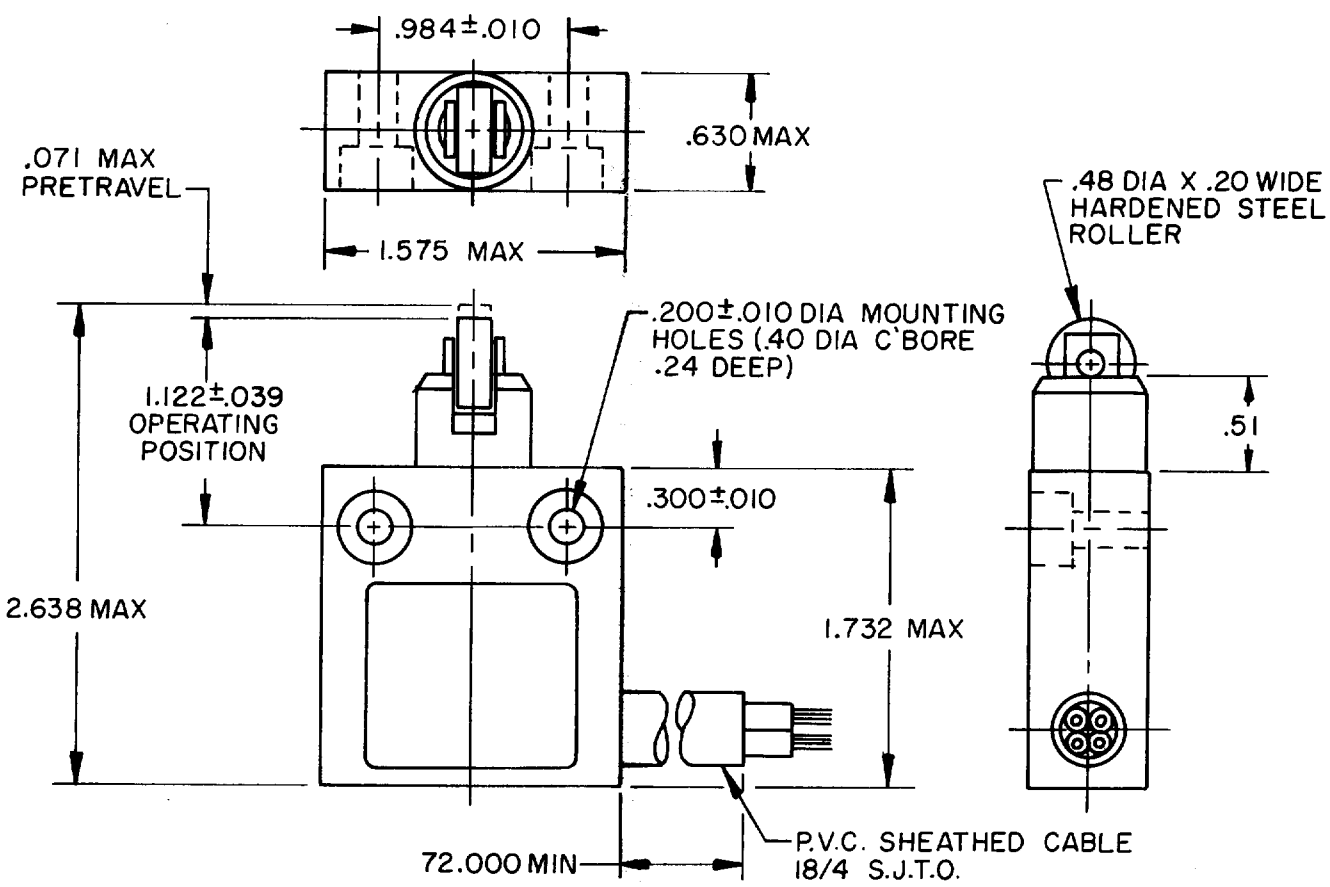
DRAWING NUMBER

ISSUE

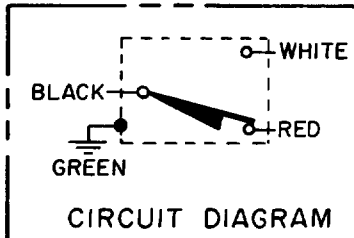
REVISIONS

-52848-B
DRAWN

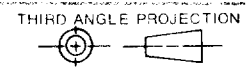
REPLACES
RELEASE NO. PR-17168
CHECK



- NOTES**
- 1 - ZINC HOUSING FINISHED WITH GREY PAINT
 - 2 - SIDE EXIT CABLE



THIS DRAWING COVERS A PROPRIETARY ITEM AND IS THE PROPERTY OF MICRO SWITCH, A DIVISION OF HONEYWELL. THIS DRAWING IS NOT TO BE COPIED OR USED WITHOUT THE APPROVAL OF MICRO SWITCH.



CHARACTERISTICS

OPERATING FORCE - - - -	2.7 LB MAX
RELEASE FORCE - - - - -	1.0 LB MIN
DIFFERENTIAL TRAVEL - - - -	.004 MAX
OVERTRAVEL - - - - -	.118 MIN

ELECTRICAL DATA

CONTACT ARRANGEMENT
S P D T

UL LISTED - HONEYWELL LTD.
FILE E 41859
5A - 250 VAC
1/10 HP-125 OR 250 VAC

LR-15775

SCALE FULL DO NOT SCALE PRINT

UNLESS OTHERWISE SPECIFIED TOLERANCES ARE

ONE PLACE	(.0)	$\pm .030$
TWO PLACE	(.00)	$\pm .015$
THREE PLACE	(.000)	$\pm .005$
ANGLES		\pm

RAW MATERIAL - COMMERCIAL STANDARD

DIMENSIONS ARE IN INCHES AND ARE TO BE MET BEFORE PROTECTIVE COATINGS ARE APPLIED

MICRO SWITCH STANDARDS APPLY

WEIGHT