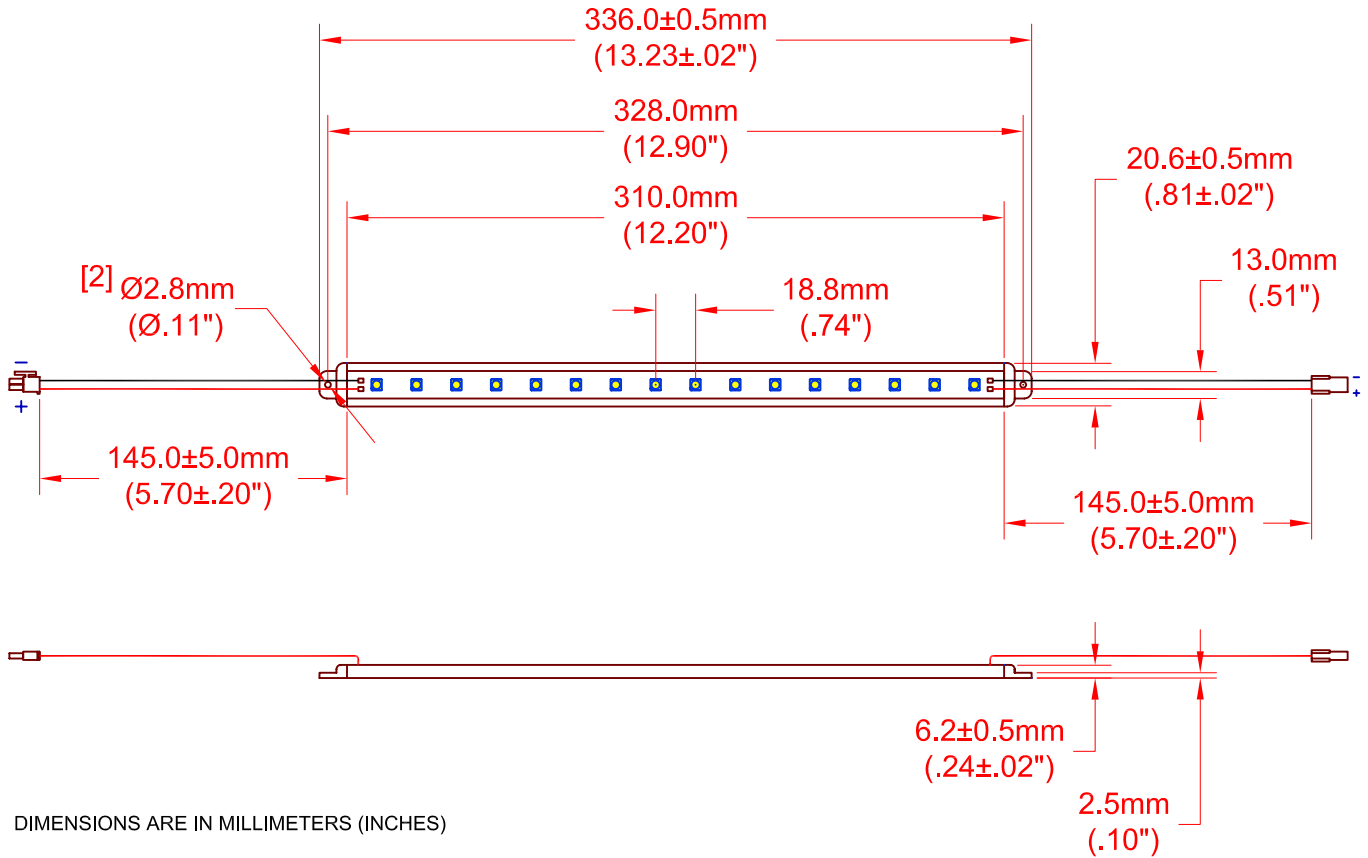


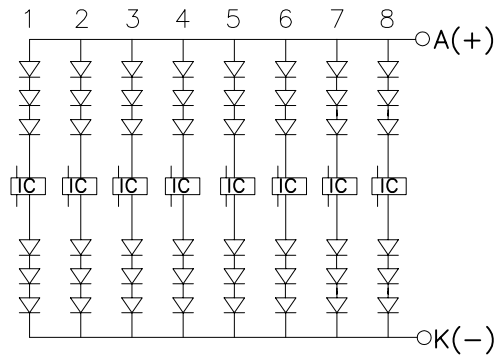


# ALUMILINE LED FIXTURE

## Dimensions



## Circuit Diagram

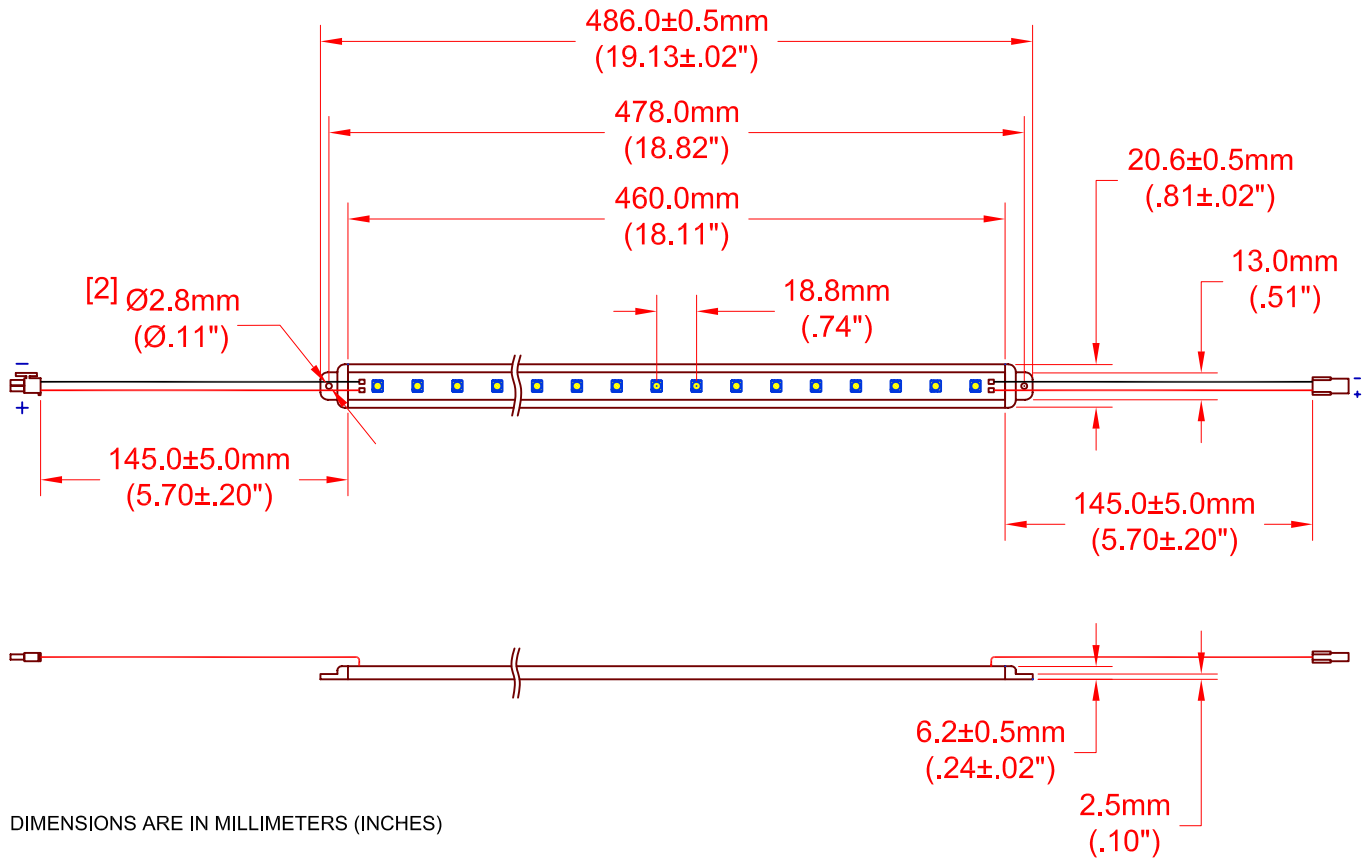


## Electro-Optical Characteristics (Ta = 25°C)

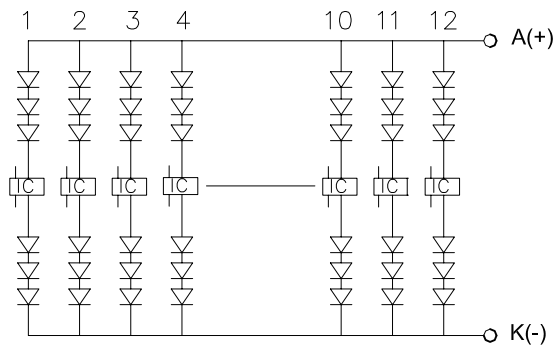
JKL Part Number	Color	Number of LEDs	Input Voltage (V DC)	Power (W)	Current (mA)	Radiance Angle (Deg.)	λd(nm)/ CCT(K)	Lumen Flux (lm)
ZAF-336-24CW	Cool White	16	24	3.84	160	120	6000K	192
ZAF-336-24NW	Neutral White	16	24	3.84	160	120	4100K	163
ZAF-336-24WW	Warm White	16	24	3.84	160	120	3050K	163

# ALUMILINE LED FIXTURE

## Dimensions



## Circuit Diagram

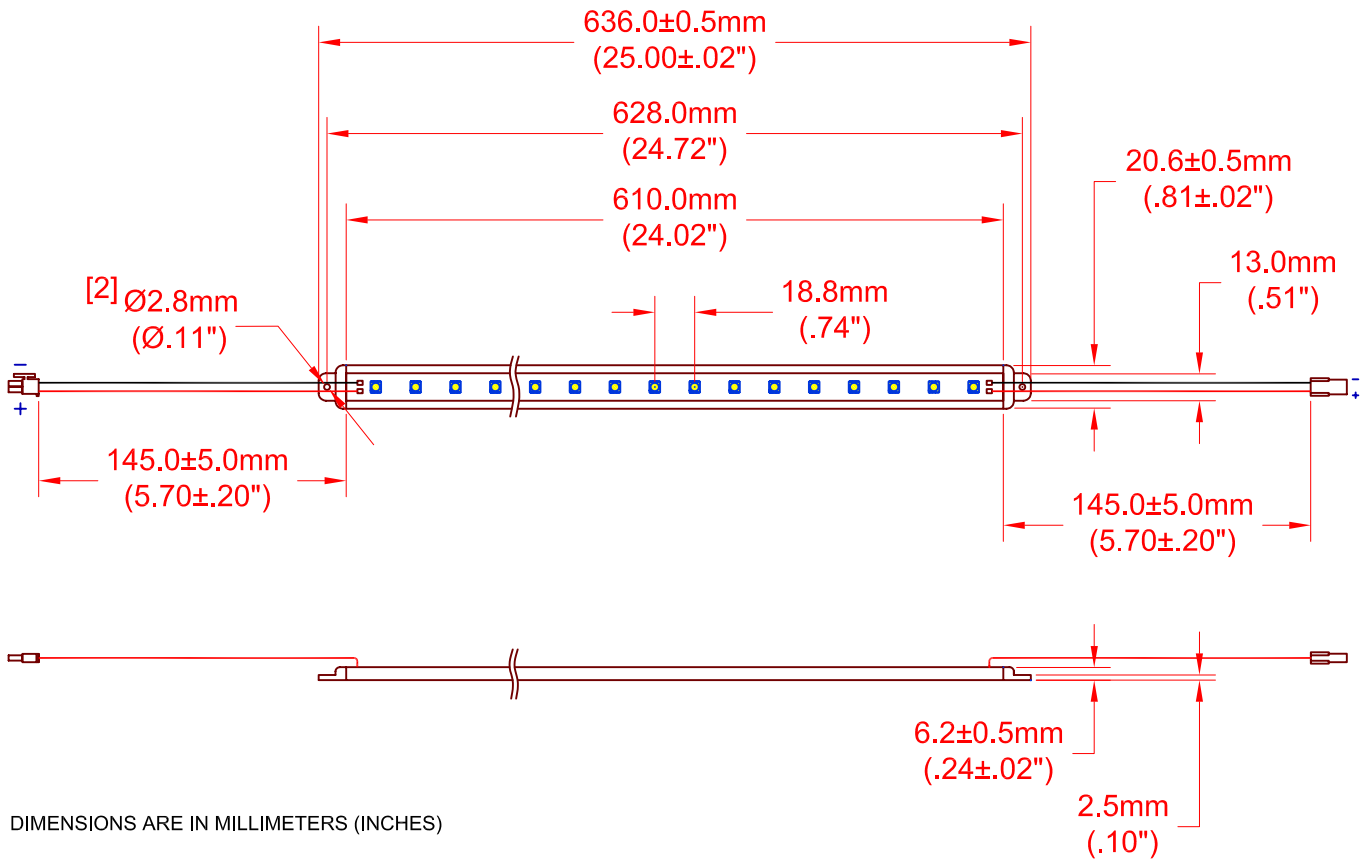


## Electro-Optical Characteristics (Ta = 25°C)

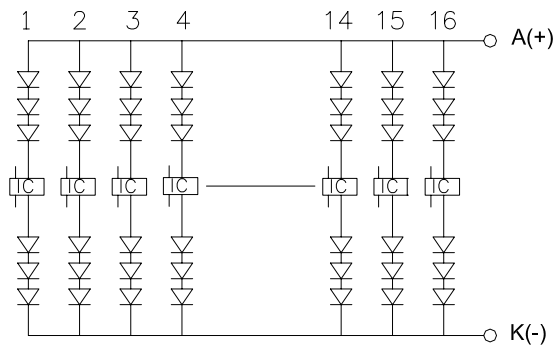
JKL Part Number	Color	Number of LEDs	Input Voltage (V DC)	Power (W)	Current (mA)	Radiance Angle (Deg.)	λd(nm)/ CCT(K)	Lumen Flux (lm)
ZAF-486-24CW	Cool White	24	24	5.76	240	120	6000K	288
ZAF-486-24NW	Neutral White	24	24	5.76	240	120	4100K	245
ZAF-486-24WW	Warm White	24	24	5.76	240	120	3050K	245

# ALUMILINE LED FIXTURE

## Dimensions



## Circuit Diagram

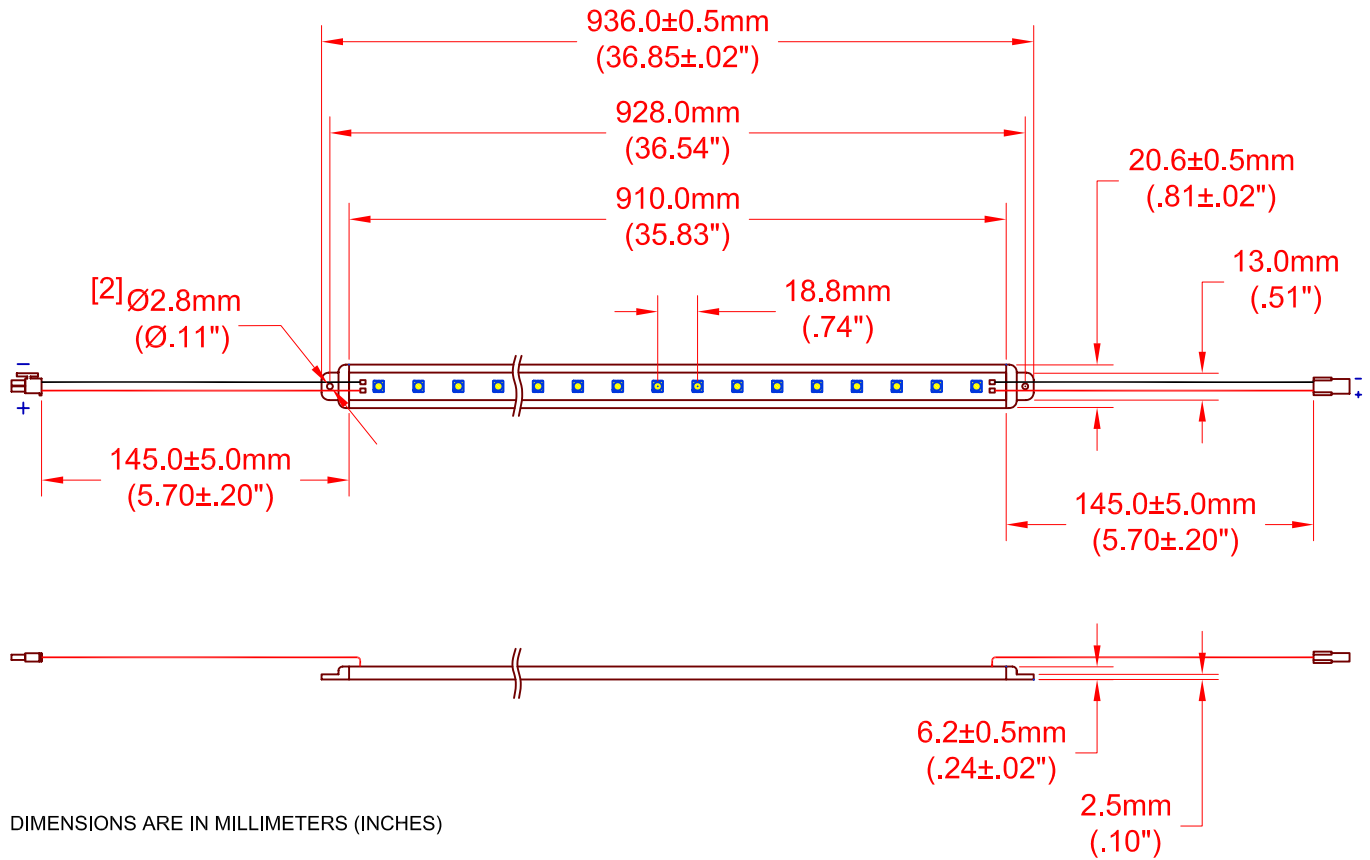


## Electro-Optical Characteristics (Ta = 25°C)

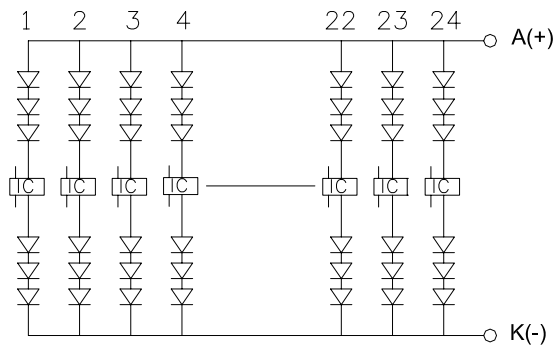
JKL Part Number	Color	Number of LEDs	Input Voltage (V DC)	Power (W)	Current (mA)	Radiance Angle (Deg.)	λd(nm)/ CCT(K)	Lumen Flux (lm)
ZAF-636-24CW	Cool White	32	24	7.68	320	120	6000K	384
ZAF-636-24NW	Neutral White	32	24	7.68	320	120	4100K	326
ZAF-636-24WW	Warm White	32	24	7.68	320	120	3050K	326

# ALUMILINE LED FIXTURE

## Dimensions



## Circuit Diagram

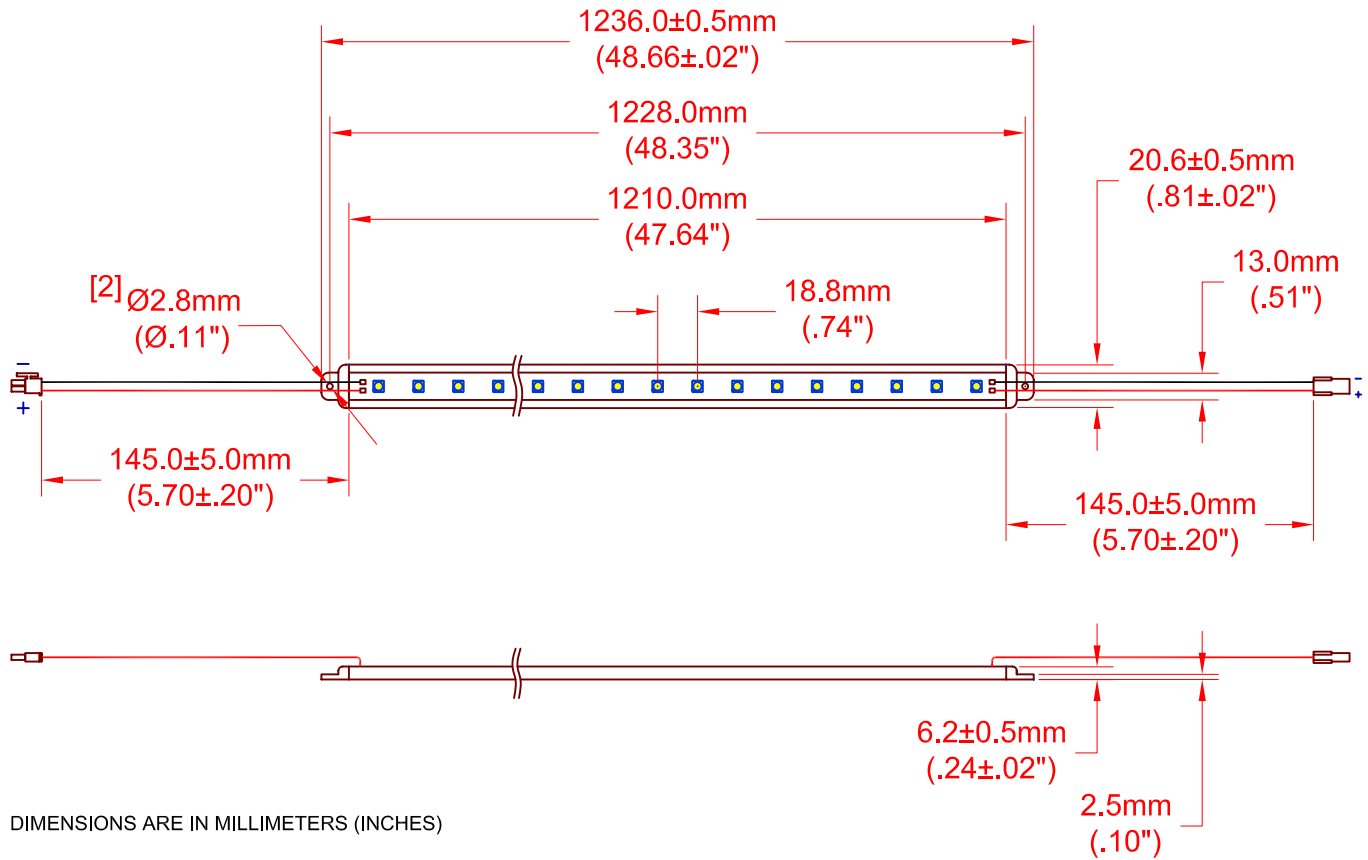


## Electro-Optical Characteristics (Ta = 25°C)

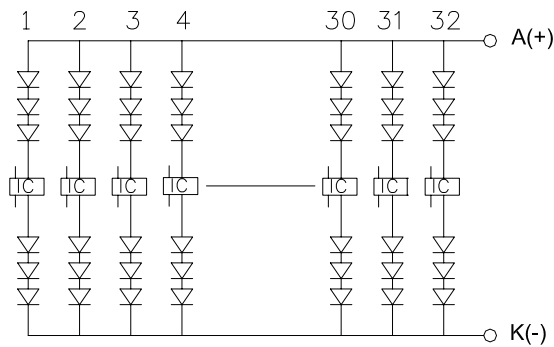
JKL Part Number	Color	Number of LEDs	Input Voltage (V DC)	Power (W)	Current (mA)	Radiance Angle (Deg.)	λd(nm)/ CCT(K)	Lumen Flux (lm)
ZAF-936-24CW	Cool White	48	24	11.52	480	120	6000K	576
ZAF-936-24NW	Neutral White	48	24	11.52	480	120	4100K	490
ZAF-936-24WW	Warm White	48	24	11.52	480	120	3050K	490

# ALUMILINE LED FIXTURE

## Dimensions



## Circuit Diagram



## Electro-Optical Characteristics (Ta = 25°C)

JKL Part Number	Color	Number of LEDs	Input Voltage (V DC)	Power (W)	Current (mA)	Radiance Angle (Deg.)	λd(nm)/ CCT(K)	Lumen Flux (lm)
ZAF-1236-24CW	Cool White	64	24	15.36	640	120	6000K	768
ZAF-1236-24NW	Neutral White	64	24	15.36	640	120	4100K	630
ZAF-1236-24WW	Warm White	64	24	15.36	640	120	3050K	630