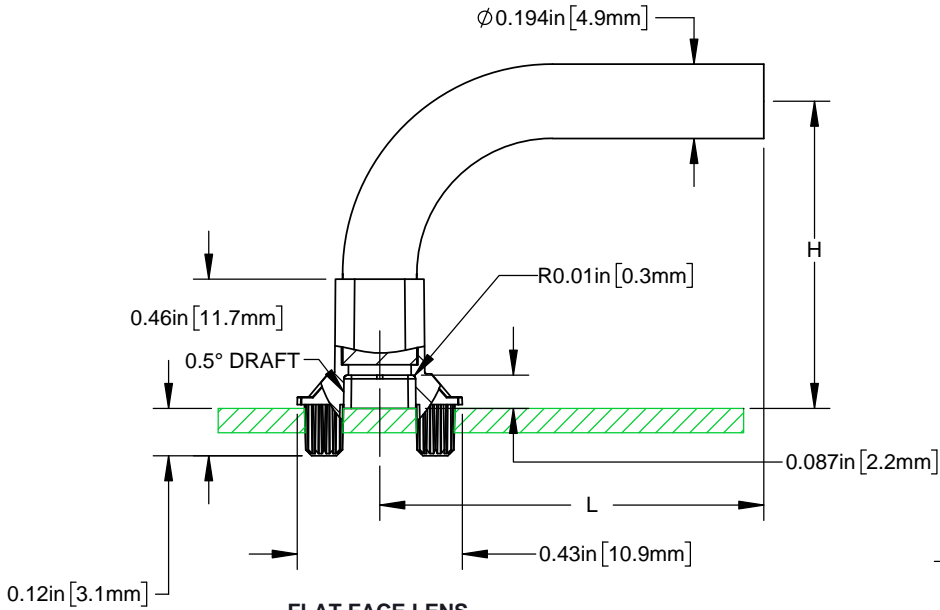
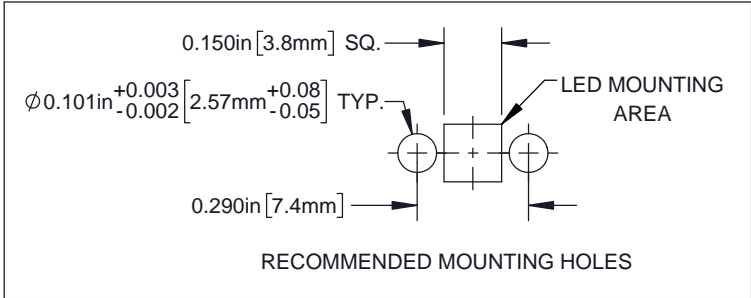
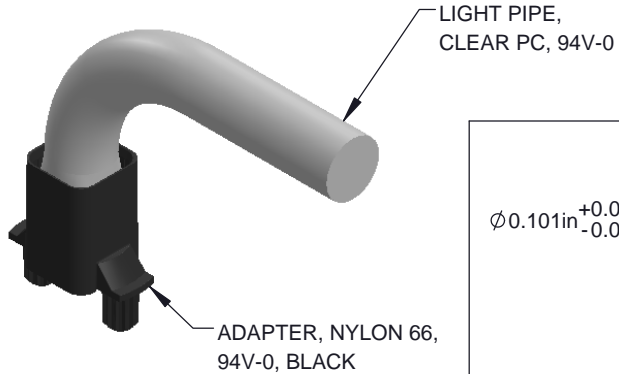
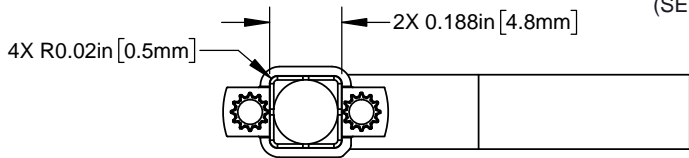
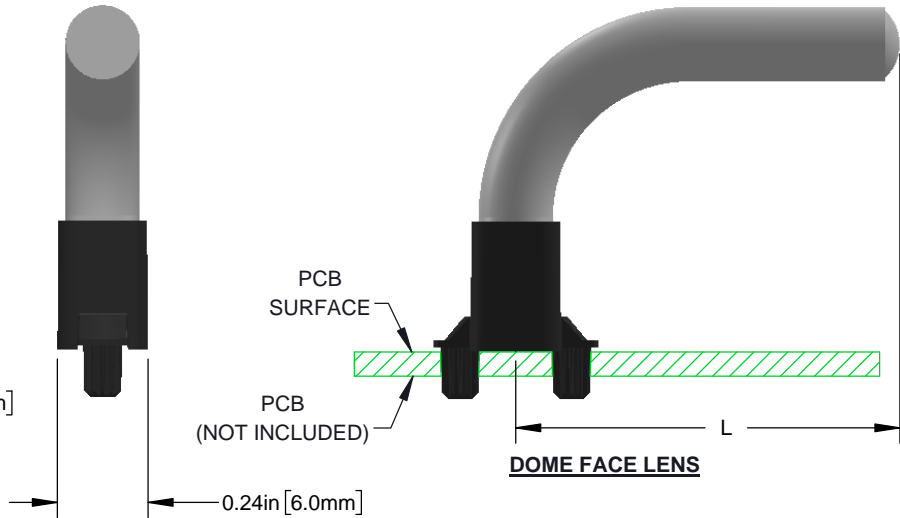


REVISIONS			
REV.	DESCRIPTION	DATE	APPROVED
B	Engineering Release	3/16/2018	M.C.



DIMENSIONS ARE APPLICABLE TO BOTH LENS FACES UNLESS OTHERWISE NOTED



PART NUMBER CONFIGURATION
(SEE PAGE 2, TABLES A & B)
LPR5-XXXX-XXXXXP

LENS FACE
LENGTH, (L)
HEIGHT, (H)

STANDARD TOLERANCE (UNLESS OTHERWISE SPECIFIED)	
DECIMALS	ANGULAR
.X ± .1	X° ± 1°
.XX ± .01	
.XXX ± .005	

BIVAR[®]
4 THOMAS, IRVINE, CA. 92618
TEL: (949) 951-8808 FAX: (949) 951-3974

TITLE: BIVAR LIGHT PIPE SYSTEM,
RIGHT ANGLE, 5MM, SINGLE STATION

DESIGNED: K. BARON	DATE: 03/16/18	PART NO: LPR5-XXXX-XXXXXP	REVISION: B
REVISED: N/A	DATE: N/A	CAGE CODE: 32559	
CHECKED: TD. NGUYEN	DATE: 03/16/18	SCALE: 2:1	SHEET # 1 OF 2

CAD GENERATED DOCUMENT, DO NOT MEASURE DRAWING

REVISIONS			
REV.	DESCRIPTION	DATE	APPROVED
	See Sheet 1		

STANDARD ORDERING INFORMATION

TABLE A - FLAT FACE LENS		
PART NO.	H ±.01	L ±.01
LPR5-0800-0700FP	0.800 [20.3mm]	0.700 [17.8mm]
LPR5-0800-1000FP		1.000 [25.4mm]
LPR5-0800-1500FP		1.500 [38.1mm]
LPR5-0800-2000FP		2.000 [50.8mm]
LPR5-0800-2500FP		2.500 [63.5mm]
LPR5-0800-3000FP		3.000 [76.2mm]
LPR5-1000-0700FP	1.000 [25.4mm]	0.700 [17.8mm]
LPR5-1000-1000FP		1.000 [25.4mm]
LPR5-1000-1500FP		1.500 [38.1mm]
LPR5-1000-2000FP		2.000 [50.8mm]
LPR5-1000-2500FP		2.500 [63.5mm]
LPR5-1000-3000FP		3.000 [76.2mm]
LPR5-1250-0700FP	1.250 [31.8mm]	0.700 [17.8mm]
LPR5-1250-1000FP		1.000 [25.4mm]
LPR5-1250-1500FP		1.500 [38.1mm]
LPR5-1250-2000FP		2.000 [50.8mm]
LPR5-1250-2500FP		2.500 [63.5mm]
LPR5-1250-3000FP		3.000 [76.2mm]

TABLE B - DOME FACE LENS		
PART NO.	H ±.01	L ±.01
LPR5-0800-0700DP	0.800 [20.3mm]	0.700 [17.8mm]
LPR5-0800-1000DP		1.000 [25.4mm]
LPR5-0800-1500DP		1.500 [38.1mm]
LPR5-0800-2000DP		2.000 [50.8mm]
LPR5-0800-2500DP		2.500 [63.5mm]
LPR5-0800-3000DP		3.000 [76.2mm]
LPR5-1000-0700DP	1.000 [25.4mm]	0.700 [17.8mm]
LPR5-1000-1000DP		1.000 [25.4mm]
LPR5-1000-1500DP		1.500 [38.1mm]
LPR5-1000-2000DP		2.000 [50.8mm]
LPR5-1000-2500DP		2.500 [63.5mm]
LPR5-1000-3000DP		3.000 [76.2mm]
LPR5-1250-0700DP	1.250 [31.8mm]	0.700 [17.8mm]
LPR5-1250-1000DP		1.000 [25.4mm]
LPR5-1250-1500DP		1.500 [38.1mm]
LPR5-1250-2000DP		2.000 [50.8mm]
LPR5-1250-2500DP		2.500 [63.5mm]
LPR5-1250-3000DP		3.000 [76.2mm]



PART NO: LPR5-XXXX-XXXXXP		REVISION: B
SCALE: N/A	SHEET # 2 OF 2	
CAD GENERATED DOCUMENT, DO NOT MEASURE DRAWING		