



# Precision, 16-Channel/Dual 8-Channel, High-Performance, CMOS Analog Multiplexers

MAX306/MAX307

## General Description

The MAX306/MAX307 precision, monolithic, CMOS analog multiplexers (muxes) offer low on-resistance (less than 100Ω), which is matched to within 5Ω between channels and remains flat over the specified analog signal range (7Ω, max). They also offer low leakage over temperature (I<sub>NO(OFF)</sub> less than 2.5nA at +85°C) and fast switching speeds (t<sub>TRANS</sub> less than 250ns). The MAX306 is a single-ended 1-of-16 device, and the MAX307 is a differential 2-of-8 device.

The MAX306/MAX307 are fabricated with Maxim's improved 44V silicon-gate process. Design improvements yield extremely low charge injection (less than 10pC) and guarantee electrostatic discharge (ESD) protection greater than 2000V.

These muxes operate with a single +4.5V to +30V supply, or bipolar ±4.5V to ±20V supplies, while retaining TTL/CMOS-logic input compatibility and fast switching. CMOS inputs provide reduced input loading. These improved parts are plug-in upgrades for the industry-standard DG406, DG407, DG506A, and DG507A.

## Applications

|                              |                          |
|------------------------------|--------------------------|
| Sample-and-Hold Circuits     | Military Radios          |
| Test Equipment               | Communications Systems   |
| Heads-Up Displays            | Battery-Operated Systems |
| Guidance and Control Systems | PBX, PABX                |
|                              | Audio Signal Routing     |

## Features

- ◆ **Guaranteed On-Resistance Match Between Channels, <5Ω Max**
- ◆ **Low On-Resistance, <100Ω Max**
- ◆ **Guaranteed Flat On-Resistance over Specified Signal Range, 7Ω Max**
- ◆ **Guaranteed Charge Injection, <10pC**
- ◆ **I<sub>NO(OFF)</sub> Leakage <2.5nA at +85°C**
- ◆ **I<sub>COM(OFF)</sub> Leakage <20nA at +85°C**
- ◆ **ESD Protection >2000V**
- ◆ **Plug-In Upgrade for Industry-Standard DG406/DG407/DG506A/DG507A**
- ◆ **Single-Supply Operation (+4.5V to +30V) Bipolar-Supply Operation (±4.5V to ±20V)**
- ◆ **Low Power Consumption, <1.25mW**
- ◆ **Rail-to-Rail Signal Handling**
- ◆ **TTL/CMOS-Logic Compatible**

## Ordering Information

| PART      | TEMP RANGE      | PIN-PACKAGE    |
|-----------|-----------------|----------------|
| MAX306CPI | 0°C to +70°C    | 28 Plastic DIP |
| MAX306CWI | 0°C to +70°C    | 28 Wide SO     |
| MAX306C/D | 0°C to +70°C    | Dice*          |
| MAX306EPI | -40°C to +85°C  | 28 Plastic DIP |
| MAX306EWI | -40°C to +85°C  | 28 Wide SO     |
| MAX306EQI | -40°C to +85°C  | 28 PLCC        |
| MAX306EUI | -40°C to +85°C  | 28 TSSOP       |
| MAX306MJI | -55°C to +125°C | 28 CERDIP      |

Ordering Information continued at end of data sheet.

\*Contact factory for dice specifications.

## Pin Configurations/Functional Diagrams/Truth Tables

TOP VIEW

DIP/SO/TSSOP

| A3 | A2 | A1 | A0 | EN | ON Switch |
|----|----|----|----|----|-----------|
| X  | X  | X  | X  | 0  | None      |
| 0  | 0  | 0  | 0  | 1  | 1         |
| 0  | 0  | 0  | 1  | 1  | 2         |
| 0  | 0  | 1  | 0  | 1  | 3         |
| 0  | 0  | 1  | 1  | 1  | 4         |
| 0  | 1  | 0  | 0  | 1  | 5         |
| 0  | 1  | 0  | 1  | 1  | 6         |
| 0  | 1  | 1  | 0  | 1  | 7         |
| 0  | 1  | 1  | 1  | 1  | 8         |
| 1  | 0  | 0  | 0  | 1  | 9         |
| 1  | 0  | 0  | 1  | 1  | 10        |
| 1  | 0  | 1  | 0  | 1  | 11        |
| 1  | 0  | 1  | 1  | 1  | 12        |
| 1  | 1  | 0  | 0  | 1  | 13        |
| 1  | 1  | 0  | 1  | 1  | 14        |
| 1  | 1  | 1  | 0  | 1  | 15        |
| 1  | 1  | 1  | 1  | 1  | 16        |

MAX306  
LOGIC "0" V<sub>AL</sub> ≤ 0.8V, LOGIC "1" = V<sub>AH</sub> ≥ 2.4V

Pin Configurations/Functional Diagrams/Truth Tables continued at end of data sheet.



**For pricing, delivery, and ordering information, please contact Maxim/Dallas Direct! at 1-888-629-4642, or visit Maxim's website at [www.maxim-ic.com](http://www.maxim-ic.com).**

# Precision, 16-Channel/Dual 8-Channel, High-Performance, CMOS Analog Multiplexers

## ABSOLUTE MAXIMUM RATINGS

(Voltage Referenced to V-)

|   |   |
|---|---|
| V+  | -0.3V, +44V   |
| GND   | -0.3V, +25V   |
| Digital Inputs, NO, COM (Note 1)                            | (V- - 2V) to (V+ + 2V) or 30mA (whichever occurs first) |
| Continuous Current (any terminal)                           | 30mA  |
| Peak Current, NO or COM (pulsed at 1ms, 10% duty cycle max) | 100mA   |
| Continuous Power Dissipation (T <sub>A</sub> = +70°C)       |   |
| 28-Pin Plastic DIP (derate 9.09mW/°C above +70°C)           | 727mW   |

|  |                 |
|--|-----------------|
| 28-Pin Wide SO (derate 12.50mW/°C above +70°C) | 1000mW          |
| 28-Pin PLCC (derate 10.53mW/°C above +70°C)    | 842mW           |
| 28-Pin CERDIP (derate 16.67mW/°C above +70°C)  | 1333mW          |
| 28-Pin TSSOP (derate 12.8mW/°C above +70°C)    | 1025mW          |
| Operating Temperature Ranges                   |                 |
| MAX30_C_                                       | 0°C to +70°C    |
| MAX30_E_                                       | -40°C to +85°C  |
| MAX30_MJI                                      | -55°C to +125°C |
| Storage Temperature Range                      | -65°C to +150°C |
| Lead Temperature (soldering, 10s)              | +300°C          |

**Note 1:** Signals on NO, COM, A0, A1, A2, A3, or EN exceeding V+ or V- are clamped by internal diodes. Limit forward current to maximum current ratings.

Stresses beyond those listed under "Absolute Maximum Ratings" may cause permanent damage to the device. These are stress ratings only, and functional operation of the device at these or any other conditions beyond those indicated in the operational sections of the specifications is not implied. Exposure to absolute maximum rating conditions for extended periods may affect device reliability.

## ELECTRICAL CHARACTERISTICS—Dual Supplies

(V+ = +15V, V- = -15V, GND = 0V, V<sub>AH</sub> = +2.4V, V<sub>AL</sub> = +0.8V, T<sub>A</sub> = T<sub>MIN</sub> to T<sub>MAX</sub>, unless otherwise noted.)

| PARAMETER                               | SYMBOL                             | CONDITIONS   |   | MIN   | TYP (Note 2)         | MAX                   | UNITS |    |       |  |
|---|------------------------------------|--|---|---|----------------------|-----------------------|-------|----|-------|--|
| <b>SWITCH</b>                           |                                    |  |   |   |                      |                       |       |    |       |  |
| Analog Signal Range                     | V <sub>NO</sub> , V <sub>COM</sub> | (Note 3)   |   | -15   |                      | +15                   | V     |    |       |  |
| On-Resistance                           | R <sub>ON</sub>                    | I <sub>NO</sub> = -1.0mA, V <sub>COM</sub> = ±10V                        | T <sub>A</sub> = +25°C<br>T <sub>A</sub> = T <sub>MIN</sub> to T <sub>MAX</sub> |   | 60<br>100            | 100<br>125            | Ω     |    |       |  |
| On-Resistance Matching Between Channels | ΔR <sub>ON</sub>                   | I <sub>NO</sub> = -1.0mA, V <sub>COM</sub> = ±10V (Note 4)               | T <sub>A</sub> = +25°C<br>T <sub>A</sub> = T <sub>MIN</sub> to T <sub>MAX</sub> |   | 1.5                  | 5<br>8                | Ω     |    |       |  |
| On-Resistance Flatness                  | R <sub>FLAT</sub>                  | I <sub>NO</sub> = -1.0mA, V <sub>COM</sub> = ±5V or 0V                   | T <sub>A</sub> = +25°C<br>T <sub>A</sub> = T <sub>MIN</sub> to T <sub>MAX</sub> |   | 1.8                  | 7<br>10               | Ω     |    |       |  |
| NO Off-Leakage Current (Note 5)         | I <sub>NO(OFF)</sub>               | V <sub>COM</sub> = ±10V, V <sub>NO</sub> = ±10V, V <sub>EN</sub> = 0V    | T <sub>A</sub> = +25°C<br>T <sub>A</sub> = T <sub>MIN</sub> to T <sub>MAX</sub> |   | -0.5<br>-2.5<br>-5.0 | +0.01<br>+2.5<br>+5.0 | nA    |    |       |  |
| COM Off-Leakage Current (Note 5)        | I <sub>COM(OFF)</sub>              | V <sub>NO</sub> = ±10V, V <sub>COM</sub> = ±10V, V <sub>EN</sub> = 0V    | MAX306  | T <sub>A</sub> = +25°C                                | -0.75                | +0.02                 | +0.75 | nA |       |  |
|   |                                    |  |   | T <sub>A</sub> = T <sub>MIN</sub> to T <sub>MAX</sub> |                      | -20                   |       |    | +20   |  |
|   |                                    |  |   |   |                      |                       |       |    |       |  |
|   |                                    |  | T <sub>A</sub> = T <sub>MIN</sub> to T <sub>MAX</sub>                           |   | -40                  |                       | +40   |    |       |  |
| COM On-Leakage Current (Note 5)         | I <sub>COM(ON)</sub>               | V <sub>COM</sub> = ±10V, V <sub>NO</sub> = ±10V, sequence each switch on | MAX306  | T <sub>A</sub> = +25°C                                | -0.75                | +0.02                 | +0.75 | nA |       |  |
|   |                                    |  |   | T <sub>A</sub> = T <sub>MIN</sub> to T <sub>MAX</sub> |                      | -25                   |       |    | +25   |  |
|   |                                    |  |   |   |                      |                       |       |    |       |  |
|   |                                    |  | T <sub>A</sub> = T <sub>MIN</sub> to T <sub>MAX</sub>                           |   | -50                  |                       | +50   |    |       |  |
| COM On-Leakage Current (Note 5)         | I <sub>COM(ON)</sub>               | V <sub>COM</sub> = ±10V, V <sub>NO</sub> = ±10V, sequence each switch on | MAX307  | T <sub>A</sub> = +25°C                                | -0.75                | +0.02                 | +0.75 | nA |       |  |
|   |                                    |  |   | T <sub>A</sub> = T <sub>MIN</sub> to T <sub>MAX</sub> |                      | -12.5                 |       |    | +12.5 |  |
|   |                                    |  |   |   |                      |                       |       |    |       |  |
|   |                                    |  | T <sub>A</sub> = T <sub>MIN</sub> to T <sub>MAX</sub>                           |   | -25                  |                       | +25   |    |       |  |

# Precision, 16-Channel/Dual 8-Channel, High-Performance, CMOS Analog Multiplexers

MAX306/MAX307

## ELECTRICAL CHARACTERISTICS—Dual Supplies (continued)

(V+ = +15V, V- = -15V, GND = 0V, V<sub>AH</sub> = +2.4V, V<sub>AL</sub> = +0.8V, T<sub>A</sub> = T<sub>MIN</sub> to T<sub>MAX</sub>, unless otherwise noted.)

| PARAMETER                             | SYMBOL                | CONDITIONS   |   | MIN   | TYP<br>(Note 2) | MAX  | UNITS |
|---------------------------------------|-----------------------|--|---|-------|-----------------|------|-------|
| <b>INPUT</b>                          |                       |  |   |       |                 |      |       |
| Input Current with Input Voltage High | I <sub>AH</sub>       | V <sub>A</sub> = 2.4V or 15V   |   | -1.0  |                 | +1.0 | μA    |
| Input Current with Input Voltage Low  | I <sub>AL</sub>       | V <sub>EN</sub> = 0V or 2.4V,<br>V <sub>A</sub> = 0V   |   | -1.0  |                 | +1.0 | μA    |
| <b>SUPPLY</b>                         |                       |  |   |       |                 |      |       |
| Power-Supply Range                    |                       |  |   | ±4.5  |                 | ±20  | V     |
| Positive Supply Current               | I+                    | V <sub>EN</sub> = V <sub>A</sub> = 0V or 5.0V  | T <sub>A</sub> = +25°C                                | 16    |                 | 30   | μA    |
|                                       |                       |  | T <sub>A</sub> = T <sub>MIN</sub> to T <sub>MAX</sub> |       |                 | 75   |       |
| Negative Supply Current               | I-                    | V <sub>EN</sub> = 2.4V,<br>V <sub>A(ALL)</sub> = 0V  | T <sub>A</sub> = +25°C                                | 0.075 |                 | 0.5  | mA    |
|                                       |                       |  | T <sub>A</sub> = T <sub>MIN</sub> to T <sub>MAX</sub> |       |                 | 1    |       |
| Positive Supply Current               | I+                    | V <sub>EN</sub> = 2.4V,<br>V <sub>A(ALL)</sub> = 0V  | T <sub>A</sub> = +25°C                                | -1    |                 | +1   | μA    |
|                                       |                       |  | T <sub>A</sub> = T <sub>MIN</sub> to T <sub>MAX</sub> | -10   |                 | +10  |       |
| <b>DYNAMIC</b>                        |                       |  |   |       |                 |      |       |
| Transition Time                       | t <sub>TRANS</sub>    | Figure 2   | T <sub>A</sub> = +25°C                                | 110   |                 | 300  | ns    |
|                                       |                       |  | T <sub>A</sub> = T <sub>MIN</sub> to T <sub>MAX</sub> |       |                 | 400  |       |
| Break-Before-Make Interval            | t <sub>OPEN</sub>     | Figure 4   | T <sub>A</sub> = +25°C                                | 10    |                 | 40   | ns    |
| Enable Turn-On Time                   | t <sub>ON(EN)</sub>   | Figure 3   | T <sub>A</sub> = +25°C                                | 130   |                 | 200  | ns    |
|                                       |                       |  | T <sub>A</sub> = T <sub>MIN</sub> to T <sub>MAX</sub> |       |                 | 400  |       |
| Enable Turn-Off Time                  | t <sub>OFF(EN)</sub>  | Figure 3   | T <sub>A</sub> = +25°C                                | 55    |                 | 150  | ns    |
|                                       |                       |  | T <sub>A</sub> = T <sub>MIN</sub> to T <sub>MAX</sub> |       |                 | 300  |       |
| Charge Injection (Note 3)             | Q                     | C <sub>L</sub> = 1.0nF,<br>V <sub>NO</sub> = 0V,<br>R <sub>S</sub> = 0Ω, Figure 5                                  | T <sub>A</sub> = +25°C                                | 2     |                 | 10   | pC    |
| Off-Isolation (Note 6)                | V <sub>ISO</sub>      | V <sub>EN</sub> = 0V,<br>R <sub>L</sub> = 1kΩ,<br>f = 100kHz, Figure 6   | T <sub>A</sub> = +25°C                                | -69   |                 |      | dB    |
| Crosstalk Between Channels            | V <sub>CT</sub>       | V <sub>EN</sub> = 2.4V,<br>f = 100kHz,<br>V <sub>GEN</sub> = 1V <sub>P-P</sub> ,<br>R <sub>L</sub> = 1kΩ, Figure 7 | T <sub>A</sub> = +25°C                                | -92   |                 |      | dB    |
| Logic Input Capacitance               | C <sub>IN</sub>       | f = 1MHz   | T <sub>A</sub> = +25°C                                | 8     |                 |      | pF    |
| NO Off-Capacitance                    | C <sub>NO(OFF)</sub>  | f = 1MHz,<br>V <sub>EN</sub> = V <sub>NO</sub> = 0V,<br>Figure 8   | T <sub>A</sub> = +25°C                                | 8     |                 |      | pF    |
| COM Off-Capacitance                   | C <sub>COM(OFF)</sub> | f = 1MHz,<br>V <sub>EN</sub> = 0.8V,<br>V <sub>COM</sub> = 0V,<br>Figure 8   | MAX306  | 130   |                 |      | pF    |
|                                       |                       |  | MAX307  | 65    |                 |      |       |
| COM On-Capacitance                    | C <sub>COM(ON)</sub>  | f = 1MHz,<br>V <sub>EN</sub> = 2.4V,<br>V <sub>COM</sub> = 0V,<br>Figure 8   | MAX306  | 140   |                 |      | pF    |
|                                       |                       |  | MAX307  | 70    |                 |      |       |

# Precision, 16-Channel/Dual 8-Channel, High-Performance, CMOS Analog Multiplexers

## ELECTRICAL CHARACTERISTICS—Single Supply

(V+ = +12V, V- = 0V, GND = 0V, V<sub>AH</sub> = +2.4V, V<sub>AL</sub> = +0.8V, T<sub>A</sub> = T<sub>MIN</sub> to T<sub>MAX</sub>, unless otherwise noted.)

| PARAMETER                        | SYMBOL                                | CONDITIONS   |                        | MIN | TYP<br>(Note 2) | MAX | UNITS |
|----------------------------------|---------------------------------------|--|------------------------|-----|-----------------|-----|-------|
| <b>SWITCH</b>                    |                                       |  |                        |     |                 |     |       |
| Analog Signal Range              | V <sub>NO</sub> ,<br>V <sub>COM</sub> | (Note 3)   |                        | 0   |                 | 12  | V     |
| On-Resistance                    | R <sub>ON</sub>                       | I <sub>NO</sub> = -1.0mA<br>V <sub>COM</sub> = 3V or 10V                                 | T <sub>A</sub> = +25°C |     | 120             | 175 | Ω     |
| <b>DYNAMIC</b>                   |                                       |  |                        |     |                 |     |       |
| Transition Time<br>(Note 3)      | t <sub>TRANS</sub>                    | V <sub>NO1</sub> = 8V,<br>V <sub>NO8</sub> = 0V,<br>V <sub>IN</sub> = 2.4V,<br>Figure 1  | T <sub>A</sub> = +25°C |     | 130             | 450 | ns    |
| Enable Turn-On Time<br>(Note 3)  | t <sub>ON(EN)</sub>                   | V <sub>INH</sub> = 2.4V,<br>V <sub>INL</sub> = 0V,<br>V <sub>NO1</sub> = 5V,<br>Figure 3 | T <sub>A</sub> = +25°C |     | 105             | 600 | ns    |
| Enable Turn-Off Time<br>(Note 3) | t <sub>OFF(EN)</sub>                  | V <sub>INH</sub> = 2.4V,<br>V <sub>INL</sub> = 0V,<br>V <sub>NO1</sub> = 5V,<br>Figure 3 | T <sub>A</sub> = +25°C |     | 80              | 300 | ns    |
| Charge Injection<br>(Note 3)     | Q                                     | C <sub>L</sub> = 1.0nF,<br>V <sub>NO</sub> = 0V,<br>R <sub>S</sub> = 0Ω                  | T <sub>A</sub> = +25°C |     | 2               | 10  | pC    |

**Note 2:** The algebraic convention where the most negative value is a minimum and the most positive value a maximum is used in this data sheet.

**Note 3:** Guaranteed by design.

**Note 4:**  $\Delta R_{ON} = R_{ON(MAX)} - R_{ON(MIN)}$ . On-resistance match between channels and flatness are guaranteed only with specified voltages. Flatness is defined as the difference between the maximum and minimum value of on-resistance as measured at the extremes of the specified analog signal range.

**Note 5:** Leakage parameters are 100% tested at the maximum-rated hot temperature and guaranteed by correlation at +25°C.

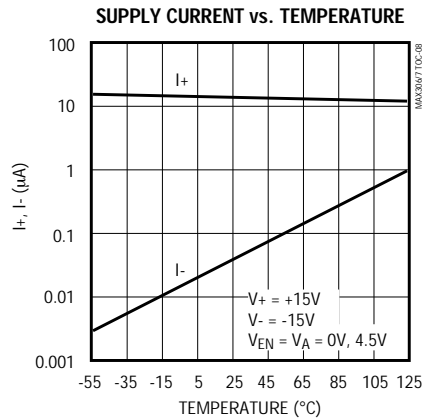
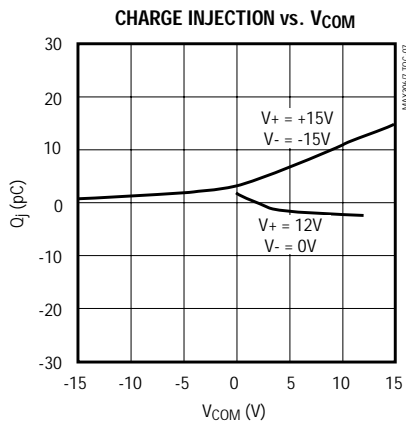
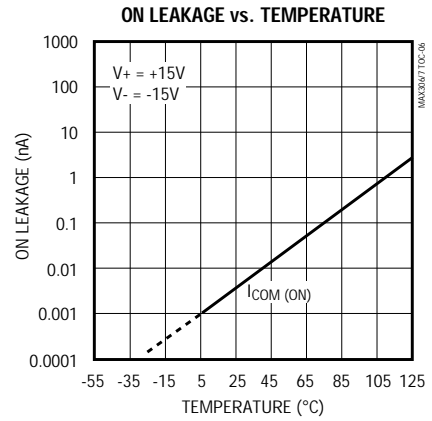
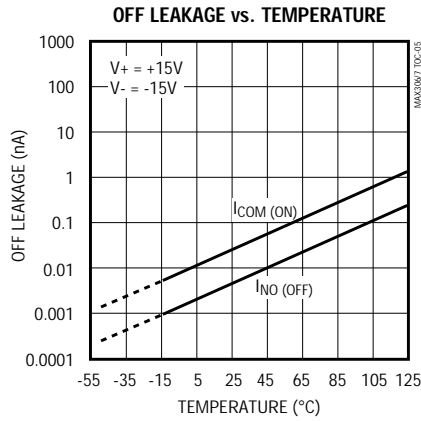
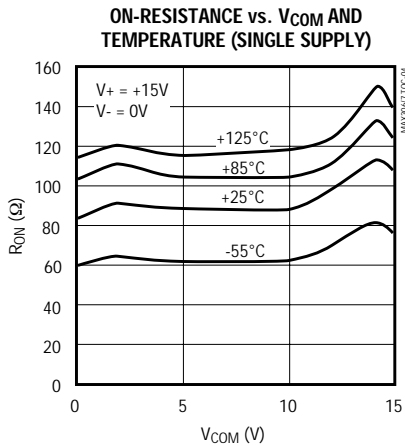
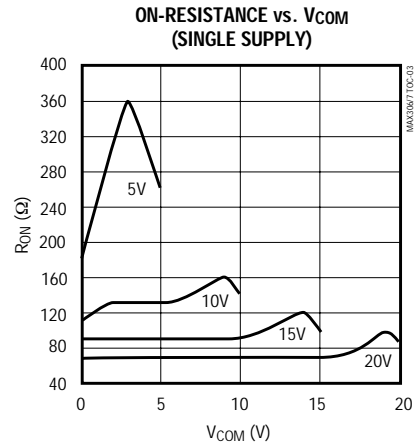
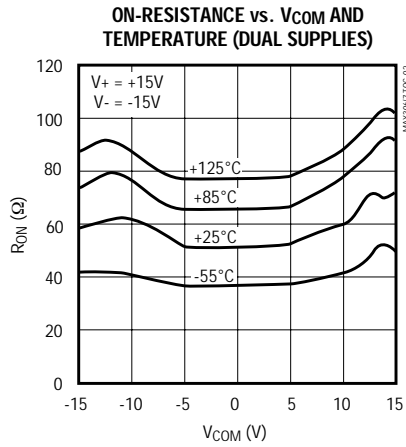
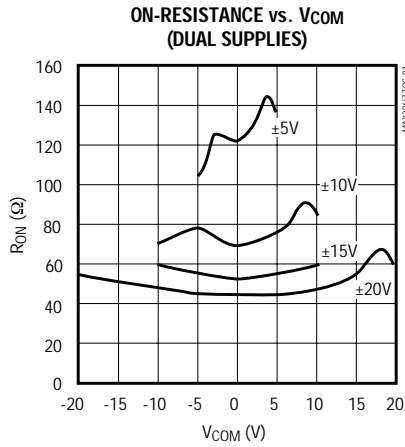
**Note 6:** Off-isolation =  $20 \log V_{COM}/V_{NO}$ , where V<sub>COM</sub> = output and V<sub>NO</sub> = input to off switch.

# Precision, 16-Channel/Dual 8-Channel, High-Performance, CMOS Analog Multiplexers

## Typical Operating Characteristics

( $T_A = +25^\circ\text{C}$ , unless otherwise noted.)

MAX306/MAX307



# Precision, 16-Channel/Dual 8-Channel, High-Performance, CMOS Analog Multiplexers

## Pin Descriptions

| MAX306 PIN | NAME     | FUNCTION                                 |
|------------|----------|--|
| 1          | V+       | Positive Supply Voltage Input            |
| 2, 3, 13   | N.C.     | No Connection. Not internally connected. |
| 4–11       | NO16–NO9 | Analog Inputs–bidirectional              |
| 12         | GND      | Ground                                   |
| 14–17      | A3–A0    | Address Inputs                           |
| 18         | EN       | Enable Inputs                            |
| 19–26      | NO1–NO8  | Analog Inputs–bidirectional              |
| 27         | V-       | Negative Supply Voltage Input            |
| 28         | COM      | Output–bidirectional                     |

| MAX307 PIN | NAME       | FUNCTION                                 |
|------------|------------|--|
| 1          | V+         | Positive Supply Voltage Input            |
| 2          | COMB       | Output B–bidirectional                   |
| 3, 13, 14  | N.C.       | No Connection. Not internally connected. |
| 4–11       | NO8B–NO1B  | Analog Inputs–bidirectional              |
| 12         | GND        | Ground                                   |
| 15, 16, 17 | A2, A1, A0 | Address Inputs                           |
| 18         | EN         | Enable Input                             |
| 19–26      | NO1A–NO8A  | Analog Inputs–bidirectional              |
| 27         | V-         | Negative Supply Voltage Input            |
| 28         | COMA       | Output A–bidirectional                   |

## Applications Information

### Operation with Supply Voltages Other than $\pm 15V$

Using supply voltages other than  $\pm 15V$  will reduce the analog signal range. The MAX306/MAX307 switches operate with  $\pm 4.5V$  to  $\pm 20V$  bipolar supplies or with a  $+4.5V$  to  $+30V$  single supply; connect V- to GND when operating with a single supply. Also, both device types can operate with unbalanced supplies such as  $+24V$  and  $-5V$ . The *Typical Operating Characteristics* graphs show typical on-resistance with 20V, 15V, 10V, and 5V supplies. (Switching times increase by a factor of two or more for operation at 5V.)

### Overvoltage Protection

Proper power-supply sequencing is recommended for all CMOS devices. Do not exceed the absolute maximum ratings because stresses beyond the listed ratings may cause permanent damage to the devices. Always sequence V+ on first, then V-, followed by either the logic inputs, NO or COM. If power-supply sequencing is not possible, add two small-signal diodes in series with supply pins for overvoltage protection (Figure 1). Adding diodes reduces the analog signal

range to 1V above V+ and 1V below V-, but low switch resistance and low leakage characteristics are unaffected. Device operation is unchanged, and the difference between V+ and V- should not exceed +44V.

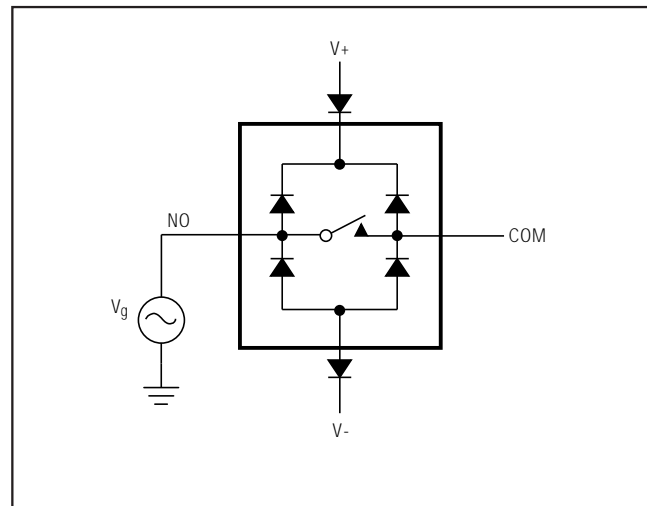


Figure 1. Overvoltage Protection Using External Blocking Diodes

# Precision, 16-Channel/Dual 8-Channel, High-Performance, CMOS Analog Multiplexers

## Test Circuits/Timing Diagrams

MAX306/MAX307

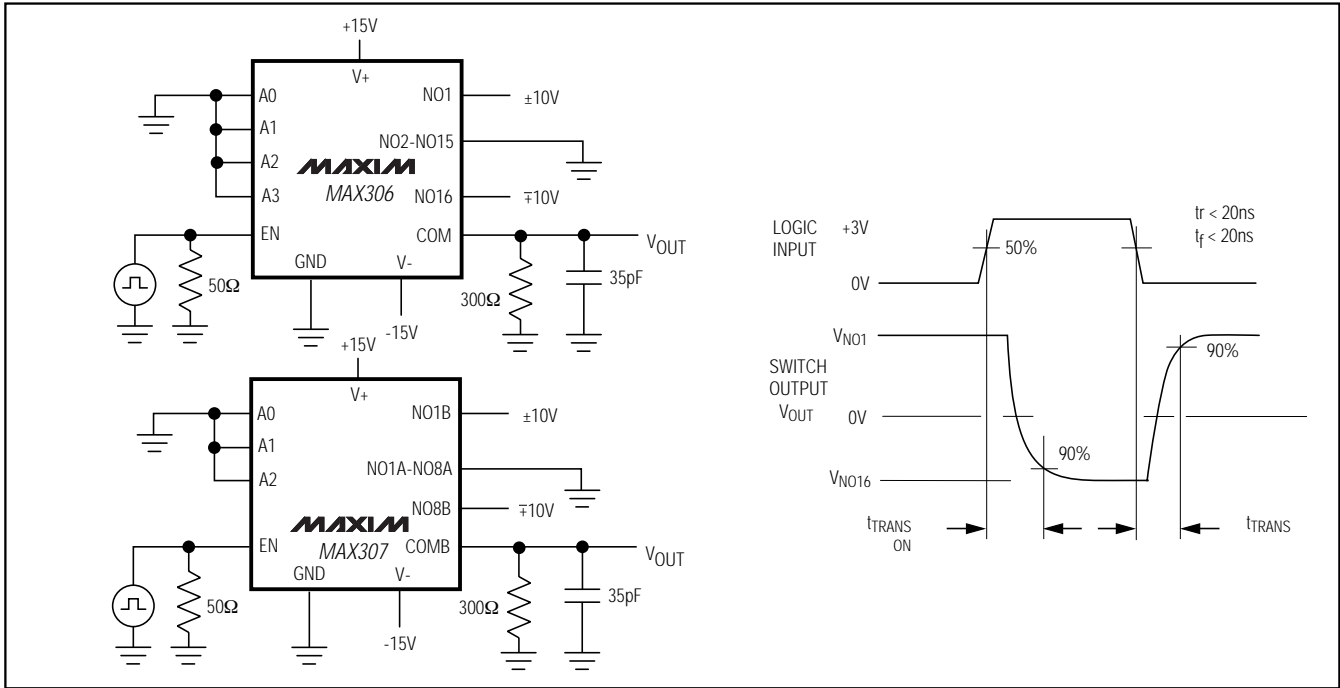


Figure 2. Transition Time

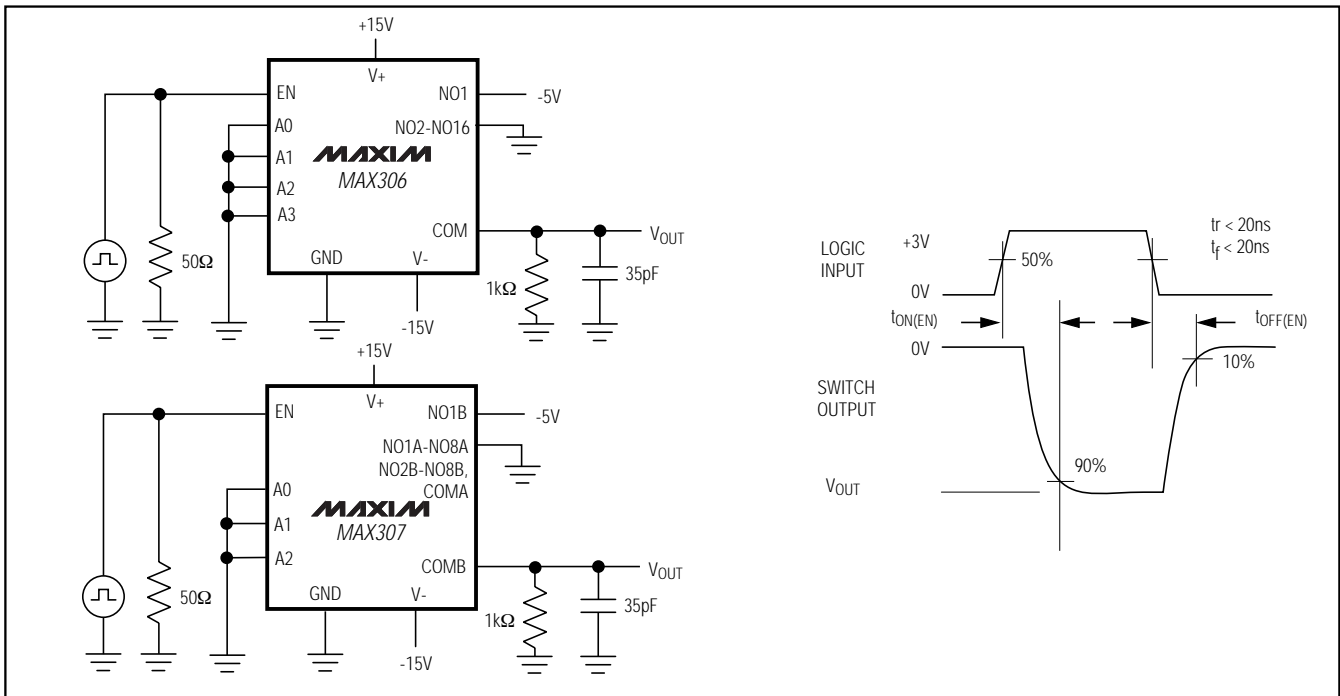


Figure 3. Enable Switching Time

# Precision, 16-Channel/Dual 8-Channel, High-Performance, CMOS Analog Multiplexers

Test Circuits/Timing Diagrams (continued)

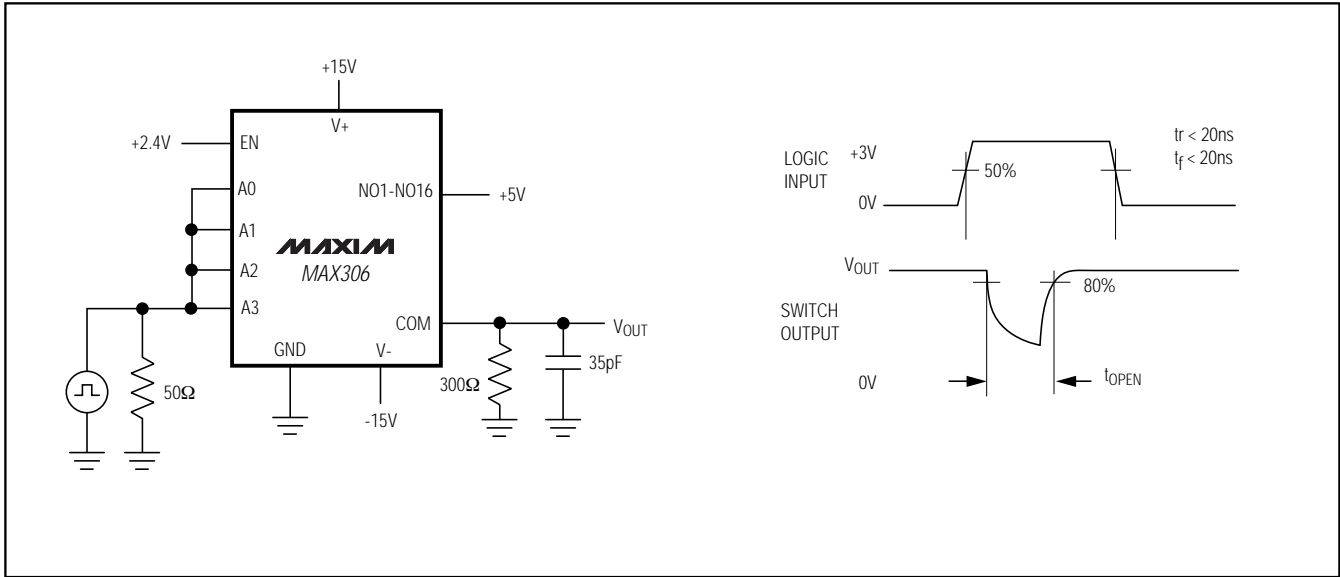


Figure 4. Break-Before-Make Interval

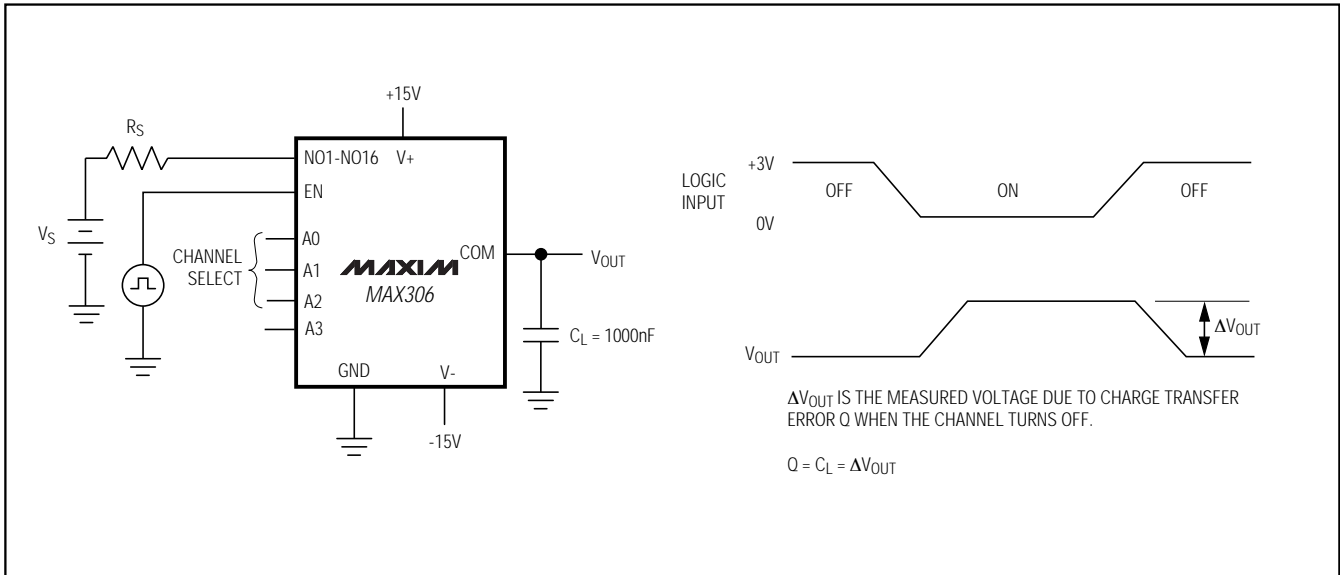


Figure 5. Charge Injection



# Precision, 16-Channel/Dual 8-Channel, High-Performance, CMOS Analog Multiplexers

Test Circuits/Timing Diagrams (continued)

MAX306/MAX307

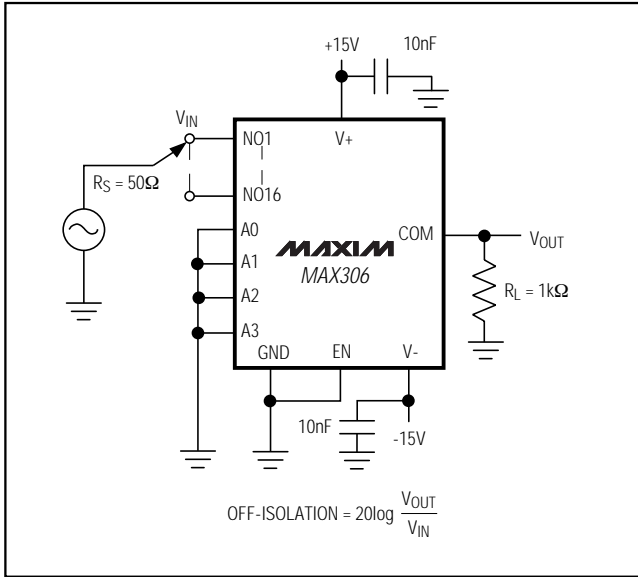


Figure 6. Off-Isolation

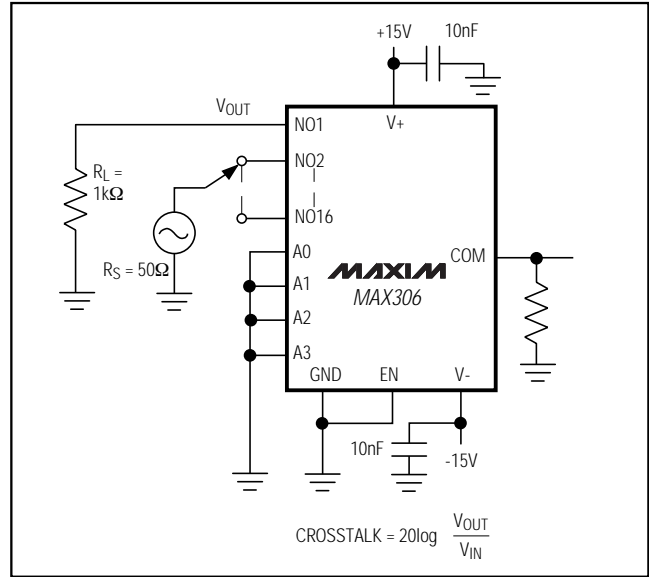


Figure 7. Crosstalk

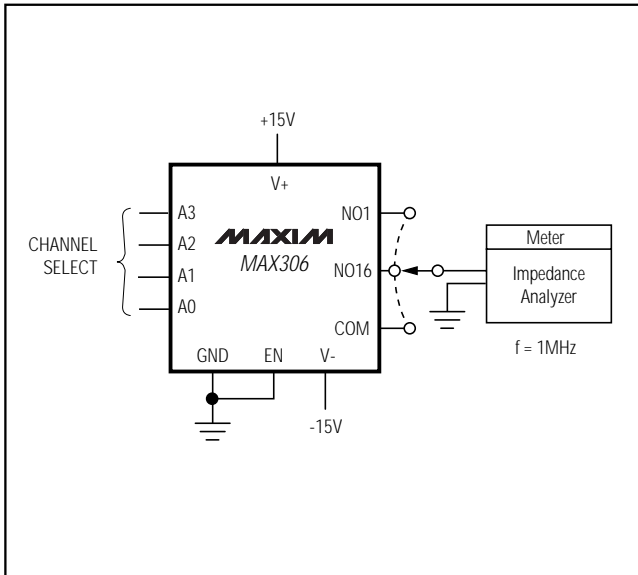


Figure 8. NO/COM Capacitance

# Precision, 16-Channel/Dual 8-Channel, High-Performance, CMOS Analog Multiplexers

Pin Configurations/Functional Diagrams/Truth Tables (continued)

TOP VIEW

**DIP/SO**

| A2 | A1 | A0 | EN | ON Switch |
|----|----|----|----|-----------|
| X  | X  | X  | 0  | None      |
| 0  | 0  | 0  | 1  | 1         |
| 0  | 0  | 1  | 1  | 2         |
| 0  | 1  | 0  | 1  | 3         |
| 0  | 1  | 1  | 1  | 4         |
| 1  | 0  | 0  | 1  | 5         |
| 1  | 0  | 1  | 1  | 6         |
| 1  | 1  | 0  | 1  | 7         |
| 1  | 1  | 1  | 1  | 8         |

**MAX307**

**LOGIC "0"  $V_{AL} \leq 0.8V$ , LOGIC "1" =  $V_{AH} \geq 2.4V$**

TOP VIEW

**PLCC**

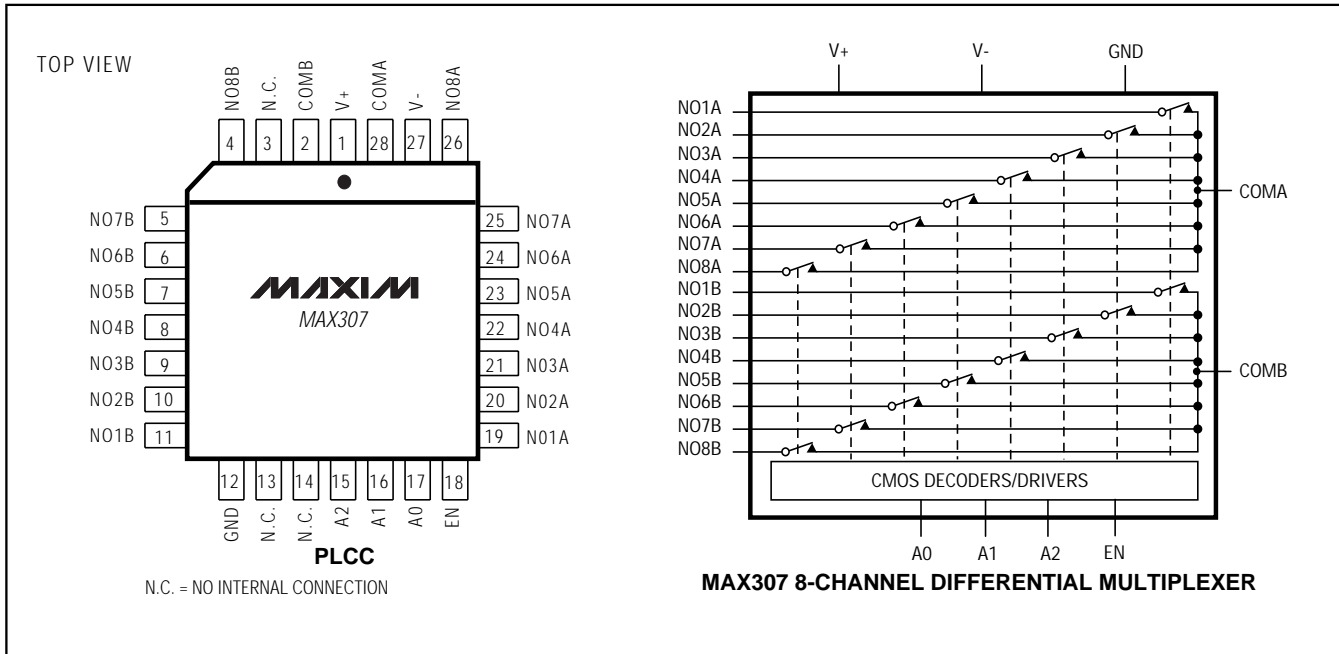
N.C. = NO INTERNAL CONNECTION

**MAX306 16-CHANNEL SINGLE-ENDED MULTIPLEXER**

# Precision, 16-Channel/Dual 8-Channel, High-Performance, CMOS Analog Multiplexers

Pin Configurations/Functional Diagrams/Truth Tables (continued)

MAX306/MAX307



## Ordering Information (continued)

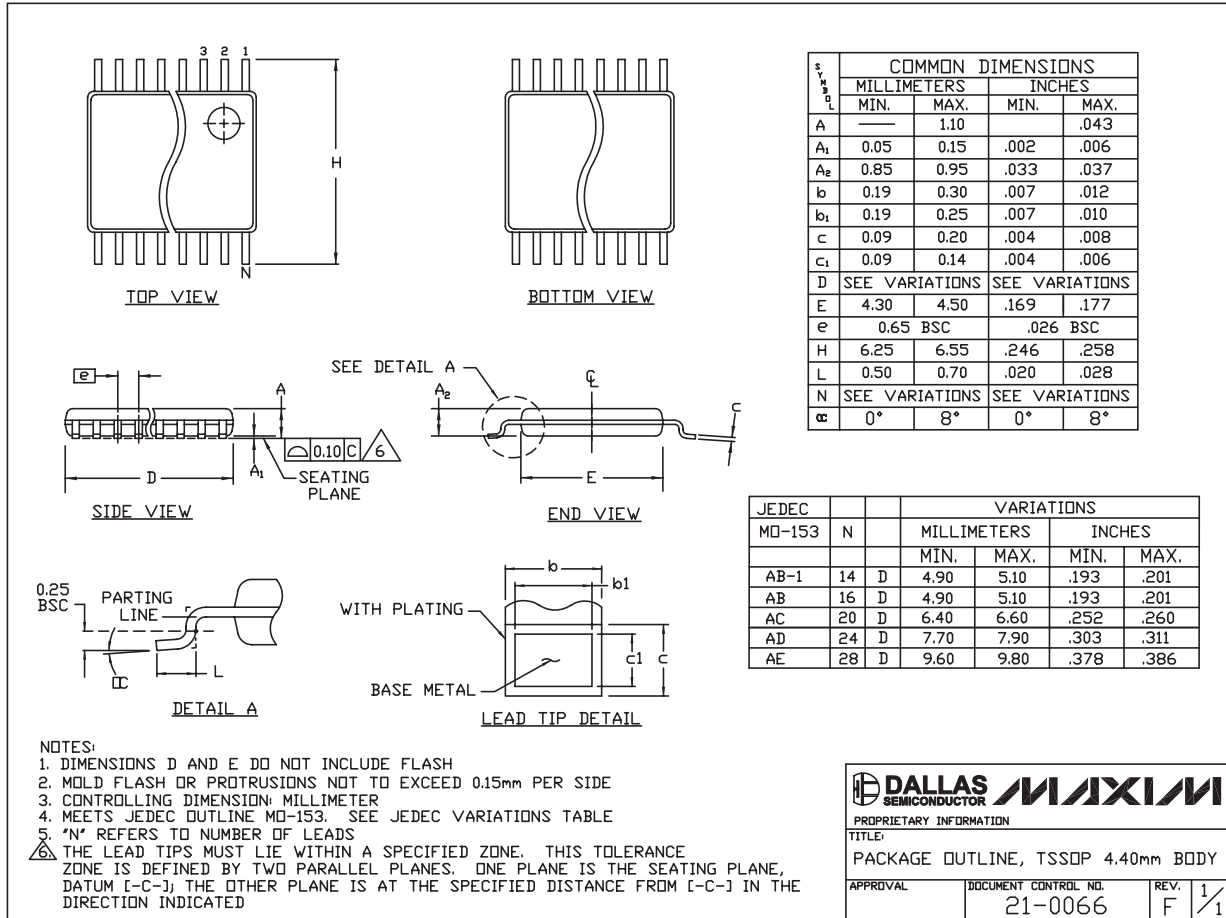
| PART      | TEMP RANGE      | PIN-PACKAGE    |
|-----------|-----------------|----------------|
| MAX307CPI | 0°C to +70°C    | 28 Plastic DIP |
| MAX307CWI | 0°C to +70°C    | 28 Wide SO     |
| MAX307C/D | 0°C to +70°C    | Dice*          |
| MAX307EPI | -40°C to +85°C  | 28 Plastic DIP |
| MAX307EWI | -40°C to +85°C  | 28 Wide SO     |
| MAX307EQI | -40°C to +85°C  | 28 PLCC        |
| MAX307EUI | -40°C to +85°C  | 28 TSSOP       |
| MAX307MJI | -55°C to +125°C | 28 CERDIP      |

\* Contact factory for dice specifications.

# Precision, 16-Channel/Dual 8-Channel, High-Performance, CMOS Analog Multiplexers

## Package Information

(The package drawing(s) in this data sheet may not reflect the most current specifications. For the latest package outline information go to [www.maxim-ic.com/packages](http://www.maxim-ic.com/packages).)

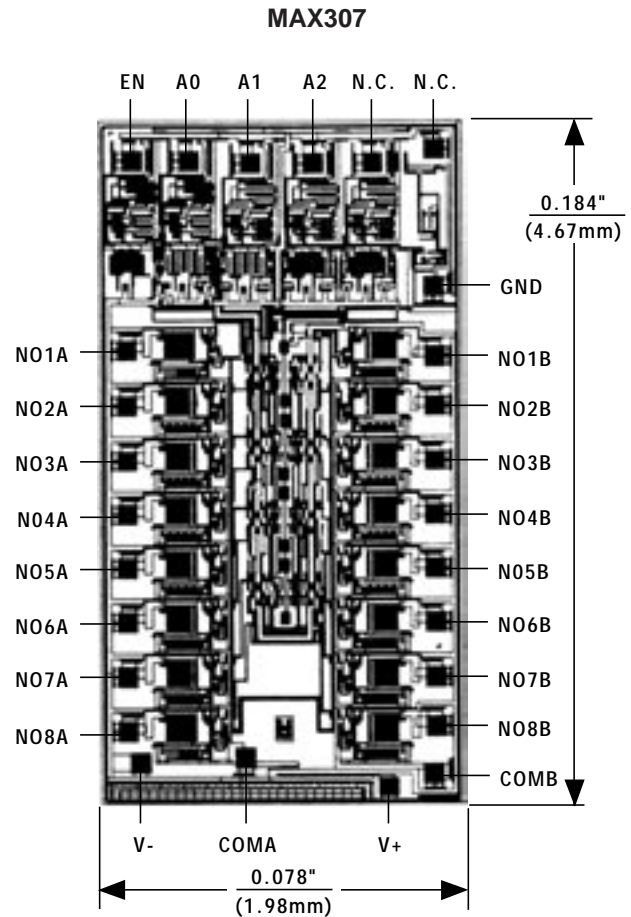
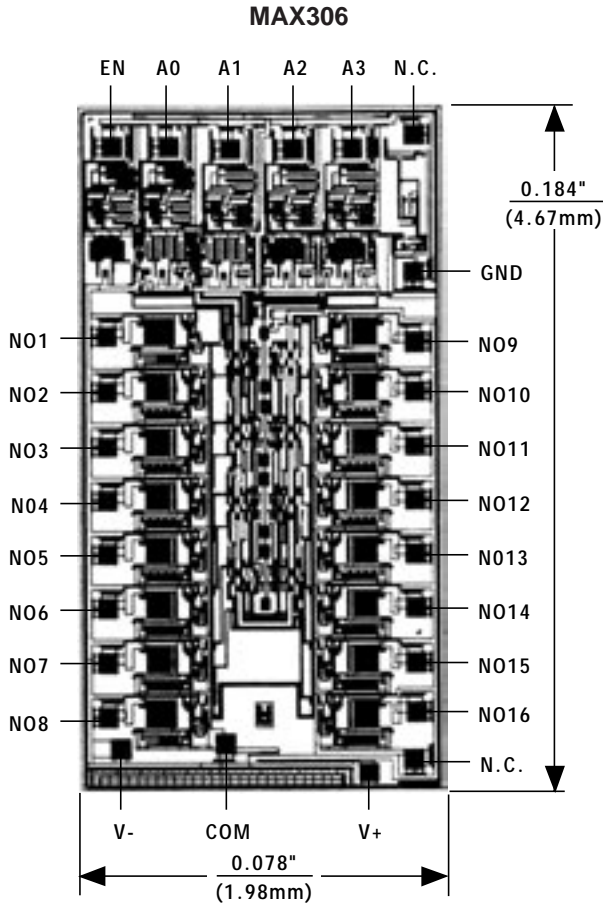


TSSOP4, 4.0mm EP5

# Precision, 16-Channel/Dual 8-Channel, High-Performance, CMOS Analog Multiplexers

Chip Topographies

MAX3306/MAX3307



N.C. = NO INTERNAL CONNECTION

TRANSISTOR COUNT: 269  
SUBSTRATE IS INTERNALLY CONNECTED TO V+

TRANSISTOR COUNT: 269  
SUBSTRATE IS INTERNALLY CONNECTED TO V+

Maxim cannot assume responsibility for use of any circuitry other than circuitry entirely embodied in a Maxim product. No circuit patent licenses are implied. Maxim reserves the right to change the circuitry and specifications without notice at any time.

Maxim Integrated Products, 120 San Gabriel Drive, Sunnyvale, CA 94086 408-737-7600 13